

| REVISIONS | | | | |
|-----------|------|------------------|----------|----------|
| ZONE | REV. | DESCRIPTION | DATE | APPROVED |
| A | | ORIGINAL RELEASE | 12/13/10 | |

Description:

Part Number 27002442 (Model Number PM2-30-812-25-15-SFF) is a 8 to 12 GHz low noise amplifier. This amplifier is supplied in our standard PE2 housing that can be used as a SMA connectorized or a surface mount component.

This model provides the following performance. Data is available upon request.

Specifications:

| | |
|--------------------|-----------------|
| Frequency Range: | 8 to 12 GHz |
| Gain: | 34dB Typ. |
| Gain Flatness: | +/- 1.25dB Max. |
| Noise Figure: | 3.0dB Max. |
| OP1dB: | +25dBm Min. |
| VSWR Input/Output: | 2.0:1 Max. |
| DC Voltage Supply: | +12 to +15VDC |
| DC Current Draw: | 760mA Max. |
| Connectors In/Out | SMA Female |

Features:

- Internal Voltage Regulation
- Unconditional Stability
- Standard Operating Temperature -55 to +85 Deg. C

Available Options:

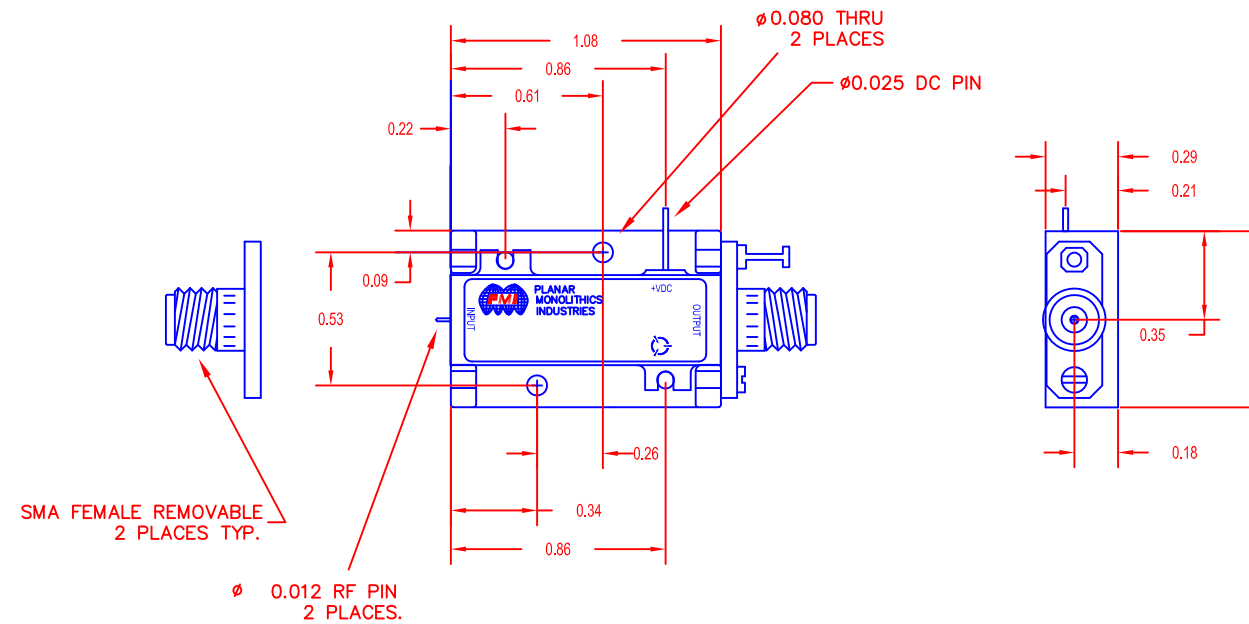
- Various Package types
- Various Connector types
- Temperature Compensation
- Gain and Phase Matching
- MIL-STD-883 Screening Available

Environmental Ratings:

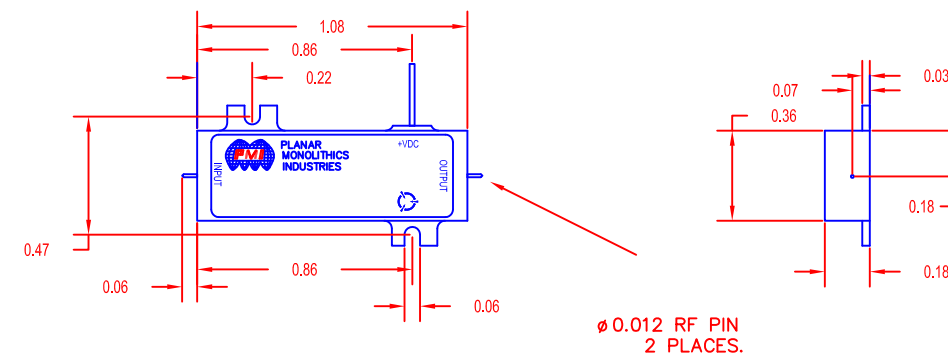
| | |
|--------------------|-----------------------------------|
| Temperature: | -55 to +85 Deg. C (Operating) |
| | -65 to +125 Deg. C (Storage) |
| Humidity: | MIL-STD-202F, METHOD 103B COND B. |
| Shock: | MIL-STD-202F, METHOD 213B COND B. |
| Altitude: | MIL-STD-202F, METHOD 105C COND B. |
| Temperature Cycle: | MIL-STD-202F, METHOD 107D COND A |

Note: The above specifications are subject to change or revision.

PE2 HOUSING WITH CARRIER



PE2 HOUSING WITHOUT CARRIER (SURFACE MOUNT)



UNLESS OTHERWISE SPECIFIED
DIMENSIONS ARE IN INCHES
TOLERANCES ARE:
FRACTIONS DECIMALS ANGLES
 ± .XX ± 0.010 ±
 .XXX ± 0.005

| | | | |
|------------------------|----------|--|--------------------|
| PART NO. | | 7311-F GROVE ROAD FREDERICK, MARYLAND | |
| APPROVALS | DATE | TITLE | |
| DRAWN DPD | 3/9/10 | PE2 Series Amplifier | |
| Mod/Red SFK | 12/13/10 | PM2-30-812-25-15-SFF | |
| FINISH: GOLD PLATED | ISSUED | SIZE B | CAGE CODE 05XQ0 |
| DO NOT SCALE DRAWING | | DWG NO. 27002442 | REV. A |
| | | SCALE N/A | SHEET 1 OF 1 |