

REVISIONS				
ZONE	REV.	DESCRIPTION	DATE	APPROVED
A		ORIGINAL RELEASE	4/8/10	
B		ECN # 19-0159	9/12/19	

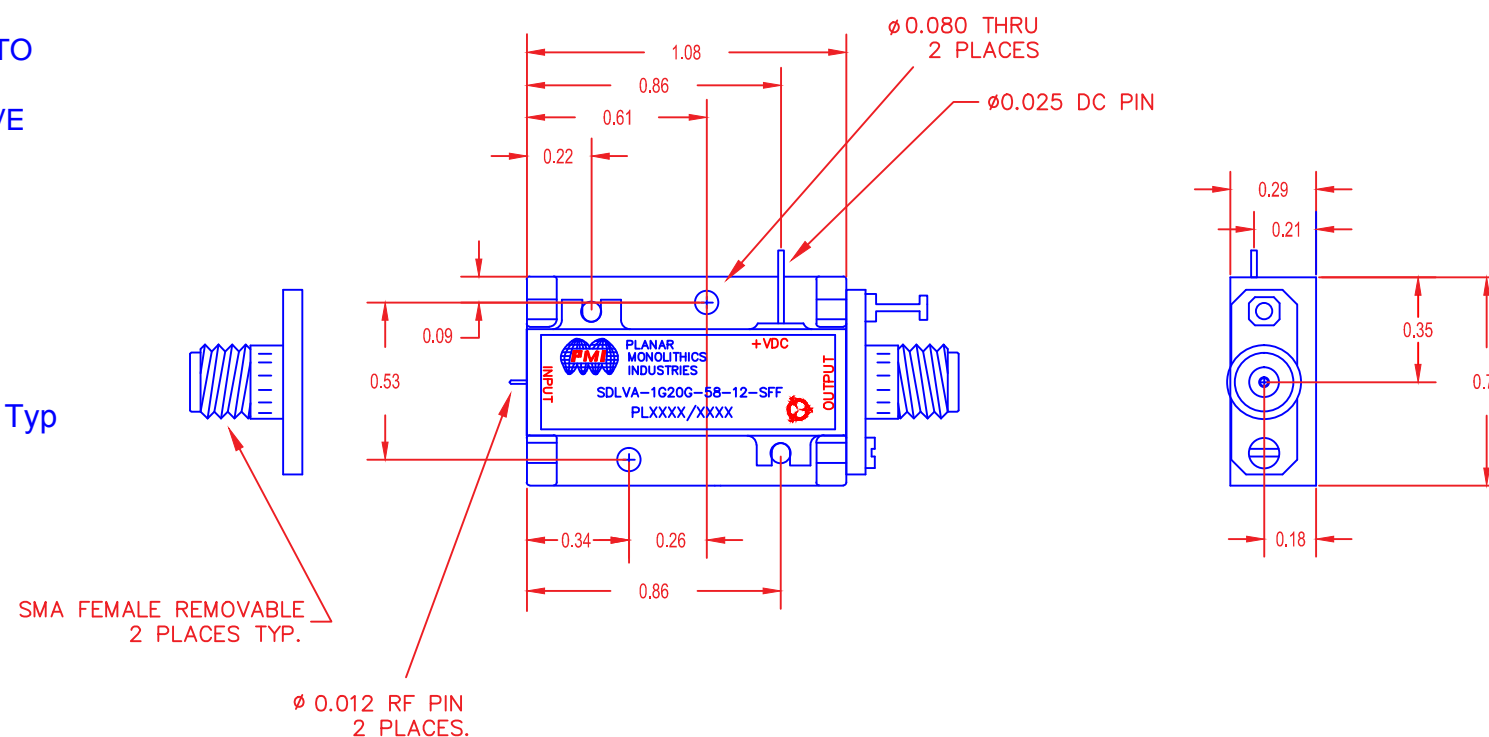
### Description:

Part Number 27312160 (Model Number SDLVA-1G20G-58-12-SFF) IS A MINIATURE SDLVA (SUCCESSIVE DETECTION LOG VIDEO AMPLIFIER) SUPPLIED IN OUR STANDARD PE2 HOUSING THAT CAN BE USED IN CONNECTORIZED OR STRIP LINE APPLICATIONS. IT OPERATES FROM 1.0 TO 20.0 GHz FREQUENCY RANGE, 60DB DYNAMIC RANGE, AND ULTRA HIGH SPEED. IT'S SIZE AND STUNNING PERFORMANCE MAKES IT AN ATTRACTIVE SOLUTION FOR HIGH SPEED, WIDE BAND AND HIGH RELIABILITY CHANNELIZED RECEIVER APPLICATIONS.

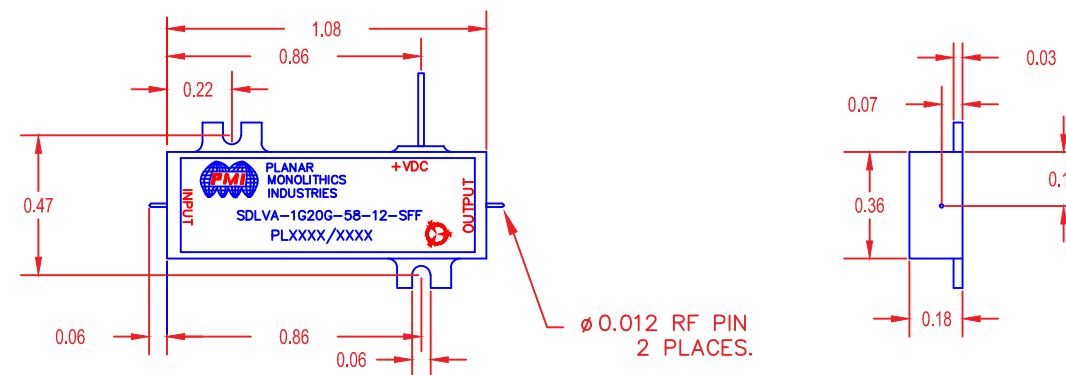
### Specifications:

Frequency Range:	1 to 20 GHz
Frequency Flatness:	± 2.0 dB
Log Linearity:	± 1.0 dB (Pin = -50 to 0 dBm) Typ
Log Linearity over Temp:	± 1.0 dB (Pin = -30 dBm @ -55°C to +85°C) Typ
Logging Range:	-54 to +5 dBm
Input VSWR:	3.0:1 Typ
Log Video Output Voltage:	0.9 to 1.5V Typ
Log Video Output Slope:	14 mV / dB Typ
Log Video Output Rise Time:	5 nS (Pin = -20 dBm @ 10% to 90%)
Log Video Output Fall Time:	20 nS (Pin = -20 dBm @ 90% to 10%)
Log Video Recovery Time:	28 nS (Pin = -50 to 0 dBm)
Log Video Propagation Delay:	15 nS
Tangential Signal Sensitivity:	- 60 dBm TSS Typ.
Video Output Load:	1K Minimum
Operating Voltage:	+12 to 15VDC
Operating Current:	100 mA Typ.

### PE2 HOUSING WITH CARRIER



### PE2 HOUSING WITHOUT CARRIER (SURFACE MOUNT)



### Environmental Ratings:

Temperature:	-55 to +85 Deg. C (Operating) -65 to +125 Deg. C (Storage)
Humidity:	MIL-STD-202F, METHOD 103B COND B.
Shock:	MIL-STD-202F, METHOD 213B COND B.
Altitude:	MIL-STD-202F, METHOD 105C COND B.
Temperature Cycle:	MIL-STD-202F, METHOD 107D COND A

Note: The above specifications are subject to change or revision.

UNLESS OTHERWISE SPECIFIED  
DIMENSIONS ARE IN INCHES  
TOLERANCES ARE:  
FRACTIONS DECIMALS ANGLES  
± .XX ± 0.010 ±  
.XXX ± 0.005

**PMI CONFIDENTIAL AND PROPRIETARY**

MATERIAL: 6061-T6 Aluminum	PART NO.		7311-F GROVE ROAD FREDERICK, MARYLAND
	APPROVALS	DATE	
FINISH: GOLD PLATED	DRAWN	DPD	4/8/10
	CHECKED		
DO NOT SCALE DRAWING	ISSUED		
	TITLE OUTLINE DRAWING SDLVA-1G20G-58-12-SFF		REV. B
SIZE B		CAGE CODE 05XQ0	DWG NO. 27012161
SCALE N/A		SHEET 1 OF 1	