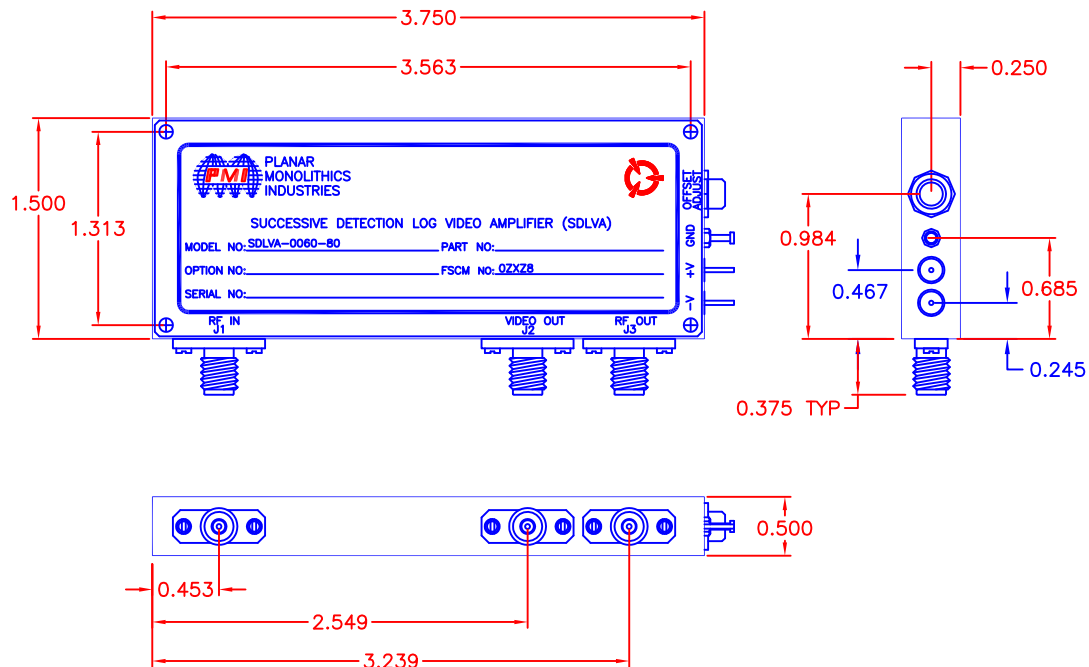


DESCRIPTION

PMI MODEL SDLVA-0060-80 IS A SUCCESSIVE DETECTION LOG VIDEO AMPLIFIER (SDLVA) DESIGNED TO OPERATE OVER THE 55 TO 65 MHz FREQUENCY RANGE. THIS UNIT HAS A DYNAMIC RANGE OF 80 dB TYPICAL, WITH A NOMINAL VIDEO BANDWIDTH OF 20 MHz. THIS UNIT IS DESIGNED USING MONOLITHIC TECHNOLOGY WHICH PROVIDES STUNNING PERFORMANCE AND RELIABILITY IN A COMPACT PACKAGE, MAKING IT AN OPTIMUM SOLUTION FOR HIGH SPEED CHANNELIZED RECEIVER APPLICATIONS. THIS UNIT OFFERS TYPICAL FAST RISE TIME ≤ 20 nSec, RAPID FALL TIME ≤ 30 nSec AS WELL AS SUPERIOR DELAY TIME OF 10 nSec.

SPECIFICATIONS

- FREQUENCY RANGE: 55 TO 65 MHz
- DYNAMIC RANGE: 80 dB TYPICAL
- VSWR IN/OUT: 1.5:1 MAXIMUM
- LOGGING RANGE: -80 TO 0 dBm TYPICAL
- LIMITED IF OUTPUT: 0 dBm TYPICAL
- MAXIMUM RF INPUT POWER: +10 dBm MAXIMUM
- LOG VIDEO OUTPUT:
 - OUTPUT COUPLING: DC
 - MAXIMUM OUTPUT VOLTAGE: 2.7 VOLTS
 - RISE TIME: 20 nSec MAXIMUM
 - FALL TIME: 30 nSec MAXIMUM
 - PULSE WIDTH: < 100 nSec MINIMUM
 - SLOPE: 25 mV/dB NOMINAL
 - LOG SLOPE VARIATION WITH TEMPERATURE: ± 1 mV MAXIMUM
 - PROPAGATION DELAY: 10 nSec TYPICAL
 - VIDEO LOAD: 100 Ω TYPICAL
- DC POWER SUPPLY:
 - +V: +15 VOLTS @ 100 mA
 - V: -15 VOLTS @ 190 mA
- SIZE: 3.75" x 1.50" x 0.50"



ENVIRONMENTAL RATINGS

- TEMPERATURE: -55°C TO +85°C (OPERATING)
..... -65°C TO +100°C (STORAGE)
- HUMIDITY: MIL-STD-202F, METHOD 103B COND. B
- SHOCK: MIL-STD-202F, METHOD 213B COND. B
- VIBRATION: MIL-STD-202F, METHOD 204D COND. B
- ALTITUDE: MIL-STD-202F, METHOD 105C COND. B
- TEMPERATURE CYCLE: MIL-STD-202F, METHOD 107D COND. A

NOTE: SPECIFICATIONS WILL VARY OVER OPERATING TEMPERATURE
NOTE: THE ABOVE SPECIFICATIONS ARE SUBJECT TO CHANGE OR REVISION

ALL DIMENSIONS ARE IN INCHES
TOLERANCES:
X.XX ± 0.010
X.XXX ± 0.005
WEIGHT: 2.75 oz.

REVISIONS				
ZONE	REV.	DESCRIPTION	DATE	APPROVED
	-	ORIGINAL RELEASE JOB# P312037N	9/15/04	

PLANAR MONOLITHICS INDUSTRIES, INC.

7311-G GROVE ROAD
FREDERICK, MARYLAND 21704 USA
TEL: 301-631-1579 FAX: 301-662-2029
WEBSITE: www.planarmonolithicsindustries.com
E-MAIL: sales@planarmonolithics.com
ISO 9001:2000 CERTIFIED



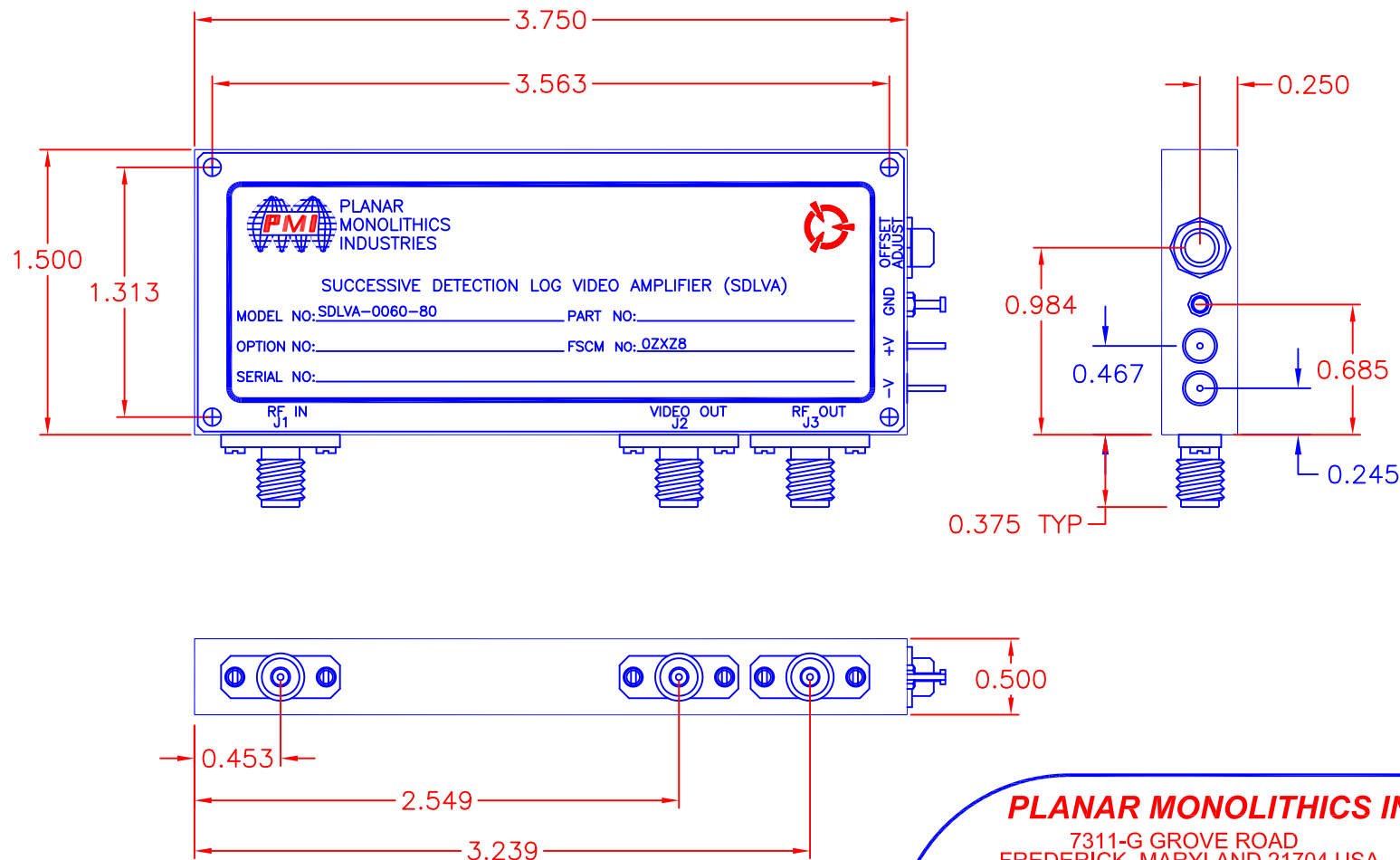
APPROVALS		DATE	TITLE			
DRAWN <i>JDJ</i>		9/15/04	PRODUCT FEATURE SDLVA-0060-80 55 TO 65 MHz, DC-COUPLED SUCCESSIVE DETECTION LOG VIDEO AMPLIFIER			
CHECKED			SIZE	FSCM NO.	DWG NO.	REV.
ISSUED			A	OZXXZ8	100-7119	-
			SCALE	N:S	SHEET	1 OF 3

DESCRIPTION

PMI MODEL SDLVA-0060-80 IS A SUCCESSIVE DETECTION LOG VIDEO AMPLIFIER (SDLVA) DESIGNED TO OPERATE OVER THE 55 TO 65 MHz FREQUENCY RANGE. THIS UNIT HAS A DYNAMIC RANGE OF 80 dB TYPICAL, WITH A NOMINAL VIDEO BANDWIDTH OF 20 MHz. THIS UNIT IS DESIGNED USING MONOLITHIC TECHNOLOGY WHICH PROVIDES STUNNING PERFORMANCE AND RELIABILITY IN A COMPACT PACKAGE, MAKING IT AN OPTIMUM SOLUTION FOR HIGH SPEED CHANNELIZED RECEIVER APPLICATIONS. THIS UNIT OFFERS TYPICAL FAST RISE TIME ≤ 20 nSec, RAPID FALL TIME ≤ 30 nSec AS WELL AS SUPERIOR DELAY TIME OF 10 nSec.

REVISIONS				
ZONE	REV.	DESCRIPTION	DATE	APPROVED
	-	ORIGINAL RELEASE JOB# P312037N	9/15/04	

MECHANICAL OUTLINE



ALL DIMENSIONS ARE IN INCHES
TOLERANCES:
X.XX ± 0.010
X.XXX ± 0.005
WEIGHT: 2.75 oz.

PLANAR MONOLITHICS INDUSTRIES, INC.

7311-G GROVE ROAD
FREDERICK, MARYLAND 21704 USA
TEL: 301-631-1579 FAX: 301-662-2029
WEBSITE: www.planarmonolithicsindustries.com
E-MAIL: sales@planarmonolithics.com
ISO 9001:2000 CERTIFIED



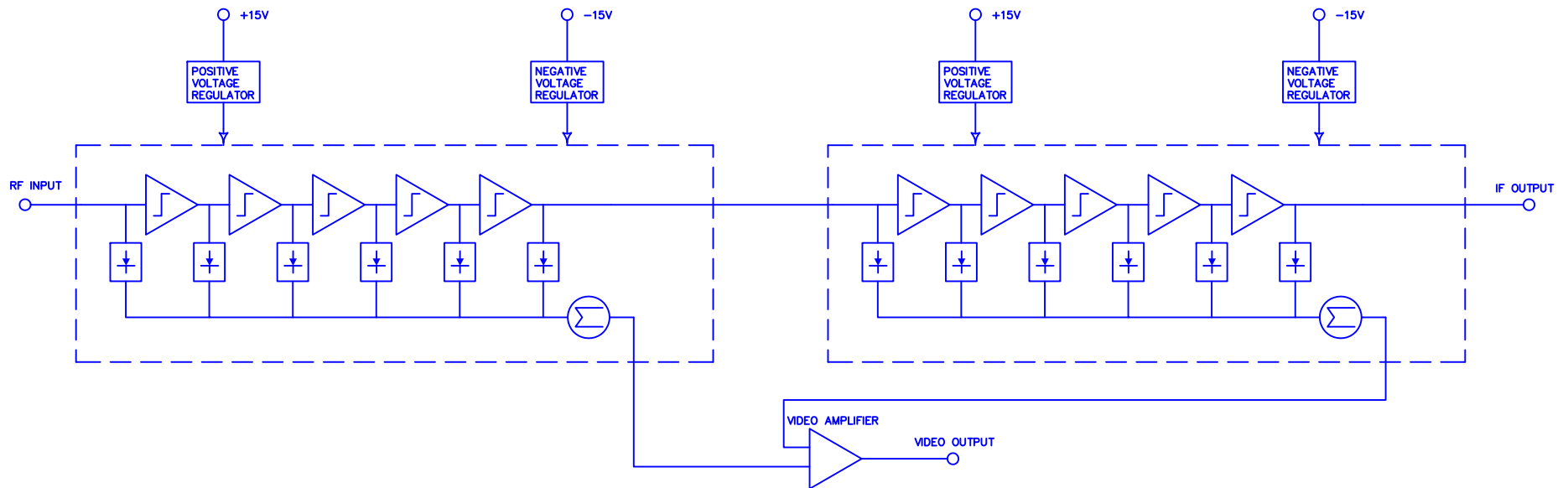
APPROVALS		DATE	TITLE			
DRAWN <i>JDJ</i>		9/15/04	MECHANICAL OUTLINE SDLVA-0060-80 55 TO 65 MHz, DC-COUPLED SUCCESSIVE DETECTION LOG VIDEO AMPLIFIER			
CHECKED			SIZE	FSCM NO.	DWG NO.	REV.
ISSUED			A	0ZXZ8	100-7119	-
			SCALE	N:S	SHEET	2 OF 3

DESCRIPTION

PMI MODEL SDLVA-0060-80 IS A SUCCESSIVE DETECTION LOG VIDEO AMPLIFIER (SDLVA) DESIGNED TO OPERATE OVER THE 55 TO 65 MHz FREQUENCY RANGE. THIS UNIT HAS A DYNAMIC RANGE OF 80 dB TYPICAL, WITH A NOMINAL VIDEO BANDWIDTH OF 20 MHz. THIS UNIT IS DESIGNED USING MONOLITHIC TECHNOLOGY WHICH PROVIDES STUNNING PERFORMANCE AND RELIABILITY IN A COMPACT PACKAGE, MAKING IT AN OPTIMUM SOLUTION FOR HIGH SPEED CHANNELIZED RECEIVER APPLICATIONS. THIS UNIT OFFERS TYPICAL FAST RISE TIME ≤ 20 nSec, RAPID FALL TIME ≤ 30 nSec AS WELL AS SUPERIOR DELAY TIME OF 10 nSec.

REVISIONS				
ZONE	REV.	DESCRIPTION	DATE	APPROVED
	-	ORIGINAL RELEASE JOB# P312037N	9/15/04	
GECS, INC., MD				

FUNCTIONAL BLOCK DIAGRAM



PLANAR MONOLITHICS INDUSTRIES, INC.

7311-G GROVE ROAD
 FREDERICK, MARYLAND 21704 USA
 TEL: 301-631-1579 FAX: 301-662-2029
 WEBSITE: www.planarmonolithicsindustries.com
 E-MAIL: sales@planarmonolithics.com
 ISO 9001:2000 CERTIFIED



CONFIDENTIAL AND PROPRIETARY

APPROVALS		DATE	TITLE			
DRAWN <i>JDJ</i>		9/15/04	FUNCTIONAL BLOCK DIAGRAM SDLVA-0060-80 55 TO 65 MHz, DC-COUPLED SUCCESSIVE DETECTION LOG VIDEO AMPLIFIER			
CHECKED			SIZE	FSCM NO.	DWG NO.	REV.
ISSUED			A	OZXZ8	100-7119	-
			SCALE	N:S	SHEET	3 OF 3