

**DESCRIPTION:**

PMI MODEL NUMBER PDC-20M6G-18X-24-5D5-12U-SFF IS A 12U 19" RACKMOUNT CHASSIS CONTAINING 18 POWERED DIRECTIONAL COUPLERS COVERING 20 MHz TO 6 GHz. THE GAIN IN EACH THRU PATH IS 24 dB MINIMUM WITH 16 dB COUPLING ON EACH COUPLED PORT AND GREATER THAN 50 dB REVERSE ISOLATION.

**SPECIFICATIONS:**

- FREQUENCY RANGE: 20 MHz TO 6 GHz
- NUMBER OF PORTS: 54 (18 IN1 PORTS, 18 THRU PATH PORT2 PORTS, 18 COUPLED PORT3 PORTS)

- VSWR (ALL PORTS): 1.8 : 1 MAX
- MAX INPUT POWER (IN1, PORT2): +20 dBm MAX (WITH OR WITHOUT DC POWER)
- NOISE FIGURE: 5.5 dB MAX
- IN1 TO PORT2 GAIN: 24 dB MIN
- IN1 TO PORT2 GAIN FLATNESS: ±1.3 dB MAX
- PORT2 TO PORT3 COUPLING: -16 dB TYP
- IN1 TO PORT3 ISOLATION: 60 dB MIN
- PORT2 TO IN1 ISOLATION: 50 dB MIN
- PORT2 SATURATED OUTPUT POWER: +18.5 dBm MIN

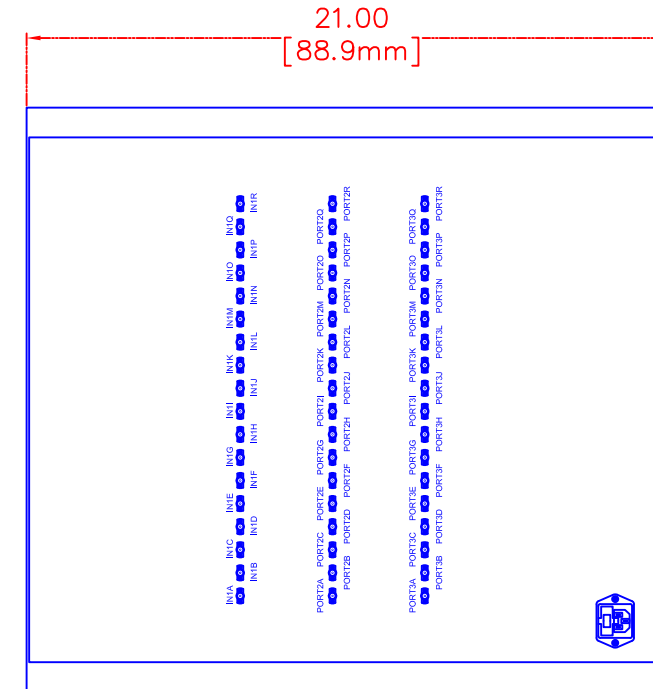
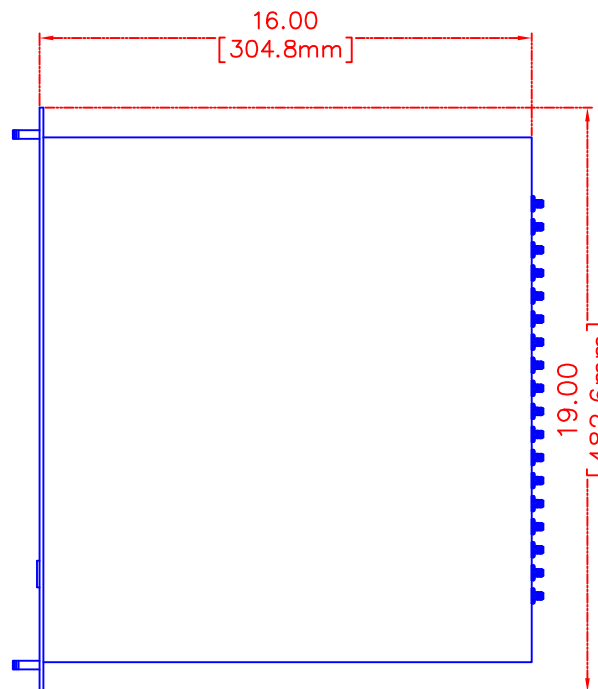
- CONNECTORS: SMA (F)
- POWER SUPPLY: 110VAC, 60 Hz  
FUSE PROTECTION INCLUDED

- SIZE: 12U (MAX) 19" RACKMOUNT CHASSIS
- FINISH: POWDER COATED BLUE

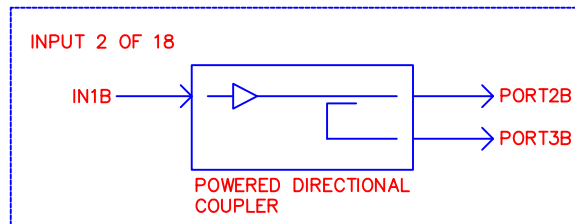
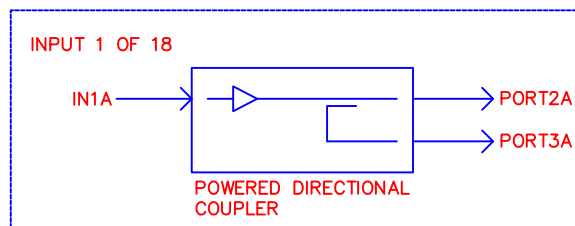
**ENVIRONMENTAL RATINGS:**

- OPERATING TEMPERATURE: 0° TO +75° C
- STORAGE TEMPERATURE: -50° TO +100° C

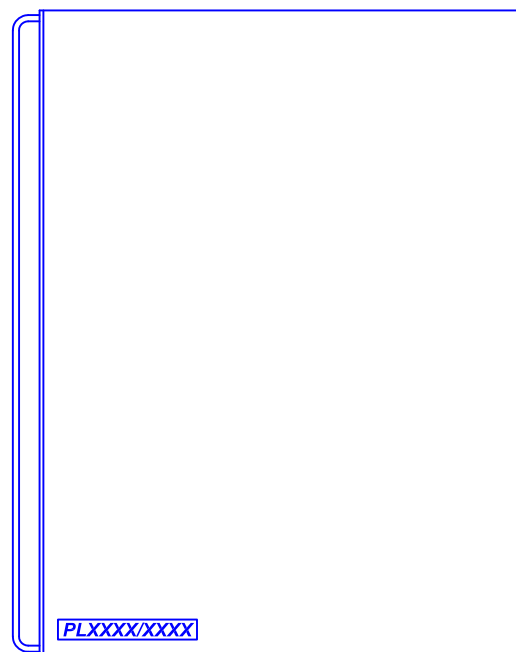
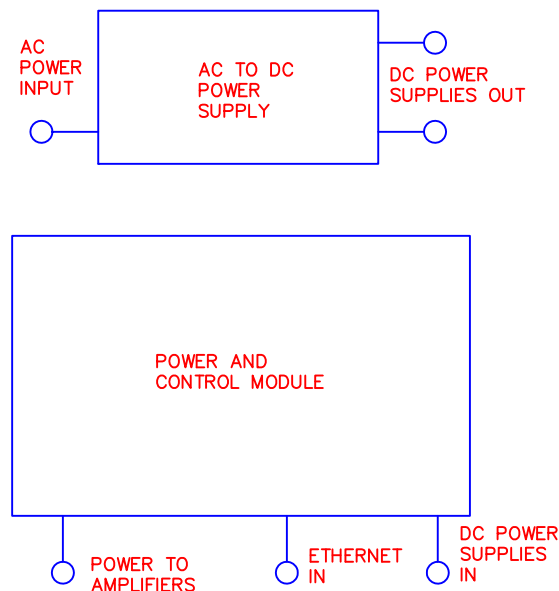
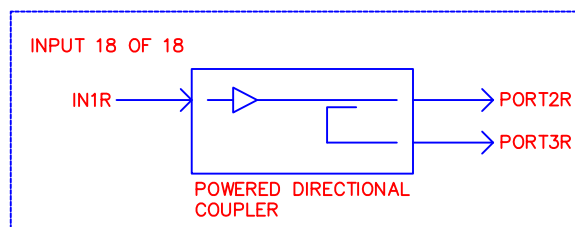
REVISIONS				
ZONE	REV.	DESCRIPTION	DATE	APPROVED
	1	PRELIMINARY	3/31/21	



**CONCEPTUAL BLOCK DIAGRAM:**



○  
○  
○



PMI CONFIDENTIAL AND PROPRIETARY

**PLANAR MONOLITHICS INDUSTRIES, INC.**

7311-F GROVE ROAD  
 FREDERICK, MARYLAND 21704 USA  
 TEL: 301-662-5019 FAX: 301-662-1731  
 WEBSITE: [www.pmi-rf.com](http://www.pmi-rf.com)  
 E-MAIL: [sales@pmi-rf.com](mailto:sales@pmi-rf.com)  
 ISO 9001 CERTIFIED



APPROVALS		DATE	TITLE	
DRAWN <i>DPD</i>		3/31/21	PRODUCT FEATURE	
CHECKED			PDC-20M6G-18X-24-5D5-12U-SFF	
ISSUED			SIZE B	FSCM NO. 05XQ0
			DWG NO.	PRELIMINARY
			SCALE N:S	REV. 1
				SHEET 1 OF 1

ALL DIMENSIONS ARE IN INCHES  
 TOLERANCES:  
 X.XX ±0.020  
 X.XXX ±0.010

NOTE: THE ABOVE SPECIFICATIONS ARE SUBJECT TO CHANGE OR REVISION