

Description:

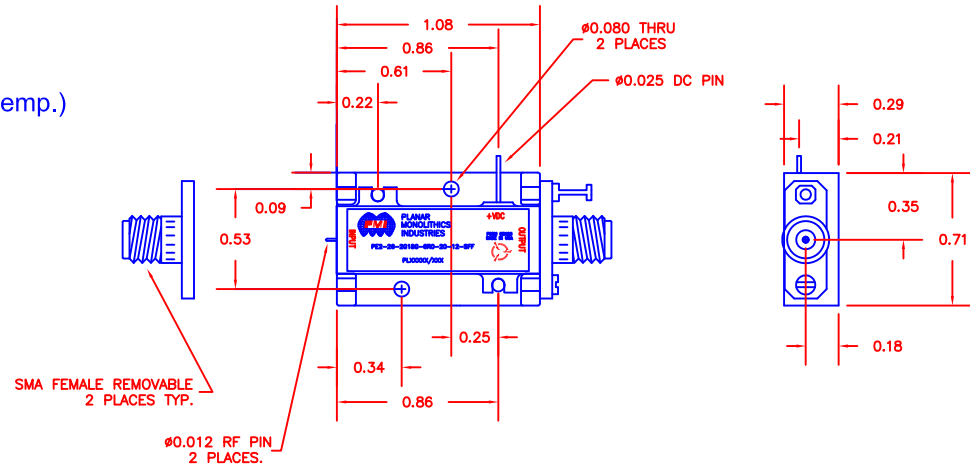
PMI Model Number: PE2-26-2G18G-6R0-20-12-SFF is a Low Noise Amplifier designed to operate over the frequency range 2.0GHz to 18.0GHz. This amplifier is supplied in our standard PE2 housing with SMA connectors. Electrical performance specifications as noted below.

REVISIONS				
ZONE	REV.	DESCRIPTION	DATE	APPROVED
	—	PRELIMINARY	11/29/17	

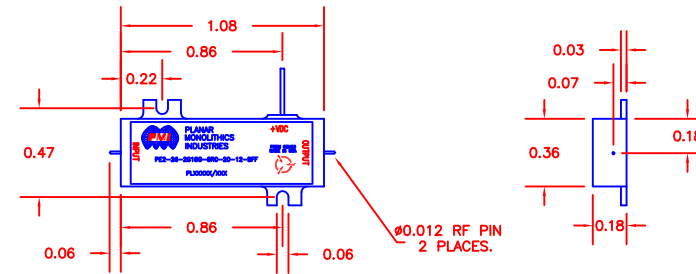
Specifications:

Frequency Range: 2.0 to 18.0 GHz
 Gain Window: 30dB Max / 24dB Min (Over Frequency & Temp.)
 Gain Variation vs Frequency: 2.5dB p-p Max at room Temp.
 Gain Variation vs Temperature: 4.0dB p-p Max at any frequency point.
 Noise Figure: 6.0dB Max at +60 Degrees C.
 OP1dB: 20dBm Min
 OIP2: 30dBm Min
 OIP3: 26dBm Min
 SHI (2nd Harmonic IP): 36dBm Min.
 RF Safe Input Power: 20dBm Min. CW (Cause No Damage)
 RF Safe Reflected Power: 20dBm Min. CW (Cause No Damage)
 VSWR Input/Output: 2.0:1 Max
 DC Voltage Supply: +12 to +15VDC
 DC Current Draw: 600mA Max
 Connectors In/Out: SMA Female
 Housing: PE2
 Finish: Gold Plated
 Sealing : Hermetic or Epoxy Sealed (Customer to Specify)
 Weight: 2 oz Max.

PE2 HOUSING WITH CARRIER



PE2 HOUSING WITHOUT CARRIER (SURFACE MOUNT)



Data Requirements:

Data is to be provided for Frequency Range, Gain Window, Gain Variation vs Frequency, P1dB, Input & Output VSWR and Current.

PMI CONFIDENTIAL AND PROPRIETARY

Environmental Ratings (GBNT):

Temperature: +5 to +85 Deg. C (Operating)
 -20 to +85 Deg. C (Storage)
 Humidity: Below 95%RH
 Shock: MIL-E-5100, 3.2.24.6.1 15G 11 +/-1 ms, 6 Directions
 Vibration: MIL-E-5400, 3.2.24.5 Fig. 2 (Sheet 1 of 3) Curve III

ALL DIMENSIONS ARE IN INCHES
 TOLERANCES:
 X.XX ±0.020
 X.XXX ±0.010

Note: The above specifications are subject to change or revision.

PLANAR MONOLITHICS INDUSTRIES, INC.

7311-F GROVE ROAD
 FREDERICK, MARYLAND 21704 USA
 TEL: 301-662-5019 FAX: 301-662-1731
 WEBSITE: www.pmi-rf.com
 E-MAIL: sales@pmi-rf.com
 ISO 9001 CERTIFIED



APPROVALS		DATE	TITLE		
DRAWN <i>JPH</i>		11/29/17	PRODUCT FEATURE PE2-26-2G18G-6R0-20-12-SFF		
CHECKED			SIZE A	FSCM NO. 05XQ0	DWG NO. PRELIMINARY
ISSUED			SCALE N:S		REV. —
				SHEET	1 OF 1