

Description:

PEC2-3D1G3D5G-60-10DBM-LM-SFF is an Integrated RF module that contains an input limiter, limiting amplifier, and output fixed attenuator which is designed for Military and Industrial applications. This module is supplied in a SMA connectorized housing.

This model provides the following performance.

Specifications:

Frequency Range: 3.1 to 3.5 GHz
 Input Power: -61 to +30dBm CW Min.
 Output Power: +8.0dBm Min., +11dBm Max
 +/-1.0dB (over input power range)
 Noise Figure: 8dB typ.
 Spurious Rejection: -60dBc typ.
 Harmonic Rejection: -10dBc typ.
 VSWR Input/Output: 2.0:1 Max.
 DC Voltage Supply: +12 to +15VDC
 DC Current Draw: 460mA Typ.
 Connectors: SMA(F)
 Finish: Gold Plated

Features:

Internal Voltage Regulation
 Unconditional Stability

Available Options:

Various Package types
 Various Connector types
 Temperature Compensation
 Hermetic Sealing
 Gain and Phase Matching
 MIL-STD-883 Screening Available

Environmental Ratings:

Temperature: -55 to +85 Deg. C (Operating)
 -55 to +125 Deg. C (Storage)
 Humidity: MIL-STD-202F, METHOD 103B COND B.
 Shock: MIL-STD-202F, METHOD 213B COND B.
 Altitude: MIL-STD-202F, METHOD 105C COND B.
 Temperature Cycle: MIL-STD-202F, METHOD 107D COND A

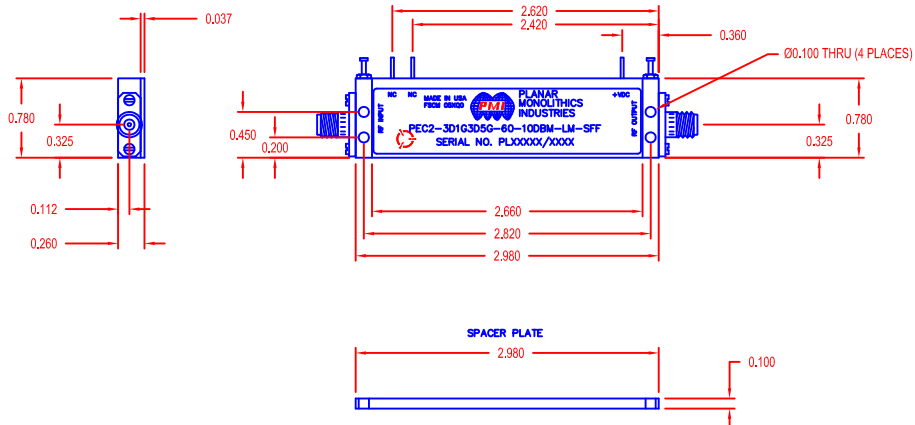
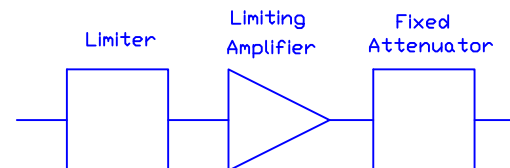
Note: The above specifications are subject to change or revision.

ALL DIMENSIONS ARE IN INCHES
 TOLERANCES:
 X.XX ±0.020
 X.XXX ±0.010

REVISIONS				
ZONE	REV.	DESCRIPTION	DATE	APPROVED
	-	PRELIMINARY	8/1/2017	

MECHANICAL OUTLINE

Functional Block Diagram



PMI CONFIDENTIAL AND PROPRIETARY

PLANAR MONOLITHICS INDUSTRIES, INC.

7311-F GROVE ROAD
 FREDERICK, MARYLAND 21704 USA
 TEL: 301-662-5019 FAX: 301-662-1731
 WEBSITE: www.pmi-rf.com
 E-MAIL: sales@pmi-rf.com
 ISO 9001 CERTIFIED



APPROVALS		DATE	TITLE		
DRAWN <i>JPH</i>		8/1/17	PRODUCT FEATURE PEC2-3D1G3D5G-60-10DBM-LM-SFF		
CHECKED			SIZE A	FSCM NO. 05XQ0	DWG NO. PRELIMINARY
ISSUED			SCALE N: S		REV. -
				SHEET	1 OF 1