

DESCRIPTION:

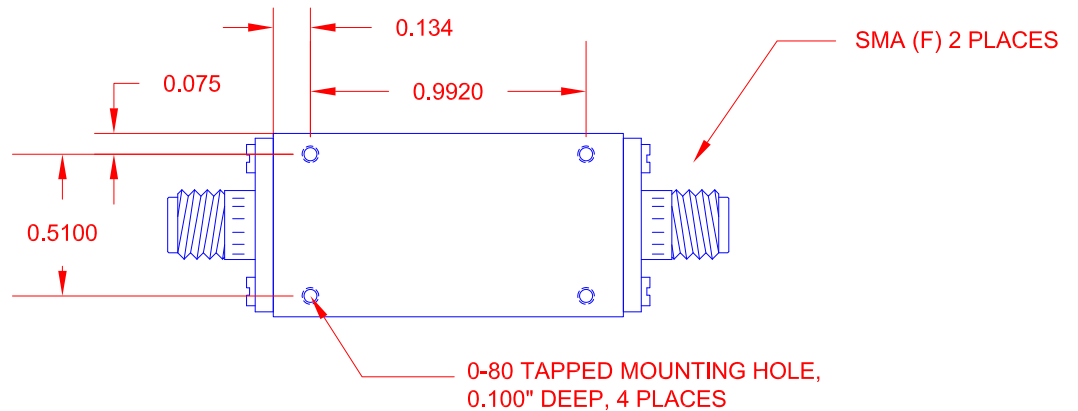
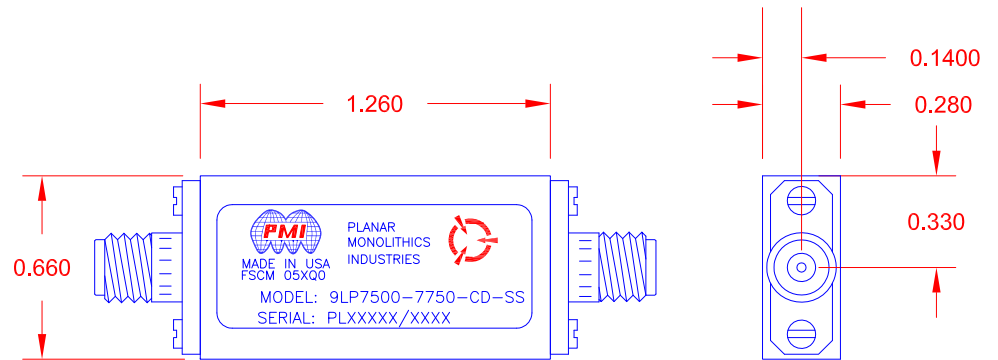
PMI model number 9LP7500-7750-CD-SS is a Lowpass filter with SMA female connectors in and out.

REVISIONS				
ZONE	REV.	DESCRIPTION	DATE	APPROVED
	A1	ORIGINAL RELEASE	6/29/20	
	B1	OUTLINE AND VSWR UPDATES	2/10/21	

SPECIFICATIONS:

- PASSBAND: 7500 MHz
- 3dB BANDWIDTH: 7750 MHz
- VSWR IN THE PASS BAND: 1.5:1 MAX.
- INSERTION LOSS (PASSBAND): 1.5 dB MAX.
- REJECTION AT 11 GHz: 60 dB MIN.
- REJECTION FROM 15 TO 24 GHz: 70 dB MIN.

- CONNECTORS: SMA FEMALE CONNECTORS
- SIZE: 1.26" (L) x 0.660" (W) x 0.28" (H)
- WEIGHT: 1 OZ. TYP.
- FINISH: PAINTED BLUE



PMI CONFIDENTIAL AND PROPRIETARY

ENVIRONMENTAL RATINGS:

- TEMPERATURE: -55°C TO +85°C (OPERATING)
-65°C TO +125°C (STORAGE)
- HUMIDITY: MIL-STD-202F, METHOD 103B COND. B
- SHOCK: MIL-STD-202F, METHOD 213B COND. B
- VIBRATION: MIL-STD-202F, METHOD 204D COND. B
- ALTITUDE: MIL-STD-202F, METHOD 105C COND. B
- SALT FOG: MIL-STD-202F, METHOD 107D COND. A
- FUNGUS: MIL-STD-810C, METHOD 508.2
- TEMPERATURE CYCLE: MIL-STD-202F, METHOD 107

ALL DIMENSIONS ARE IN INCHES
TOLERANCES:
X.XX ±0.010
X.XXX ±0.005

NOTE: THE ABOVE SPECIFICATIONS ARE SUBJECT TO CHANGE OR REVISION

PART NO.		PLANAR MONOLITHICS INDUSTRIES, INC. 7311-F GROVE ROAD FREDERICK, MARYLAND 21704 USA TEL: 301-662-5019 FAX: 301-662-1731 WEBSITE: www.pmi-rf.com E-MAIL: sales@pmi-rf.com ISO 9001 CERTIFIED			
APPROVALS	DATE	TITLE			
DRAWN SPH	1/29/04	OUTLINE DRAWING 9LP7500-7750-CD-SS			
CHECKED		SIZE A	FSCM NO. 1QJWO	DWG NO. 27039080	REV. B1
ISSUED		SCALE N/A			SHEET 1 OF 1