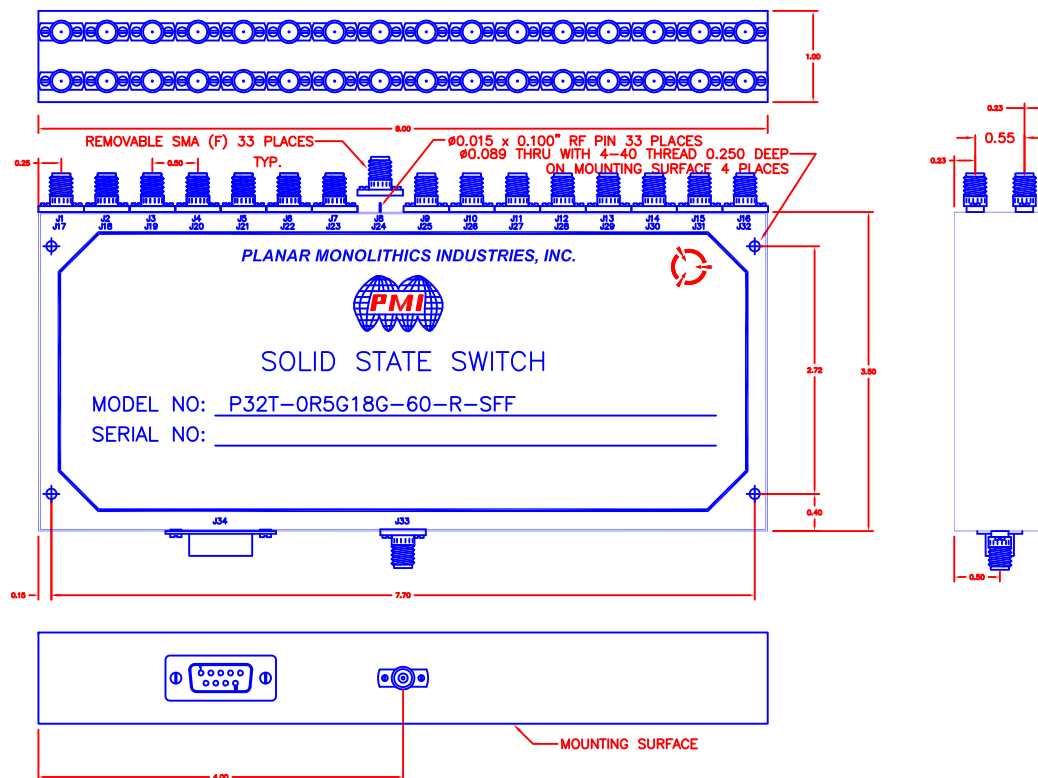


PMI MODEL NO. P32T-0R5G18G-60-R-SFF IS A REFLECTIVE, SINGLE POLE, THIRTY TWO THROW, HIGH SPEED SOLID-STATE SWITCH. THIS MODEL OFFERES LOW LOSS AND HIGH ISOLATION AND IS SUPPLIED IN A COMPANT HOUSING MEASURING ONLY 8.0" X 3.5" X 1.0".

REVISIONS				
ZONE	REV.	DESCRIPTION	DATE	APPROVED
	-	PRELIMINARY	12/16/12	

**SPECIFICATIONS:**

- FREQUENCY: 0.5 GHz TO 18 GHz
- INSERTION LOSS: 8.5dB MAX.
- ISOLATION: 0.5 GHz TO 2 GHz: 60dB MAX.  
2 GHz TO 18 GHz: 70dB MAX.
- VSWR: IN/OUT: 2.0:1 MAX.
- SPEED: 100NSEC MAX.
- POWER INPUT: 20dBm CW MAX. (OPERATING)
- SURVIVAL POWER: 1 WATT CW, 10 WATTS PEAK 1 usec
- CONTROL: TTL LOGIC "0"=ON "1"=OFF
- POWER SUPPLY: +5V @ 1.6 A MAX.  
-5V @ 200mA MAX.
- FINISH: PAINTED BLUE



PIN OUT TABLE	
PIN NO.	FUNCTION
1	E1
2	E2
3	E3
4	E4
5	E5
6	N/C
7	+V
8	-V
9	GND

**ENVIRONMENTAL RATINGS:**

- TEMPERATURE: -55°C TO +85°C (OPERATING)  
-65°C TO +125°C (STORAGE)
- HUMIDITY: MIL-STD-202F, METHOD 103B COND. B
- SHOCK: MIL-STD-202F, METHOD 213B COND. B
- VIBRATION: MIL-STD-202F, METHOD 204D COND. B
- ALTITUDE: MIL-STD-202F, METHOD 105C COND. B
- TEMPERATURE CYCLE: MIL-STD-202F, METHOD 107D COND. A

NOTE: THE ABOVE SPECIFICATIONS ARE SUBJECT TO CHANGE OR REVISION

ALL DIMENSIONS ARE IN INCHES TOLERANCES:

X.XX ±0.020  
X.XXX ±0.010

**PLANAR MONOLITHICS INDUSTRIES, INC.**

7311-F GROVE ROAD  
FREDERICK, MARYLAND 21704 USA  
TEL: 301-662-5019 FAX: 301-662-1731  
WEBSITE: [www.pmi-rf.com](http://www.pmi-rf.com)  
E-MAIL: [sales@pmi-rf.com](mailto:sales@pmi-rf.com)  
ISO 9001:2000 CERTIFIED



APPROVALS		DATE	TITLE			
DRAWN <i>KM</i>		12/16/12	PRODUCT FEATURE P32T-0R5G18G-60-R-SFF 0.5 TO 18.0 GHz HIGH SPEED SWITCH 32 THROW			
CHECKED			SIZE	FSCM NO.	DWG NO.	REV.
ISSUED			A	05XQ0	PRELIMINARY	-
			SCALE	N:S	SHEET	1 OF 1