



Planar Monolithics Industries, Inc.

LCA Series Amplifiers

Amplifiers

Attenuators - Variable

DLVA & ERDLVA & SDLVA's

DTO's

Filters

Form, Fit & Function Products

Hybrids, Dividers & Couplers

IFM's & Frequency Discriminators

Integrated MIC/MMIC Modules

I/Q Vector Modulators

Limiters & Detectors

Log Amplifiers

Pulse & Bi-Phase Modulators

Phase Shifters

Rack & Chassis Mount Products

Receiver Front Ends

Single Sideband Modulators

SMT & QFN Products

Solid-State Switches

Switch Matrices

Switch Filter Banks

Threshold Detectors

USB Products

- * **Low Cost**
- * **High Quality**
- * **Internally Voltage Regulated / Reverse Voltage Protected**
- * **Swept Test Data and Plots Supplied with all amplifiers**
- * **Typical Delivery in 4 weeks ARO**

Ultra-Broadband

Model Number	Frequency Range (GHz)	Gain (dB)	Gain Flatness (±dB)	Noise Figure (dB)	OP1dB (dBm)	VSWR	DC Current @ +12 to +15VDC	Housing	Pricing
PUB-14-30M20G-14-LCA	0.03 - 20.0	14	2.5	3.0	14	2.0:1	75	PE2	Contact PMI for Pricing
PUB-15-30M20G-20-LCA	0.03 - 20.0	15	2.5	3.0	20	2.0:1	180	PE2	Contact PMI for Pricing
PUB-14-500M20G-14-LCA	0.5 - 20.0	14	1.75	3.0	14	2.0:1	75	PE2	Contact PMI for Pricing
PUB-15-500M20G-20-LCA	0.5 - 20.0	15	1.75	3.0	20	2.0:1	180	PE2	Contact PMI for Pricing

Broadband

Model Number	Frequency Range (GHz)	Gain (dB)	Gain Flatness (±dB)	Noise Figure (dB)	OP1dB (dBm)	VSWR	DC Current @ +12 to +15VDC	Housing	Pricing
PBB-10-218-16-LCA	2.0 - 18.0	10	1.75	4.0	16	2.0:1	75	PE2	Contact PMI for Pricing
PBB-15-218-20-LCA	2.0 - 18.0	15	2.0	3.0	20	2.0:1	180	PE2	Contact PMI for Pricing
PBB-20-218-16-LCA	2.0 - 18.0	20	2.0	4.0	16	2.0:1	150	PE2	Contact PMI for Pricing
PBB-28-218-20-LCA	2.0 - 18.0	28	2.5	3.0	20	2.0:1	250	PE2	Contact PMI for Pricing
PBB-15-220-12-LCA	2.0 - 20.0	15	1.75	3.0	12	2.0:1	75	PE2	Contact PMI for Pricing
PBB-28-220-12-LCA	2.0 - 20.0	28	2.25	3.0	12	2.0:1	150	PE2	Contact PMI for Pricing

Octave Band

Model Number	Frequency Range (GHz)	Gain (dB)	Gain Flatness (±dB)	Noise Figure (dB)	OP1dB (dBm)	VSWR	DC Current @ +12 to +15VDC	Housing	Pricing
POB-10-24-10-LCA	2.0 - 4.0	10	1.0	4.0	10	2.0:1	75	PE2	Contact PMI for Pricing
POB-15-24-15-LCA	2.0 - 4.0	15	1.0	3.5	15	2.0:1	75	PE2	Contact PMI for Pricing
POB-17-24-22-LCA	2.0 - 4.0	17	1.0	3.5	22	2.0:1	180	PE2	Contact PMI for Pricing
POB-28-24-15-LCA	2.0 - 4.0	28	1.25	3.5	15	2.0:1	150	PE2	Contact PMI for Pricing
POB-10-48-10-LCA	4.0 - 8.0	10	1.0	3.0	10	2.0:1	75	PE2	Contact PMI for Pricing
POB-15-48-15-LCA	4.0 - 8.0	15	1.0	3.0	15	2.0:1	75	PE2	Contact PMI for Pricing
POB-16-48-22-LCA	4.0 - 8.0	16	1.0	3.0	22	2.0:1	180	PE2	Contact PMI for Pricing
POB-28-48-15-LCA	4.0 - 8.0	28	1.25	3.0	15	2.0:1	150	PE2	Contact PMI for Pricing
POB-10-818-8-LCA	8.0 - 18.0	10	1.5	3.0	8	2.0:1	75	PE2	Contact PMI for Pricing
POB-15-818-13-LCA	8.0 - 18.0	15	1.5	3.0	13	2.0:1	75	PE2	Contact PMI for Pricing
POB-15-818-20-LCA	8.0 - 18.0	15	1.75	3.0	20	2.0:1	180	PE2	Contact PMI for Pricing
POB-28-818-13-LCA	8.0 - 18.0	28	1.75	3.0	13	2.0:1	150	PE2	Contact PMI for Pricing

Low Noise

Model Number	Frequency Range (GHz)	Gain (dB)	Gain Flatness (±dB)	Noise Figure (dB)	OP1dB (dBm)	VSWR	DC Current @ +12 to +15VDC	Housing	Pricing
PLN-18-12-15-LCA	1.0 - 2.0	18	1.0	1.5	15	2.0:1	65	PE2	Contact PMI for Pricing
PLN-17-110-15-LCA	1.0 - 10.0	17	1.5	2.0	15	2.0:1	65	PE2	Contact PMI for Pricing
PLN-18-24-15-LCA	2.0 - 4.0	18	1.0	1.5	15	2.0:1	65	PE2	Contact PMI for Pricing
PLN-17-48-15-LCA	4.0 - 8.0	17	1.25	1.75	15	2.0:1	65	PE2	Contact PMI for Pricing
PLN-32-68-2-LCA	6.0 - 8.0	32	1.25	1.0	2	2.0:1	40	PE2	Contact PMI for Pricing
PLN-32-810-2-LCA	8.0 - 10.0	32	1.25	0.8	2	2.0:1	40	PE2	Contact PMI for Pricing
PLN-25-812-10-LCA	8.0 - 12.0	25	1.0	1.8	10	2.0:1	75	PE2	Contact PMI for Pricing
PLN-30-1012-2-LCA	10.0 - 12.0	30	1.5	0.8	2	2.0:1	40	PE2	Contact PMI for Pricing

West Coast:

4921 Robert J. Mathews Pkwy, Suite 1
 El Dorado Hills, CA 95762 USA
 Tel: 916-542-1401 Fax: 301-662-1731

East Coast:

7311-F Grove Road
 Frederick, MD 21704 USA
 Tel: 301-662-5019 Fax: 301-662-1761

Assets of Hari, LLC (Formerly Genesis Microwave) Acquired by PMI

Email: sales@pmi-rf.com

Website: www.pmi-rf.com

ISO9001/2008 REGISTERED

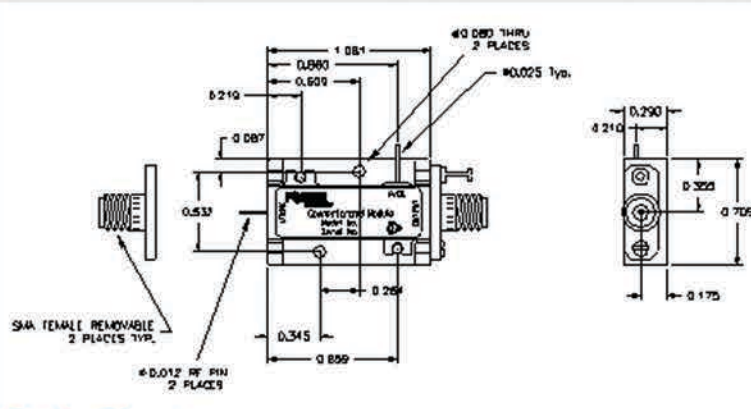


Planar Monolithics Industries, Inc.

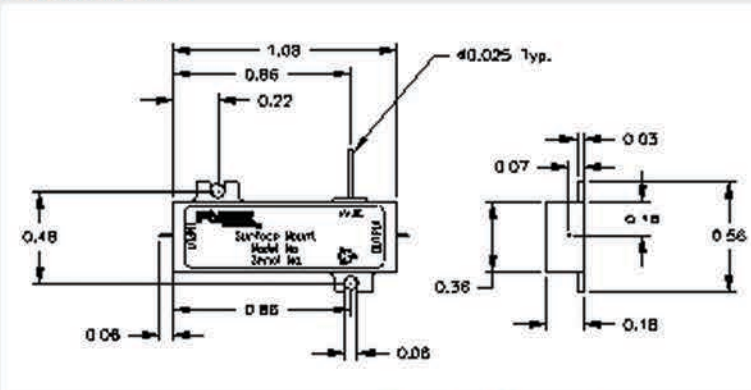
Outline Drawings

This standard housing can be used either as a connectorized module or in a surface mount configuration. All of the listed amplifiers are supplied with SMA female connectors and a mounting carrier and come fully assembled. The connectors and mounting carrier are easily removed and this allows the amplifier to be use in a surface mount configuration. Outline drawings for both configurations are shown below.

Connectorized Module



Surface Mount



Ordering Information

Please order by model number. All specifications shown are typical. Planar Monolithics Industries holds the right to change any listed specifications without notice. Slight specification modifications may be available for an extra charge. Please specify any modifications or special testing requirements on the order. All listed items can be environmental screened for an extra charge. If required please specify at time of ordering.

Telephone orders are acceptable and processed immediately. Shipments can only be made upon receipt of a written purchase order either via e-mail or facsimile. Your order may be placed directly to the factory. All prices are FOB factory Frederick, Maryland 21704.

Warranty/Service

Planar Monolithics Industries warranties all parts and equipment of its manufacture to be free from defects in material and workmanship for a period of one (1) year after the delivery of the equipment to the original purchaser.

West Coast:

4921 Robert J. Mathews Pkwy, Suite 1
El Dorado Hills, CA 95762 USA
Tel: 916-542-1401 Fax: 301-662-1731

East Coast:

7311-F Grove Road
Frederick, MD 21704 USA
Tel: 301-662-5019 Fax: 301-662-1761

Assets of Hari, LLC (Formerly Genesis Microwave) Acquired By PMI

Email: sales@pmi-rf.com

Website: www.pmi-rf.com

ISO9001:2008 REGISTERED

Amplifiers

Attenuators - Variable

DLVA & ERDLVA &
SDLVA's

DTO's

Filters

Form, Fit & Function
Products

Hybrids, Dividers &
Couplers

IFM's & Frequency
Discriminators

Integrated MIC/MMIC
Modules

I/Q Vector Modulators

Limiters & Detectors

Log Amplifiers

Pulse & Bi-Phase
Modulators

Phase Shifters

Rack & Chassis Mount
Products

Receiver Front Ends

Single Sideband
Modulators

SMT & QFN Products

Solid-State Switches

Switch Matrices

Switch Filter Banks

Threshold Detectors

USB Products