

DESCRIPTION

PMI MODEL RFOC-811-QRC-DC-10 IS A FOUR-PORT DIRECTIONAL COUPLER FEATURING LOW VSWR, LOW INSERTION LOSS, AND GOOD DIRECTIVITY. IT IS DESIGNED FOR BROADBAND USE.

SPECIFICATIONS

- FREQUENCY RANGE: 8 TO 11 GHz
- COUPLING: 10 ± 1.25 dB
- FREQ. SENSITIVITY: ± 0.75 dB MAX.
- INSERTION LOSS: 0.60 dB MAXIMUM
- DIRECTIVITY: 15 dB MINIMUM
- VSWR: 1.35 : 1 MAX. FOR PRIMARY LINE
- POWER: 1.40 : 1 MAX. FOR SECONDARY LINE
 AVERAGE INCIDENT: 50 WATTS
 AVERAGE REFLECTED: 5 WATTS
 PEAK: 2K WATTS
- SIZE: 1.00" (L) x 0.60" (W) x 0.38" (H)

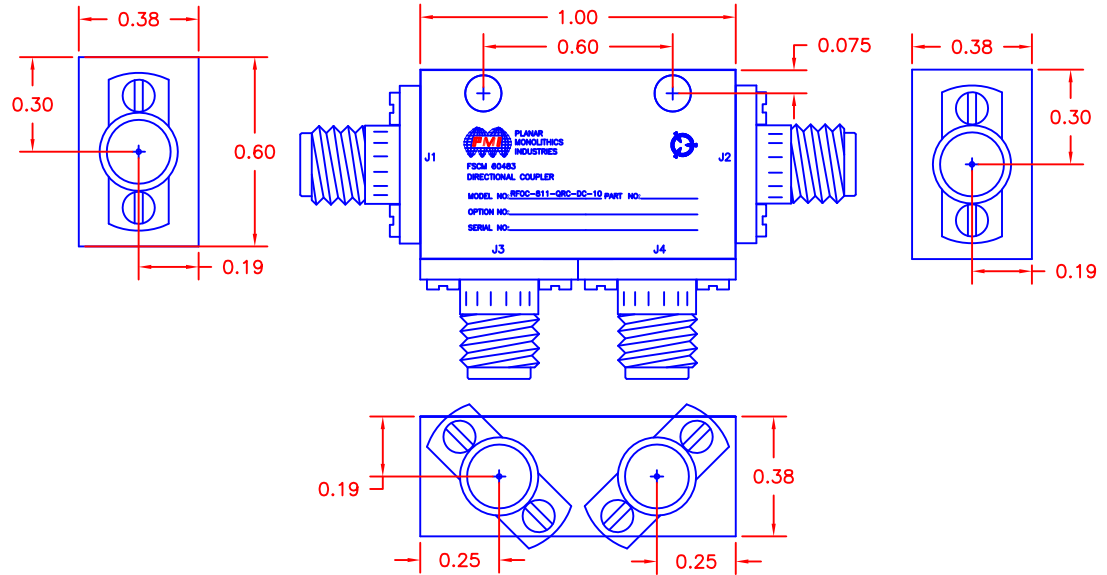
ENVIRONMENTAL RATINGS:

- TEMPERATURE: -55°C TO +85°C (OPERATING)
 -65°C TO +125°C (STORAGE)
- HUMIDITY: MIL-STD-202F, METHOD 103B COND. B
- SHOCK: MIL-STD-202F, METHOD 213B COND. B
- VIBRATION: MIL-STD-202F, METHOD 204D COND. B
- ALTITUDE: MIL-STD-202F, METHOD 105C COND. B
- TEMPERATURE CYCLE: MIL-STD-202F, METHOD 107D COND. A

NOTE: SPECIFICATIONS WILL VARY OVER OPERATING TEMPERATURE
 NOTE: THE ABOVE SPECIFICATIONS ARE SUBJECT TO CHANGE OR REVISION

ALL DIMENSIONS ARE IN INCHES
 TOLERANCES:
 X.XX ± 0.020
 X.XXX ± 0.010

REVISIONS				
ZONE	REV.	DESCRIPTION	DATE	APPROVED
	-	ORIGINAL RELEASE	11/29/05	



PLANAR MONOLITHICS INDUSTRIES, INC.

7311-G GROVE ROAD
 FREDERICK, MARYLAND 21704 USA
 TEL: 301-631-1579 FAX: 301-662-2029
 WEBSITE: www.planarmonolithicsindustries.com
 E-MAIL: sales@planarmonolithics.com
 ISO 9001:2000 CERTIFIED



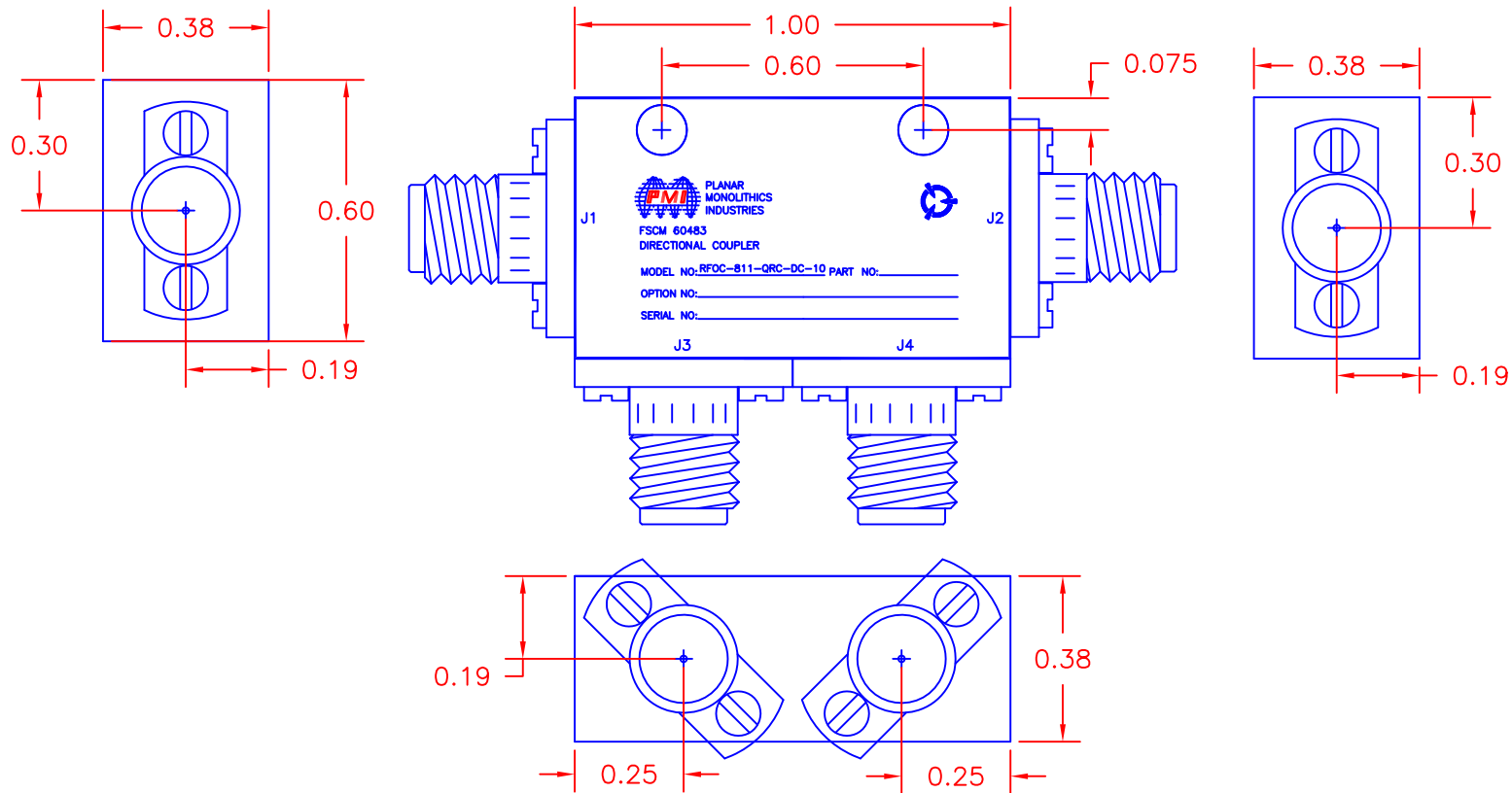
APPROVALS		DATE	TITLE			
DRAWN <i>YR</i>		11/29/05	PRODUCT FEATURE			
CHECKED			RFOC-811-QRC-DC-10			
ISSUED			8 TO 11GHz 10dB DIRECTIONAL COUPLER			
SIZE	FSCM NO.	DWG NO.	REV.			
A	OZXZ8	100-7551	-			
SCALE N:S			SHEET 1 OF 3			

DESCRIPTION

PMI MODEL RFOC-811-QRC-DC-10 IS A FOUR-PORT DIRECTIONAL COUPLER FEATURING LOW VSWR, LOW INSERTION LOSS, AND GOOD DIRECTIVITY. IT IS DESIGNED FOR BROADBAND USE.

REVISIONS				
ZONE	REV.	DESCRIPTION	DATE	APPROVED
	-	ORIGINAL RELEASE	11/29/05	

MECHANICAL OUTLINE



PLANAR MONOLITHICS INDUSTRIES, INC.

7311-G GROVE ROAD
 FREDERICK, MARYLAND 21704 USA
 TEL: 301-631-1579 FAX: 301-662-2029
 WEBSITE: www.planarmonolithicsindustries.com
 E-MAIL: sales@planarmonolithics.com
 ISO 9001:2000 CERTIFIED



ALL DIMENSIONS ARE IN INCHES
 TOLERANCES:
 X.XX ±0.020
 X.XXX ±0.010

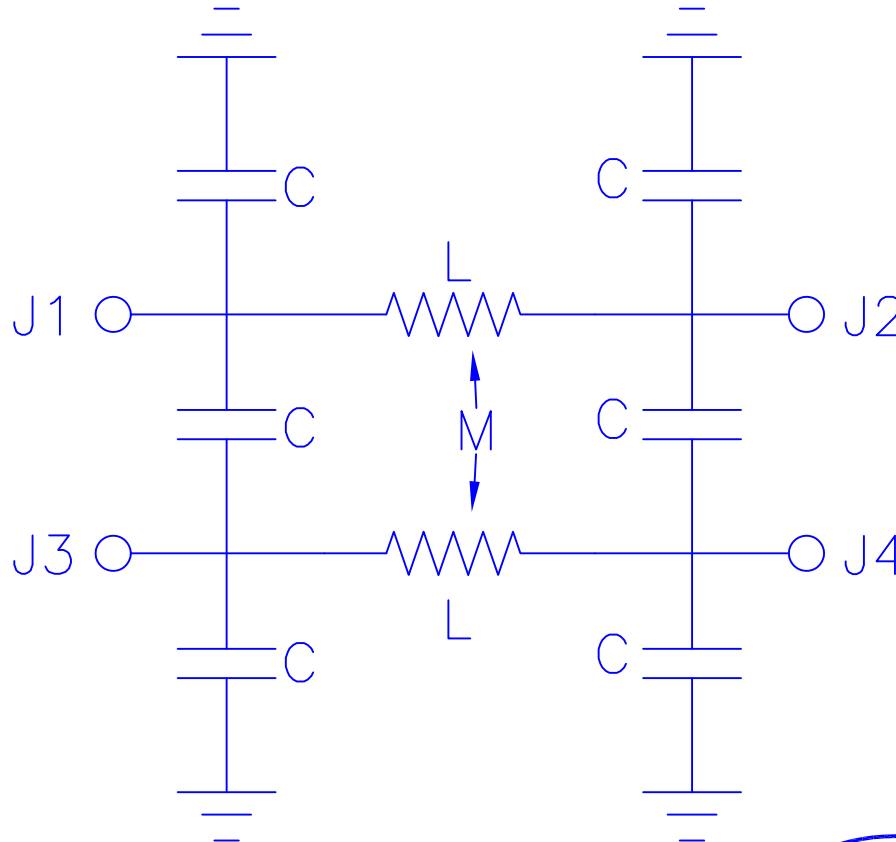
APPROVALS		DATE	TITLE		
DRAWN		11/29/05	MECHANICAL OUTLINE		
CHECKED			RFOC-811-QRC-DC-10		
ISSUED			8 TO 11GHz 10dB DIRECTIONAL COUPLER		
SIZE	FSCM NO.	DWG NO.	REV.		
A	OZXZ8	100-7551	-		
SCALE N:S		SHEET		2 OF 3	

DESCRIPTION

PMI MODEL RFOC-811-QRC-DC-10 IS A FOUR-PORT DIRECTIONAL COUPLER FEATURING LOW VSWR, LOW INSERTION LOSS, AND GOOD DIRECTIVITY. IT IS DESIGNED FOR BROADBAND USE.

REVISIONS				
ZONE	REV.	DESCRIPTION	DATE	APPROVED
	-	ORIGINAL RELEASE	11/29/05	

FUNCTIONAL BLOCK DIAGRAM



PLANAR MONOLITHICS INDUSTRIES, INC.

7311-G GROVE ROAD
 FREDERICK, MARYLAND 21704 USA
 TEL: 301-631-1579 FAX: 301-662-2029
 WEBSITE: www.planarmonolithicsindustries.com
 E-MAIL: sales@planarmonolithics.com
 ISO 9001:2000 CERTIFIED



CONFIDENTIAL AND PROPRIETARY

APPROVALS		DATE		TITLE			
DRAWN		11/29/05		FUNCTIONAL BLOCK DIAGRAM			
CHECKED		UR		RFOC-811-QRC-DC-10			
ISSUED				8 TO 11GHz 10dB DIRECTIONAL COUPLER			
SIZE	FSCM NO.	DWG NO.	REV.				
A	0ZXZ8	100-7551	-				
SCALE N:S			SHEET		3 OF 3		