

Low-Noise Amplifier, Model SLKa-18-4

Description:

Spacek Labs' Model SLKa-18-4 is a MMIC-based, low-noise amplifier which operates from 26.5 to 40 GHz. Input/output ports are 2.92 mm K(f) connectors. Noise figure is 2.5 dB (typ) with 21 dB of gain (typ). P1dB is 5 dBm (typ). Bias voltage is +8-12VDC.

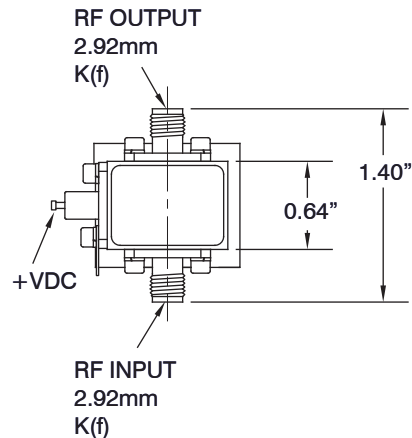
Features:

- Balanced Circuitry
- Unconditionally Stable
- Internal Voltage Regulator
- Heat Sink Included, Removable for Integration.



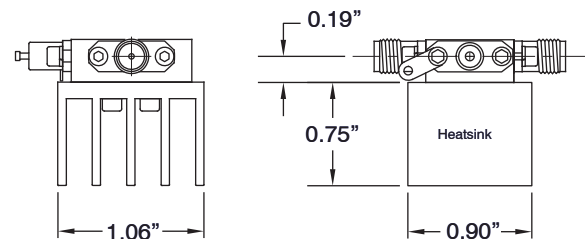
Electrical Specifications:

Description	Min.	Typ.	Max.
Frequency	26.5 GHz	-	40 GHz
Gain	17 dB	21 dB	-
Noise Figure	-	2.5 dB	3.5 dB
P-1dB	-	10 dBm	-
VSWR Input / Output	2.5:1 / 2.0:1 typ		
Bias Voltage	+8 to +12 VDC		
Current	95 mA		



Mechanical Specifications:

Description	Specification
Connectors I/O	2.92mm K(f) / 2.92mm K(f)
Dimensions OA	See outline
Material	Brass
Finish	Gold
Weight	1.5 oz



OUTLINE (NOT TO SCALE)

LOW-NOISE AMPLIFIERS