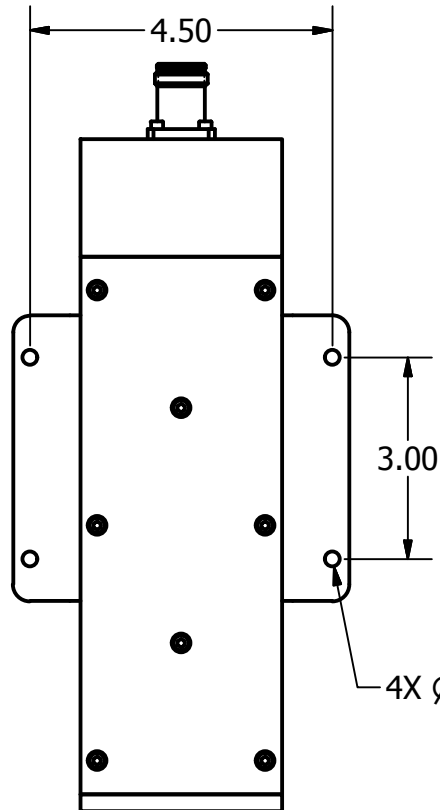
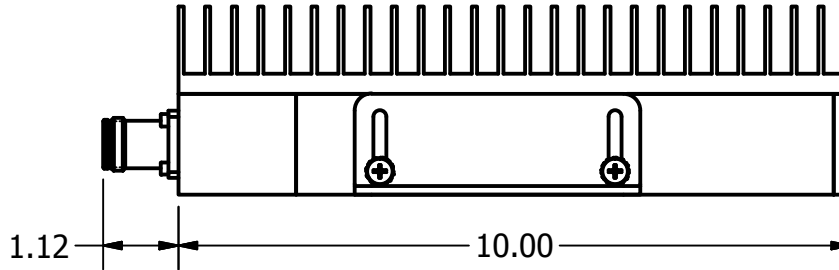
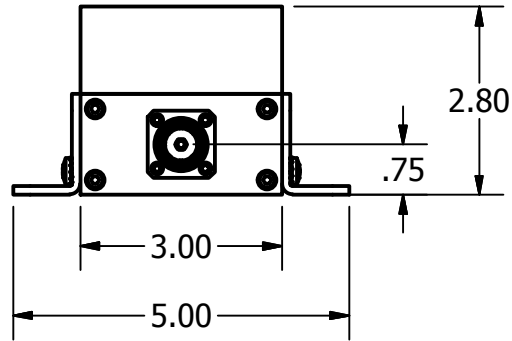



REVISION HISTORY				
ZONE	REV	DESCRIPTION	DATE	APPROVED
	1	ENGINEERING RELEASE	1/18/2023	DM
	2	ADDED WEIGHT SPEC	1/22/2025	DM
	3	ADDED RL FOR 600-698MHZ	7/18/2025	DM



SPECIFICATIONS:

FREQUENCY: 600-6000 MHz
 RETURN LOSS
 600-698MHz: 21 dB
 698-6000MHz: 23 dB
 PIM: 160 dBc
 POWER: 100W AVG.
 CONNECTOR: TYPE N, 7-16, 4.3-10.0,
 OR NEX10, MALE OR FEMALE
 FINISH: BLACK ANODIZED
 WEIGHT: 6.25 LBS
 ENVIRONMENTAL: IP67

CONNECTOR TABLE		
CONNECTOR TYPE	MALE	FEMALE
TYPE N	TA-A100NM	TA-A100NF
7-16	TA-A100DM	TA-A100DF
4.3-10	TA-A100D43M	TA-A100D43F
NEX10	TA-A100NXM	TA-A100NXF

DRAWN AK	4/28/2016	 R&D Microwaves LLC, USA
CHECKED		
QA		TITLE
MFG		TA-A100, 100W Low PIM Termination
APPROVED		SIZE
		A
		DWG NO
		TA-A100-OLrev3
		REV
		3
		SCALE
		SHEET 1 OF 1