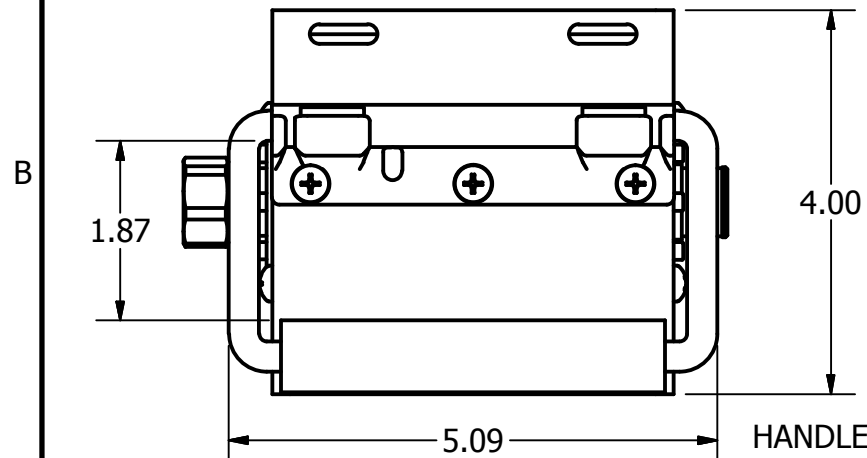
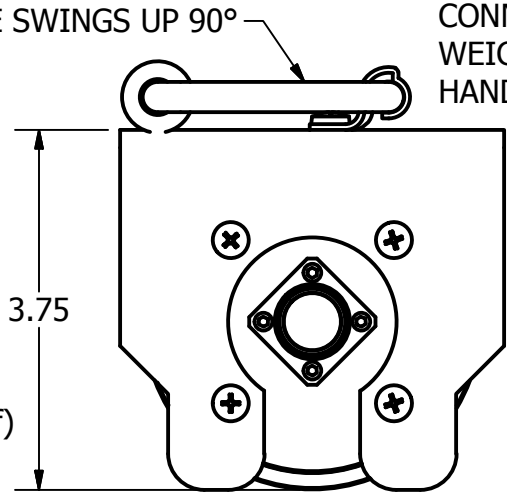
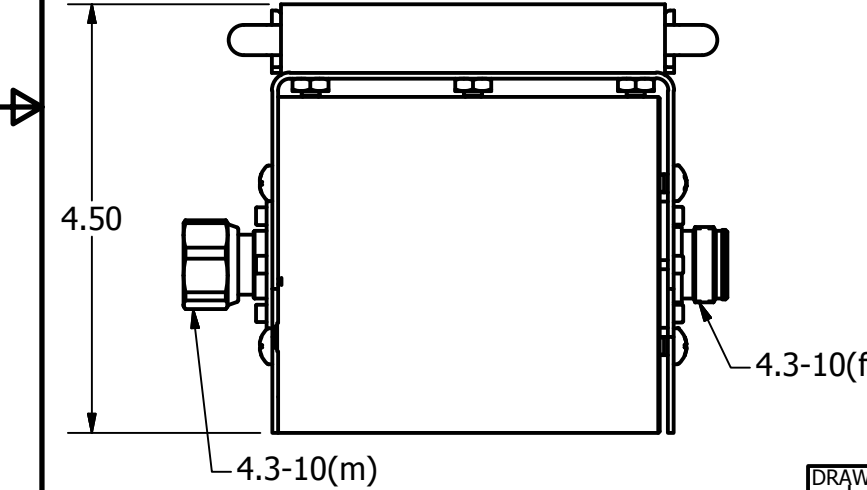


REVISION HISTORY				
ZONE	REV	DESCRIPTION	DATE	APPROVED
	1	ENGINEERING RELEASE	3/29/2021	DM
	2	ADDED HANDLE LOAD RATING	6/22/2021	DM



**SPECIFICATIONS:**


FREQUENCY: 380-6000 MHz  
 RETURN LOSS (GHz):  
 .38-.55: >18 dB  
 .55-.96: >20 dB  
 .96-2.7: >23 dB  
 2.7-3.8: >19 dB  
 3.8-6.0: >17 dB  
 PIM: 160 dBc  
 POWER: 100W AVG.  
 CONNECTOR: 4.3-10.0 male/female  
 WEIGHT: 4.75 LBS  
 HANDLE LOAD RATING: 850 LBF



HANDLE SWINGS UP 90°

PROPERTY OF R&D MICROWAVES LLC

0.025±0.005x45°-60°  
 Chamfer all tapped holes  
 UNLESS OTHERWISE SPECIFIED:  
 ALL UNITS ARE IN inches [mm]  
 TOLERANCE:  
 X.XX ±0.01  
 X.XXX ±0.005

DRAWN mclaughlind	3/29/2021		R&D Microwaves LLC, USA	
CHECKED			TITLE	
QA		TERMINATION WITH HANDLE, 100W		
MFG		SIZE A	DWG NO TA-A2343F43M-Hrev2	REV 2
APPROVED		SCALE 1:2	SHEET 1 OF 1	