

REVISION HISTORY				
ZONE	REV	DESCRIPTION	DATE	APPROVED
	1	ENGINEERING RELEASE	4/17/2025	DM
	2	CHANGED HOUSING, ADDED COOLING FANS	10/1/2025	DM

SPECIFICATIONS:

FREQUENCY: 100MHz TO 6GHz
 POWER: 1kW @ 1GHz MAX RATING
 PIM: 165dBc MIN
 RETURN LOSS: 23dB @ 1-3GHz
 20dB @ 3-4GHz
 16dB @ 4-6GHz
 CONNECTOR: 7-16 DIN(f),
 FRONT PANEL

TERMINATION

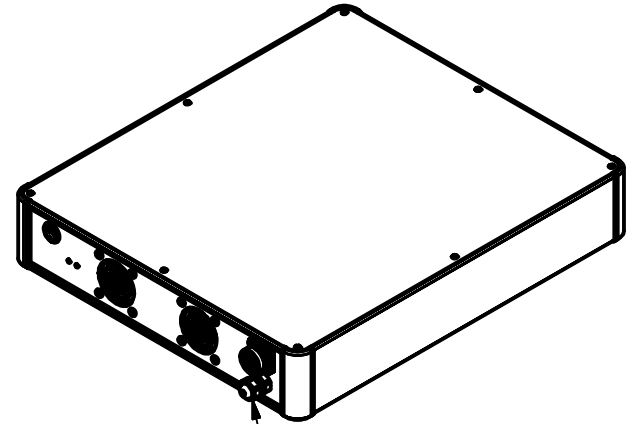
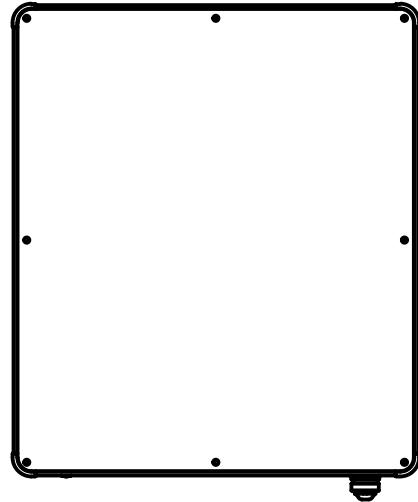
ELEMENT: LOW PIM BRAIDED CABLE,
 HOT TIN DIPPED COPPER
 BRAID (14in DIA. COIL
 FOR LOW PIM)

NON-MAGNETIC

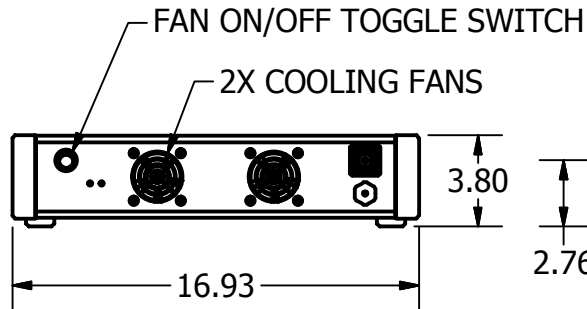
MATERIALS: COPPER, SILVER, TIN,
 TEFLON, BRASS, TRIPLATE

CASE MATERIAL: TREATED ALUMINUM

FAN POWER: 240 VAC, USES POWER CORD
 WITH CEE7/7 PLUG, FRONT
 PANEL



POWER CORD
 INPUT



FAN ON/OFF TOGGLE SWITCH

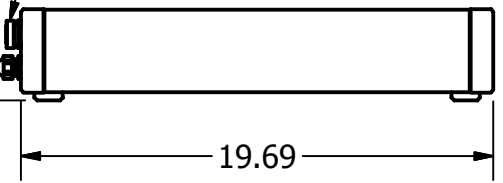
2X COOLING FANS

3.80

16.93

2.76

7/16 DIN(f) CONNECTOR



19.69

DRAWN mclaughlind	4/15/2025
ALL DIMENSIONS DERIVED FROM THE ELECTRONIC FILE ON THE SAME PLANE SHOULD BE WITHIN ± 0.005 FROM TRUE POSITION, UNLESS OTHERWISE NOTED	
PROPERTY OF R&D MICROWAVES LLC	



TITLE HIGH POWER FAN COOLED CABLE TERMINATION, 100MHz TO 6GHz			
SIZE A	DWG NO TA-B09DF-OLrev2	REV 2	
SCALE 1 : 8	SHEET 1 OF 1		