



Dynamic Engineers Inc.

2550 Gray Falls Dr., Suite#128, Houston, TX, 77077 USA
TEL: 1-281-870-8822 EMAIL: Sales@DynamicEng.com

H7 LC & 886 >!(\$\$A < n!5 !J
Pã @ cããã Á €ET P: ÁÔÝU

Features and Benefits

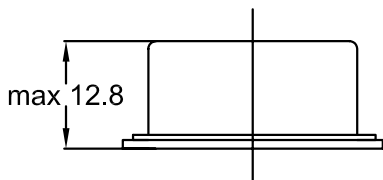
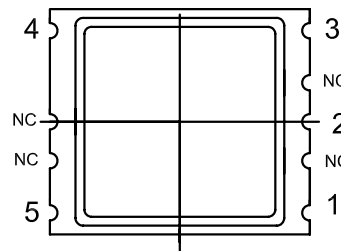
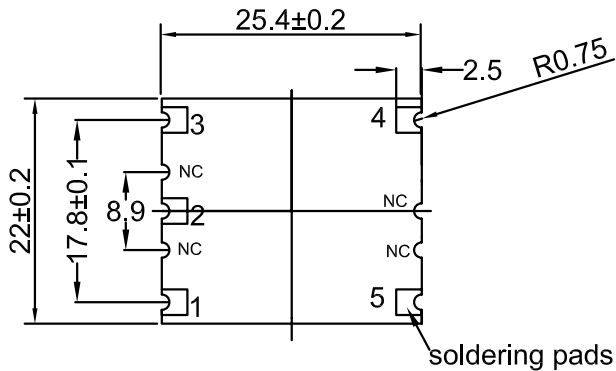
- High frequency stability (up to ±1ppm over -40°C to +85°C)
- Sinewave Output
- SMD Miniature package

Typical Applications

- Repeater
- Link and micro cells
- Low noise microwave

Mechanical Drawing & Pin Connections

Drawing No: MD% \$\$, , !&



Pin Function

#1	Control Voltage
#2	GND, Case
#3	Supply Voltage
#4	HF Output
#5	GND, Case

Unit in mm
1mm = 0.0394 inches



Dynamic Engineers Inc.

2550 Gray Falls Dr., Suite#128, Houston, TX, 77077 USA
 TEL: 1-281-870-8822 EMAIL: Sales@DynamicEng.com

H7 LC & 886 >!(\$\$A < n!5 !J
 Pã @ cããã Á €€ P: ÁÔÛ

Specifications

Oscillator Specification	Sym	Condition	Value			Unit	Note
			Min.	Typ.	Max.		
Operational Frequency	F _{nom}			400		MHz	
Output			Sinewave				
Output level			1.0 Vpp ... 2.0 Vpp				
Output load			50			ohm	
Subharmonic			-40			dBc	
Power Supply							
Voltage	V _{cc}	±5%		5.0		V	
Current Consumption					100	mA	
Slope / Linearity			Positive / 10%				
Control voltage			0.5 V to +4.5 V			V	
Frequency Stability							
Versus temperature		-40°C to +85°C			±1.0	ppm	
Total frequency stability		including frequency stability vs. temperature, vs. load changes ±10%, vs. supply voltage changes ±5% and 20 years aging @ +40°C			±5.0	ppm	
Tolerance at 25°C					±1.0	ppm	
Versus ±5% change in supply voltage					±0.1	ppm	
Versus ±10% change in load					±0.1	ppm	
Frequency correction		by external control voltage	±5.0			ppm	
First Year Aging		@40°C			±0.5	ppm	
20 th Year Aging		@40°C			±2.5	ppm	
Phase noise		1 KHz		-120		dBc/Hz	
		10 KHz		-135			
		100 KHz		-145			
		1MHz		-145			
		10MHz		-145			
Environmental Conditions							
Operating temperature range	-40°C to +85°C						
Storage temperature range	-45°C to +90°C						