



Typical Characteristics on BPF-3D55G4D4G-850M-SM

PMI MODEL NUMBER BPF-3D55G4D4G-850M-SM IS A BANDPASS FILTER WITH A 1 dB BANDWIDTH OF 850 MHz MINIMUM COVERING 3550 TO 4400 MHz. THE FILTER IS BUILT IN A SURFACE MOUNT PACKAGE TO BE USED IN INTEGRATED MODULES.



Reported By: Dave Durbin

December 1, 2020



Typical Characteristics on BPF-3D55G4D4G-850M-SM

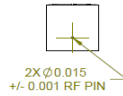
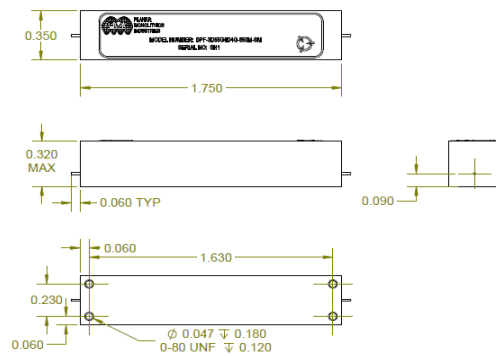
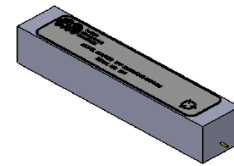
OUTLINE DRAWING

DESCRIPTION:
 PMI MODEL NUMBER BPF-3D55G4D4G-850M-SM IS A BANDPASS FILTER WITH A 1 dB BANDWIDTH OF 850 MHz MINIMUM COVERING 3550 TO 4400 MHz. THE FILTER IS BUILT IN A SURFACE MOUNT PACKAGE TO BE USED IN INTEGRATED MODULES.

DATE	REV	DESCRIPTION	DATE	APPROVED
	A1	ORIGINAL RELEASE	04/2002	
	B1	UPDATED SPECS	04/2002	
	C1	UPDATED SPECS	10/2002	

SPECIFICATIONS:

- 1 dB PASSBAND FREQUENCY RANGE:..... 3.55 GHz TO 4.4 GHz MIN
- PASSBAND BANDWIDTH:..... 850 MHz MIN
- PASSBAND VSWR:..... 1.5:1 TYP, 2.0:1 MAX
- PASSBAND INSERTION LOSS:..... 3.2 dB MAXIMUM
- REJECTION:
 - 0.1 TO 3.275 GHz:..... -60 dBc MINIMUM
 - 4.675 TO 6.0 GHz:..... -60 dBc MINIMUM
- CONNECTORS:..... DROP-IN FILTER, 0.015" DIAMETER RF PIN



ENVIRONMENTAL RATINGS:

- TEMPERATURE:..... -40°C TO +85°C (OPERATING)
 -65°C TO +125°C (STORAGE)

PMI CONFIDENTIAL AND PROPRIETARY

PREPARED BY: [] CHECKED BY: [] DATE: []		PART NO.: BPF-3D55G4D4G-850M-SM	
MATERIAL:		APPROVALS: [] DATE: []	
FINISH:		DESIGNER: D. DURBIN	
NEXT ASSY:		REVISION:	
USED ON:		PART TECH. NO.: 27035180	
APPLICATION:		SCALE: 2:1	

PLANAR MONOLITHICS INDUSTRIES, INC.
 7311-F GROVE ROAD
 FREDERICK, MARYLAND 21704 USA
 TEL: (301)662-5019 FAX: (301)662-1731
 WWW: WWW.PMI-RF.COM EMAIL: SALES@PMI-RF.COM

3650-4400 MHz BANDPASS FILTER
 BPF-3D55G4D4G-850M-SM

REV: B 05X20 27035180 PRET C1

SHEET 1 OF 1



Typical Characteristics on BPF-3D55G4D4G-850M-SM

SN1

SUMMARY TEST DATA ON 3.55 to 4.4 GHz Filter

Customer: _____ Tested By: D. Durbin
 SO No: _____ Temperature: +25°C
 Model No: 3.55 to 4.4 GHz Filter Date: 11/3/2020
 Serial No: SN1

TEST ITEM NO.	PARAMETERS	SPECIFIED VALUE	Test Results	QA QC
1	1 dB Passband	3.55 to 4.4 GHz MIN	3516 MHz - 4481 MHz	
2	Passband Bandwidth	850 MHz MIN	965.47 MHz	
3	Rejection	-60 dBc MIN DC - 3.275 GHz -60 dBc MIN 4.675 - 6.0 GHz	-65.56 dBc @ DC - 3.275 GHz -67.2 dBc @ 4.675 - 6.0 GHz	
4	Passband VSWR:	1.5:1 TYP, 2:1 MAX	1.4:1	
5	Insertion Loss (1 dB Passband):	3.2 dB MAX	-3.09 dB	

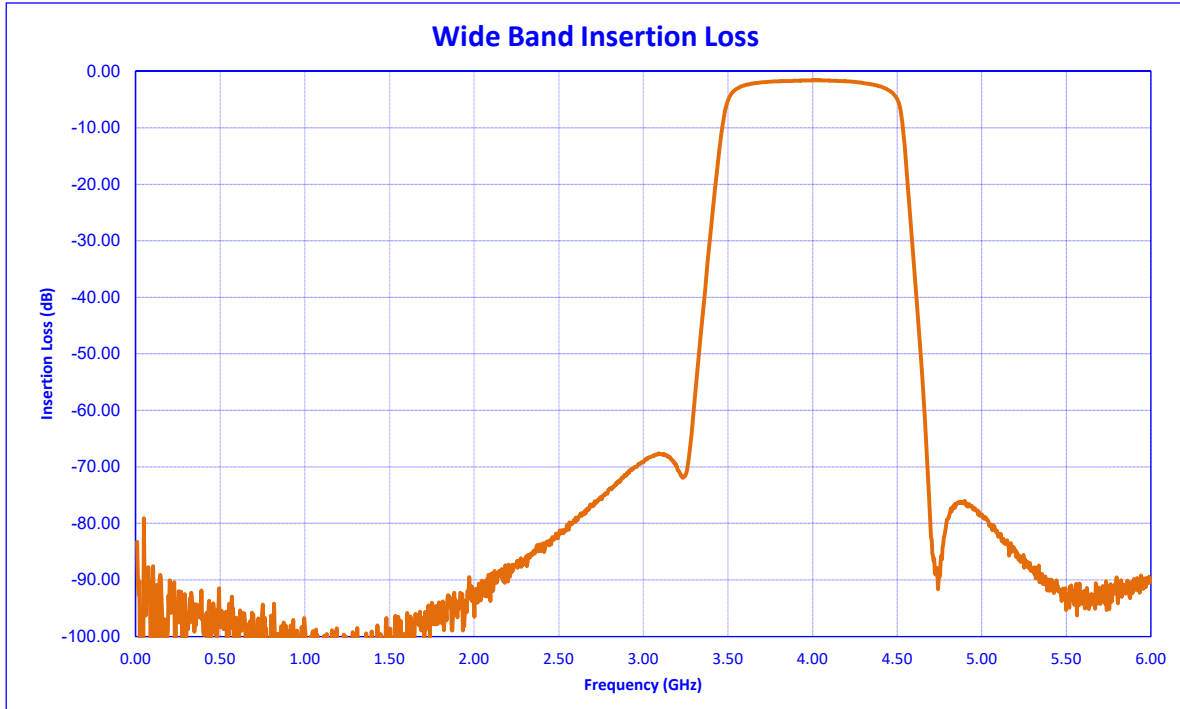
QA/QC Approval: _____ Date: _____

7311-F Grove Road Frederick, MD 21704 USA Phone: (301)662-5019 Fax: (301)662-1731
 Email: sales@pmi-rf.com



Typical Characteristics on BPF-3D55G4D4G-850M-SM

SN1





Typical Characteristics on BPF-3D55G4D4G-850M-SM

SN1

