



Typical Characteristics on BPF-3D55G4D4G-850M-SM-2

PMI MODEL NUMBER BPF-3D55G4D4G-850M-SM-2 IS A BANDPASS FILTER WITH A 1 dB BANDWIDTH OF 850 MHz MINIMUM COVERING 3550 TO 4400 MHz. THE FILTER IS BUILT IN A SURFACE MOUNT PACKAGE TO BE USED IN INTEGRATED MODULES.



Reported By: Dave Durbin

December 1, 2020



Typical Characteristics on BPF-3D55G4D4G-850M-SM-2

OUTLINE DRAWING

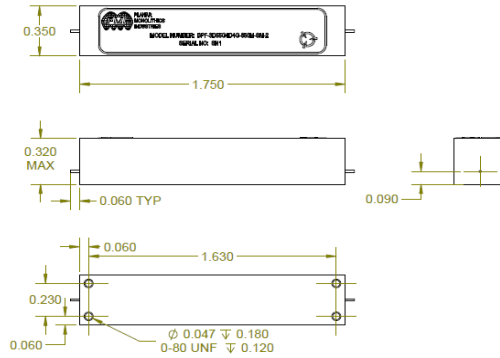
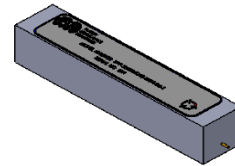
DESCRIPTION:

PMI MODEL NUMBER BPF-3D55G4D4G-850M-SM-2 IS A BANDPASS FILTER WITH A 1 dB BANDWIDTH OF 850 MHz MINIMUM COVERING 3550 TO 4400 MHz. THE FILTER IS BUILT IN A SURFACE MOUNT PACKAGE TO BE USED IN INTEGRATED MODULES.

ZONE	REV	DESCRIPTION	DATE	APPROVED
	A1	ORIGINAL RELEASE	1/15/00	
	B1	UPDATED SPECS	1/14/00	
	C1	UPDATED SPECS	10/19/00	

SPECIFICATIONS:

- 1 dB PASSBAND FREQUENCY RANGE:..... 3.55 GHz TO 4.4 GHz MIN
- PASSBAND BANDWIDTH:..... 850 MHz MIN
- PASSBAND VSWR:..... 1.5:1 TYP, 2.0:1 MAX
- PASSBAND INSERTION LOSS:..... 3.4 dB MAXIMUM
- REJECTION:
 - 0.1 TO 3.265 GHz:..... -60 dBc MINIMUM
 - 4.89 TO 6.0 GHz:..... -60 dBc MINIMUM
- CONNECTORS:..... DROP-IN FILTER, 0.015" DIAMETER RF PIN



ENVIRONMENTAL RATINGS:

- TEMPERATURE:..... -40°C TO +85°C (OPERATING)
-65°C TO +125°C (STORAGE)

MATERIAL		APPROVALS		DATE	TITLE
		D. DURBIN		10/1/00	3550-4400 MHz BANDPASS FILTER
					BPF-3D55G4D4G-850M-SM-2
NEXT ASSY	USED ON	ISSUED			REV
					C1
APPLICATION					SCALE: 2:1
					SHEET 1 OF 1

PMI CONFIDENTIAL AND PROPRIETARY

PLANAR MONOLITHICS INDUSTRIES, INC.
7311-F GROVE ROAD
FREDERICK, MD 21704 USA
TEL: (301)662-5019 FAX: (301)662-1731
WWW.PMI-RF.COM EMAIL: SALES@PMI-RF.COM



Typical Characteristics on BPF-3D55G4D4G-850M-SM-2

SN1

SUMMARY TEST DATA ON 3.55 to 4.4 GHz Filter

Customer: _____ Tested By: D. Durbin
 SO No: _____ Temperature: +25°C
 Model No: 3.55 to 4.4 GHz Filter Date: 10/13/2020
 Serial No: SN1

TEST ITEM NO.	PARAMETERS	SPECIFIED VALUE	Test Results	QA QC
1	1 dB Passband	3.55 to 4.4 GHz MIN	3577 MHz - 4414 MHz	
2	Passband Bandwidth	850 MHz MIN	837.13 MHz	
3	Rejection	-60 dBc MIN DC - 3.265 GHz -60 dBc MIN 4.89 - 6.0 GHz	-67.95 dBc @ DC - 3.265 GHz -61.42 dBc @ 4.89 - 6.0 GHz	
4	Passband VSWR:	1.5:1 TYP, 2:1 MAX	1.5:1	
5	Insertion Loss (1 dB Passband):	3.4 dB MAX	-3.07 dB	

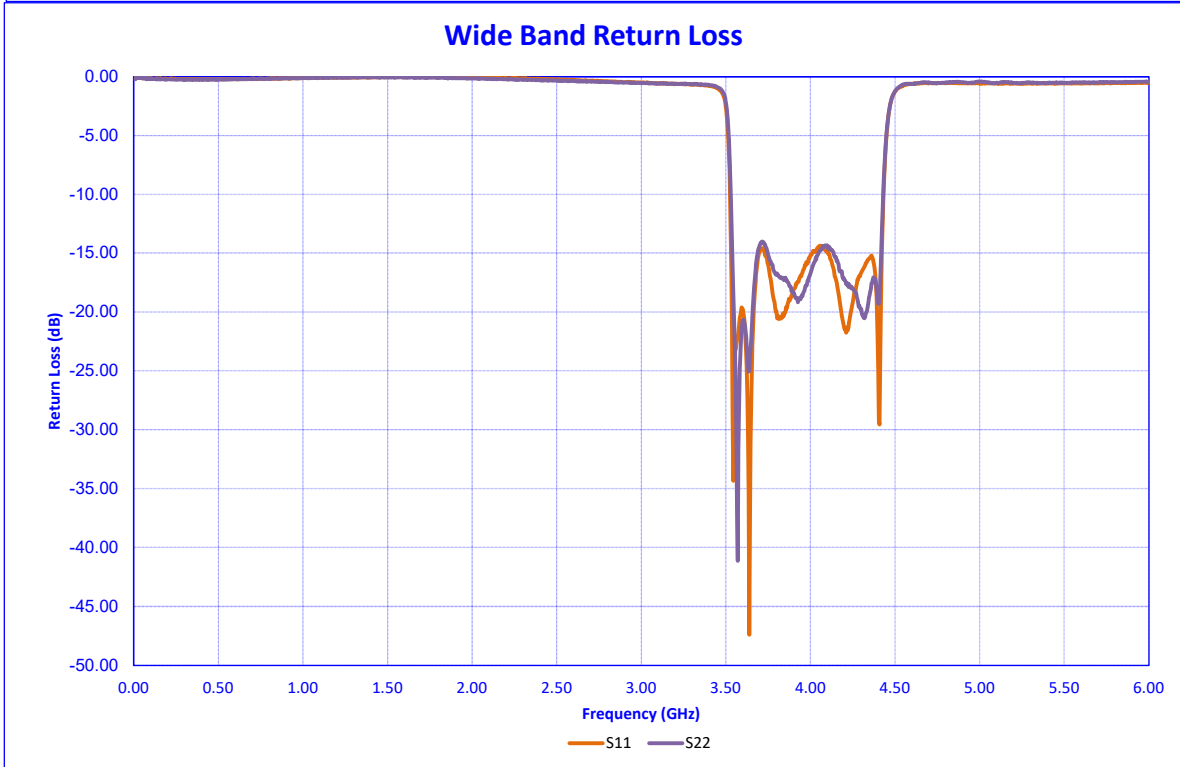
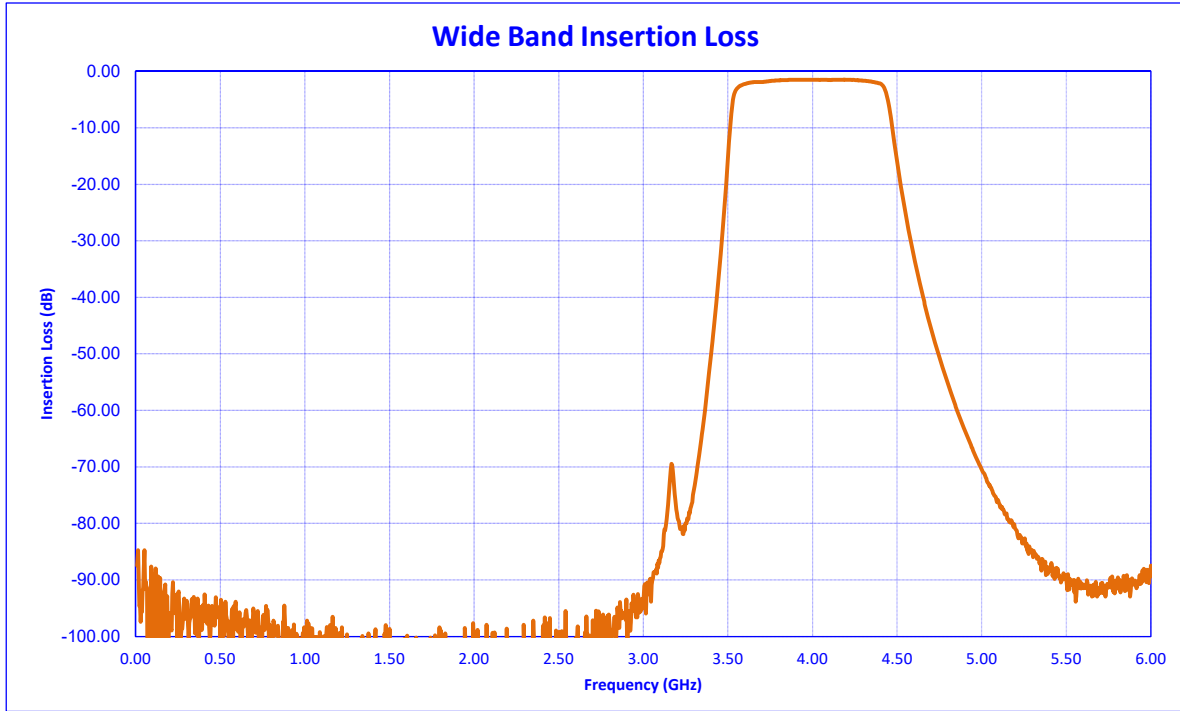
QA/QC Approval: _____ Date: _____

7311-F Grove Road Frederick, MD 21704 USA Phone: (301)662-5019 Fax: (301)662-1731
 Email: sales@pmi-rf.com



Typical Characteristics on BPF-3D55G4D4G-850M-SM-2

SN1





Typical Characteristics on BPF-3D55G4D4G-850M-SM-2

SN1

