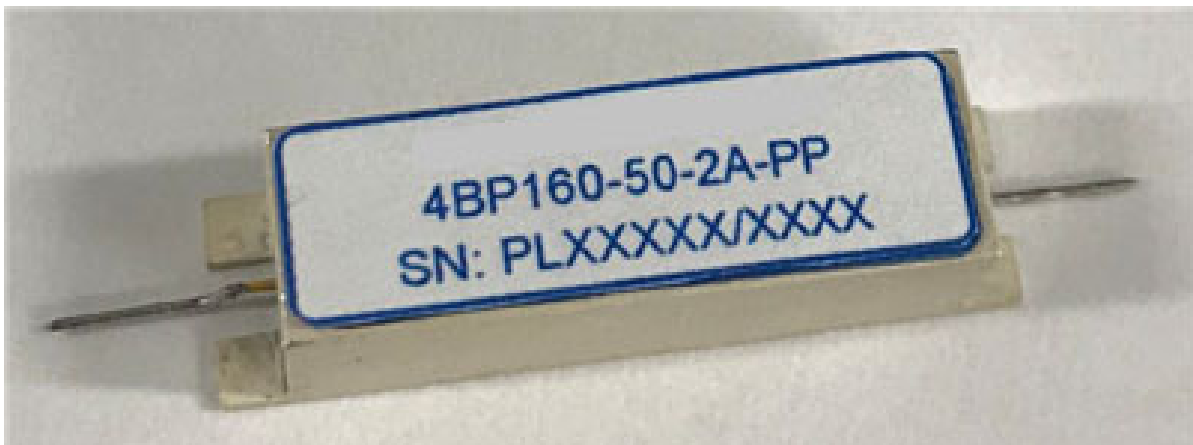




**TYPICAL CHARACTERISTICS  
ON  
4BP160-50-2A-PP**

**PMI model number 4BP160-50-2A-PP is a LC Bandpass filter  
with PC Pins connectors in and out.**



**April 29, 2020**

**Designed, Tested & Reported By:**

**Collin Ertter**



# TYPICAL CHARACTERISTICS ON 4BP160-50-2A-PP

### DESCRIPTION:

PMI model number 4BP160-50-2A-PP is a LC Bandpass filter with PC Pins in and out.

ZONE		REV.	DESCRIPTION	DATE	APPROVED
A1			ORIGINAL RELEASE	9/1/08	
A2			EON # 13-0201	11/18/18	
A3			EON # 17-0297	12/18/17	

### SPECIFICATIONS:

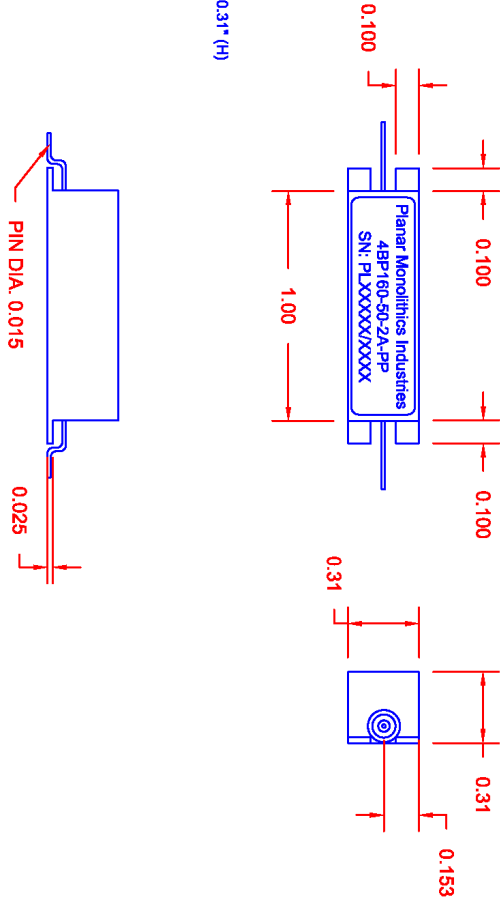
- CENTER FREQUENCY: 160 MHz
- 3dB BANDWIDTH: 50 MHz, ± 5%
- VSWR IN THE PASS BAND: 1.5:1 MAX.
- INSERTION LOSS (PASSBAND): 3 dB, TYP.
- REJECTION: 4 Section Response

- CONNECTORS: PC PINS IN/OUT
- SIZE: 1.20" (L) x 0.31" (W) x 0.31" (H)
- WEIGHT: 1oz. TYP.
- FINISH: SILVER PLATED

### ENVIRONMENTAL RATINGS:

- TEMPERATURE: -55°C TO +85°C (OPERATING)  
-65°C TO +125°C (STORAGE)
- HUMIDITY: MIL-STD-202F, METHOD 103B COND. B
- SHOCK: MIL-STD-202F, METHOD 213B COND. B
- VIBRATION: MIL-STD-202F, METHOD 204D COND. B
- ALTITUDE: MIL-STD-202F, METHOD 105C COND. B
- SALT FOG: MIL-STD-202F, METHOD 107D COND. A
- FUNGUS: MIL-STD-810C, METHOD 508.2
- TEMPERATURE CYCLE: MIL-STD-202F, METHOD 107

NOTE: THE ABOVE SPECIFICATIONS ARE SUBJECT TO CHANGE OR REVISION



ALL DIMENSIONS ARE IN INCHES  
TOLERANCES UNLESS NOTED OTHERWISE

PART NO.		DATE		TITLE	
APPROVALS		DATE		TITLE	
S. PALACIO		9/1/08		OUTLINE DRAWING 4BP160-50-2A-PP	
DRAWN		DATE		SIZE	
S. PALACIO		9/1/08		A 05X00	
CHECKED		DATE		SHEET	
S. PALACIO		9/1/08		1 OF 1	
REV.		DATE		SHEET	
A3		9/1/08		1 OF 1	

**PMI CONFIDENTIAL AND PROPRIETARY**

**PLANAR MONOLITHICS INDUSTRIES, INC.**  
311-F GROVE ROAD  
FREDERICK, MD 21704 USA  
TELEPHONE: (301) 662-5019  
WEBSITE: www.pmi-rf.com  
ISO 9001 CERTIFIED



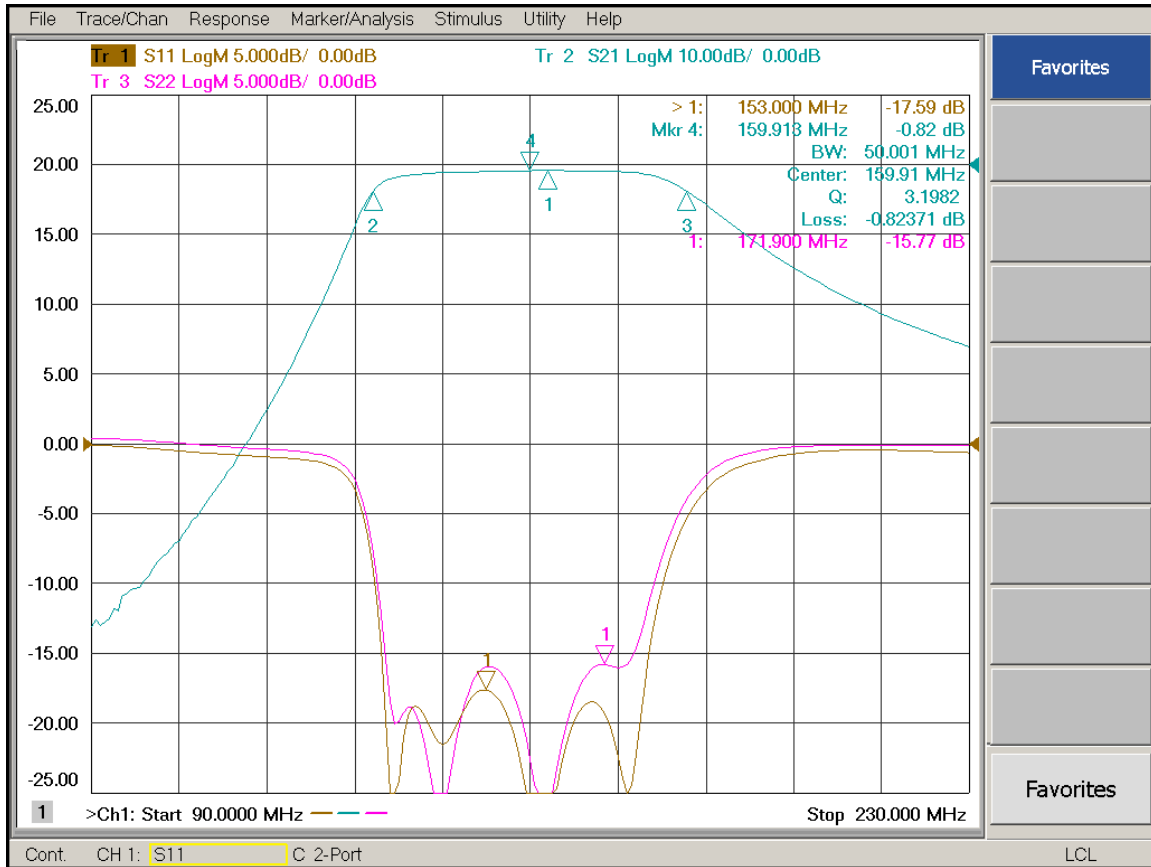
**TYPICAL CHARACTERISTICS  
ON  
4BP160-50-2A-PP**

<b>TEST. ITEM NO</b>	<b>PARAMETERS</b>	<b>SPECIFIED VALUE</b>	<b>TEST RESULTS</b>	<b>QA QC</b>
1	Center Frequency:	160 MHz	<b>159.91 MHz See Plot</b>	
2	3 dB Bandwidth:	50 MHz $\pm$ 5%	<b>50.001 MHz See Plot</b>	
3	Insertion Loss: (Passband)	3 dB Nominal	<b>0.824 dB See Plot</b>	
4	Rejection	4 Section Response	<b>4 Section Response See Plot</b>	
5	VSWR in The Passband:	1.5:1 Max	<b>1.5:1 See Plot</b>	



**TYPICAL CHARACTERISTICS  
ON  
4BP160-50-2A-PP**

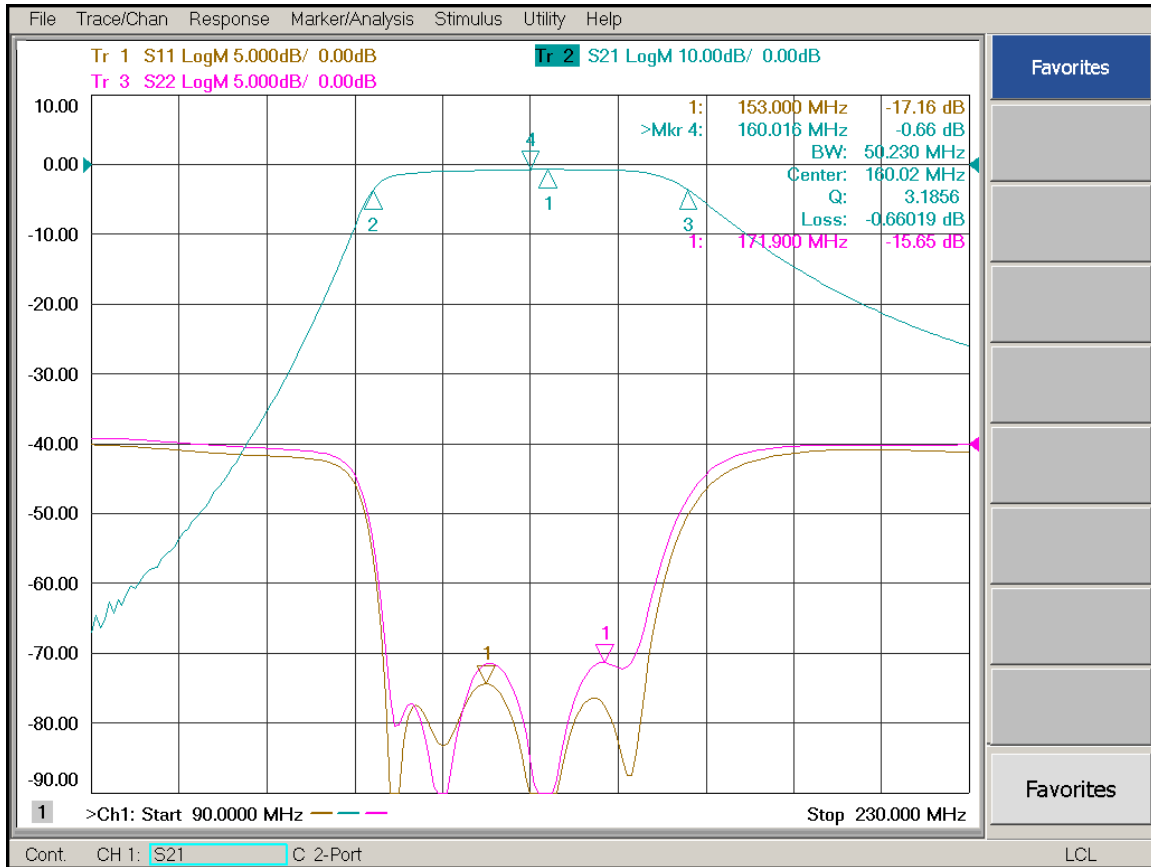
**4BP160-50-2A-PP  
@ 25 C**





**TYPICAL CHARACTERISTICS  
ON  
4BP160-50-2A-PP**

**4BP160-50-2A-PP  
@ -55 C**





**TYPICAL CHARACTERISTICS  
ON  
4BP160-50-2A-PP**

**4BP160-50-2A-PP  
@ 85 C**

