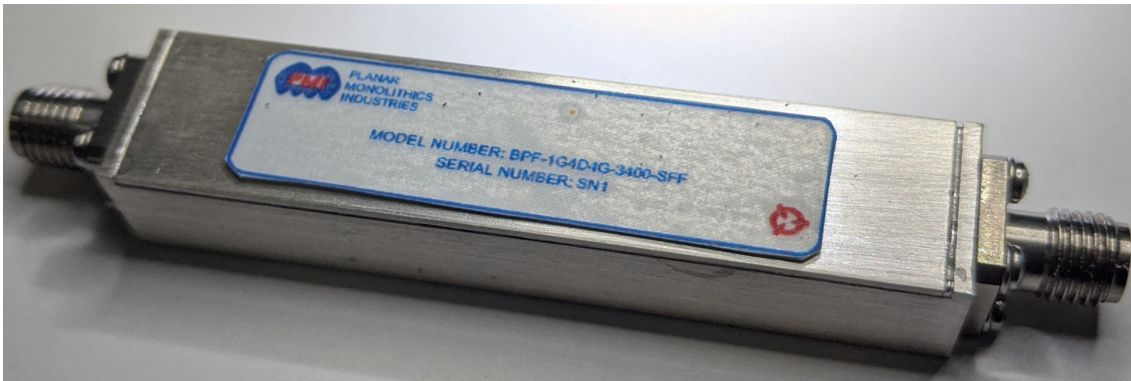




**TYPICAL CHARACTERISTICS
ON
BPF-1G4D4G-3400-SFF**

PMI MODEL NUMBER BPF-1G4D4G-3400-SFF IS A BANDPASS FILTER WITH A 3 dB BANDWIDTH OF 3400 MHz MINIMUM COVERING 1000 TO 4400 MHz. THE FILTER IS BUILT IN A CONNECTORIZED PACKAGE.



Reported By: Dave Durbin

December 3, 2020



TYPICAL CHARACTERISTICS ON BPF-1G4D4G-3400-SFF

OUTLINE DRAWING

DESCRIPTION:

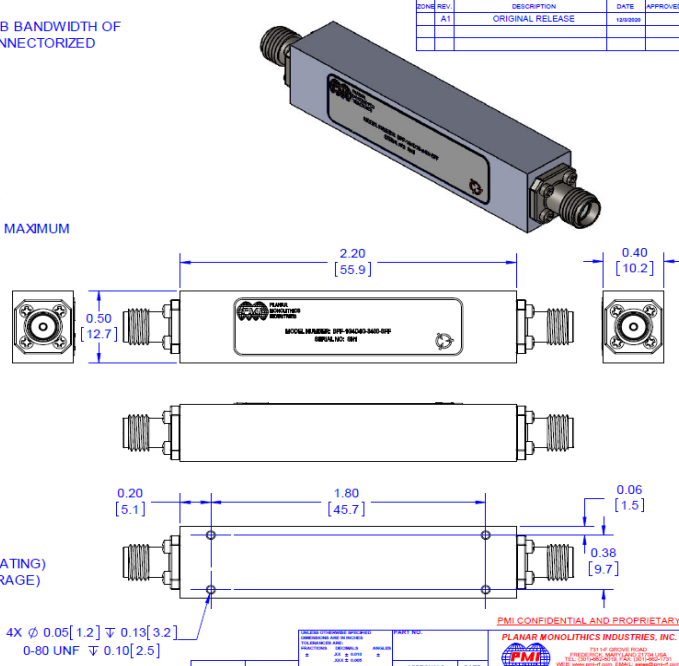
PMI MODEL NUMBER BPF-1G4D4G-3400-SFF IS A BANDPASS FILTER WITH A 3 dB BANDWIDTH OF 3400 MHz MINIMUM COVERING 1000 TO 4400 MHz. THE FILTER IS BUILT IN A CONNECTORIZED PACKAGE.

SPECIFICATIONS:

- PASSBAND FREQUENCY RANGE:..... 1 GHz TO 4.4 GHz MIN
- PASSBAND BANDWIDTH:..... 3400 MHz MIN
- PASSBAND VSWR:..... 1.5:1 GOAL, 1.8:1 MAX
- PASSBAND INSERTION LOSS:..... 2.25 dB GOAL, 2.75 dB MAXIMUM
- REJECTION:
 - 0.1 TO 0.89 GHz:..... -60 dBc MINIMUM
 - 4.95 TO 18.0 GHz:..... -60 dBc MINIMUM
- CONNECTORS:..... SMA (F)

ENVIRONMENTAL RATINGS:

- TEMPERATURE:..... -40°C TO +85°C (OPERATING)
-65°C TO +125°C (STORAGE)



ZONE	REV.	DESCRIPTION	DATE	APPROVED
	A1	ORIGINAL RELEASE	10/09/08	

SEARCHED INDEXED SERIALIZED FILED OCT 10 2008 FBI - BALTIMORE		PART NO. APPROVALS DATE O. DURBIN	TITLE 1000-4400 MHz BANDPASS FILTER BPF-1G4D4G-3400-SFF
MATERIAL:	DATE:	SCALE:	REV. NO.:
PREP:	ISSUED:	SCALE 2:1	27035140
NEXT ASSY:	USED ON:		REV. [A1]
APPLICATION:			SHEET 1 OF 1

7311-F Grove Road Frederick, MD 21704 USA Phone: (301)662-5019 Fax: (301)662-1731
Email: sales@pmi-rf.com



**TYPICAL CHARACTERISTICS
ON
BPF-1G4D4G-3400-SFF**

SN1

**SUMMARY TEST DATA
ON
1.0 to 4.4 GHz Filter**

Customer: _____ Tested By: D. Durbin
 SO No: _____ Temperature: +25°C
 Model No: 1.0 to 4.4 GHz Filter Date: 11/9/2020
 Serial No: SN1

TEST ITEM NO.	PARAMETERS	SPECIFIED VALUE	Test Results	QA QC
1	3 dB Passband	1.0 to 4.4 GHz MIN	973 MHz - 4501 MHz	
2	Passband Bandwidth	3400 MHz MIN	3527.08 MHz	
3	Rejection	-60 dBc MIN 0.1 - 0.89 GHz -60 dBc MIN 4.95 - 18.0 GHz	-63.01 dBc @ DC - 0.89 GHz -68.33 dBc @ 4.95 - 18.0 GHz	
4	Passband VSWR:	1.5:1 GOAL, 1.8:1 MAX	1.74:1	
5	Insertion Loss (3 dB Passband):	2.25 dB GOAL, 2.75 dB MAX	-1.88 dB	

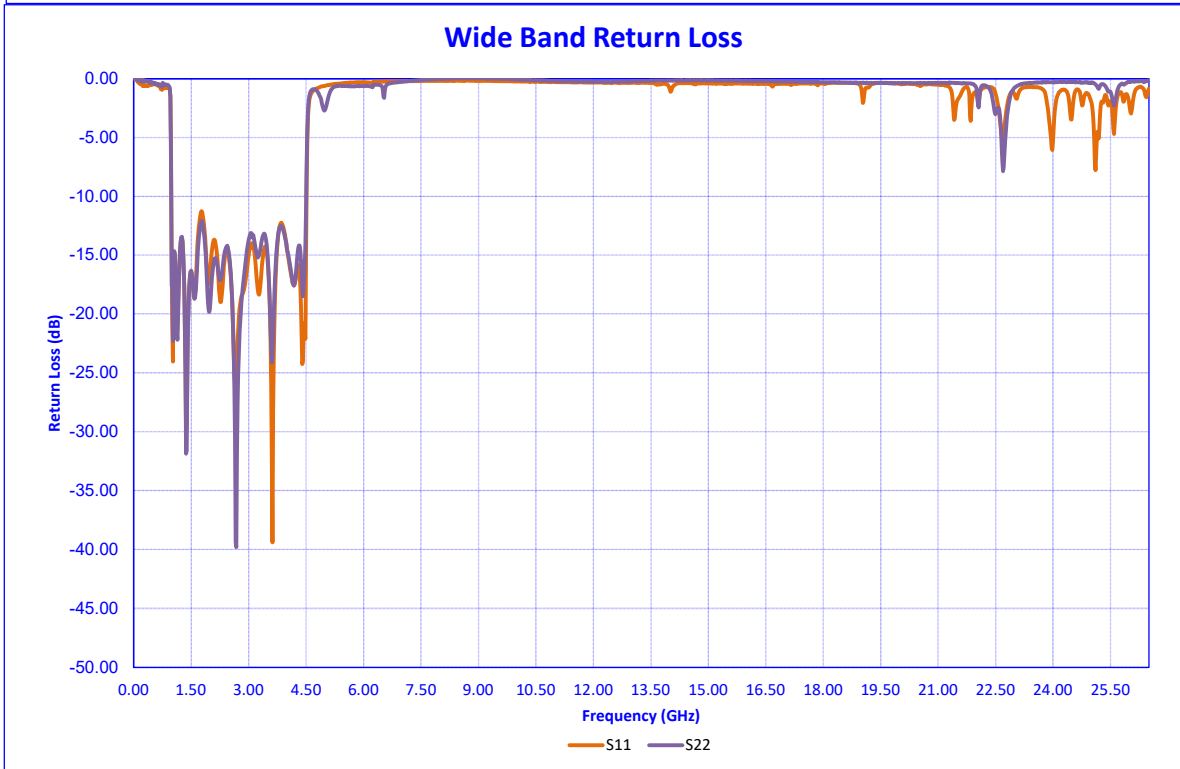
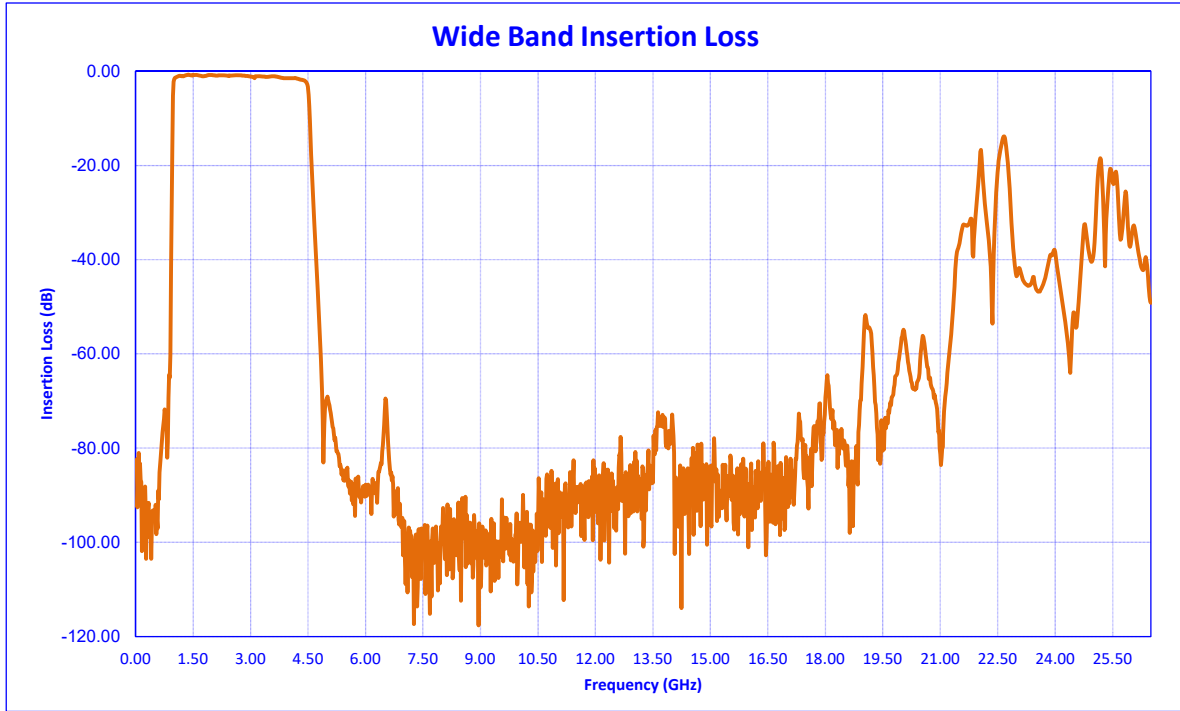
QA/QC Approval: _____ Date: _____

7311-F Grove Road Frederick, MD 21704 USA Phone: (301)662-5019 Fax: (301)662-1731
 Email: sales@pmi-rf.com



TYPICAL CHARACTERISTICS ON BPF-1G4D4G-3400-SFF

SN1





TYPICAL CHARACTERISTICS ON BPF-1G4D4G-3400-SFF

SN1

