



**TYPICAL CHARACTERISTICS
ON
BPF-4D4G7D8G-3400-SFF**

PMI MODEL NUMBER BPF-4D4G7D8G-3400-SFF IS A BANDPASS FILTER WITH A 3 dB BANDWIDTH OF 3400 MHz MINIMUM COVERING 4400 TO 7800 MHz. THE FILTER IS BUILT IN A CONNECTORIZED PACKAGE.



Reported By: Dave Durbin

December 3, 2020



TYPICAL CHARACTERISTICS ON BPF-4D4G7D8G-3400-SFF

OUTLINE DRAWING

DESCRIPTION:

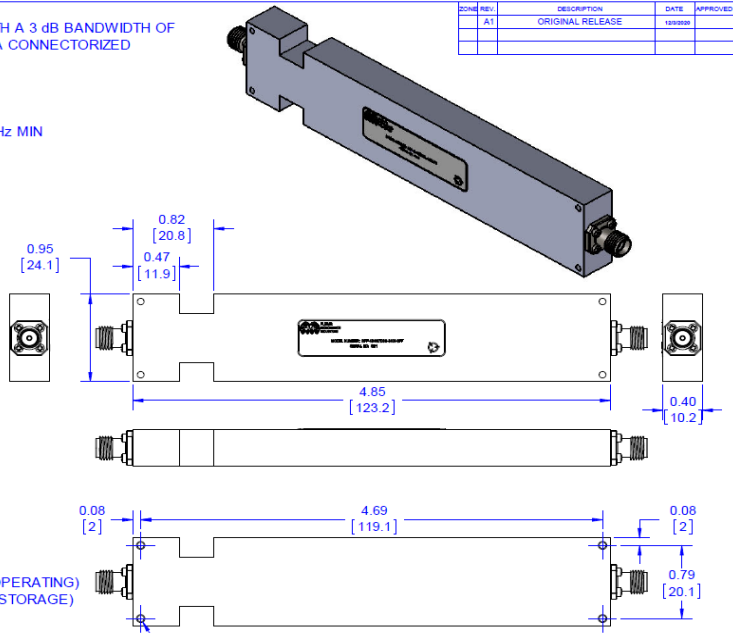
PMI MODEL NUMBER BPF-4D4G7D8G-3400-SFF IS A BANDPASS FILTER WITH A 3 dB BANDWIDTH OF 3400 MHz MINIMUM COVERING 4400 TO 7800 MHz. THE FILTER IS BUILT IN A CONNECTORIZED PACKAGE.

SPECIFICATIONS:

- PASSBAND FREQUENCY RANGE:..... 4.4 GHz TO 7.8 GHz MIN
- PASSBAND BANDWIDTH:..... 3400 MHz MIN
- PASSBAND VSWR:..... 2.0:1 MAX
- PASSBAND INSERTION LOSS:..... 3 dB MAXIMUM
- REJECTION:
 - 0.1 TO 4.0 GHz:..... -60 dBc MINIMUM
 - 8.2 TO 18.0 GHz:..... -60 dBc MINIMUM
- CONNECTORS:..... SMA (F)

ENVIRONMENTAL RATINGS:

- TEMPERATURE:..... -40°C TO +85°C (OPERATING)
-65°C TO +125°C (STORAGE)



ZONE	REV	DESCRIPTION	DATE	APPROVED
	A1	ORIGINAL RELEASE	10/09/09	

4X Ø 0.07 [1.8] THRU ALL
2-56 UNC ± 0.32 [8]

MATERIAL		APPROVALS		DATE		TITLE	
		D. DURBIN		10/09/09		4400-7800 MHz BANDPASS FILTER	
						BPF-4D4G7D8G-3400-SFF	
						REV: B1	REV: A1
						SCALE: 1:1	SHEET 1 OF 1

PMI CONFIDENTIAL AND PROPRIETARY
PLANAR MONOLITHICS INDUSTRIES, INC.
 7311-F GROVE ROAD
 FREDERICK, MARYLAND 21704
 TEL: 301-662-5019 FAX: 301-662-1731
 WWW.PMI-RF.COM EMAIL: SALES@PMI-RF.COM

7311-F Grove Road Frederick, MD 21704 USA Phone: (301)662-5019 Fax: (301)662-1731
 Email: sales@pmi-rf.com



**TYPICAL CHARACTERISTICS
ON
BPF-4D4G7D8G-3400-SFF**

SN1

**SUMMARY TEST DATA
ON
4.4 to 7.8 GHz Filter**

Customer: _____ Tested By: D. Durbin
 SO No: _____ Temperature: +25°C
 Model No: 4.4 to 7.8 GHz Filter Date: 11/9/2020
 Serial No: SN1

TEST ITEM NO.	PARAMETERS	SPECIFIED VALUE	Test Results	QA QC
1	3 dB Passband	4.4 to 7.8 GHz MIN	4362 MHz - 7865 MHz	
2	Passband Bandwidth	3400 MHz MIN	3503.25 MHz	
3	Rejection	-60 dBc MIN 0.1 - 4.0 GHz -60 dBc MIN 8.2 - 18.0 GHz	-80.13 dBc @ DC - 4.0 GHz -78.81 dBc @ 8.2 - 18.0 GHz	
4	Passband VSWR:	2.0:1 MAX	1.59:1	
5	Insertion Loss (3 dB Passband):	3.0 dB MAX	-1.05 dB	

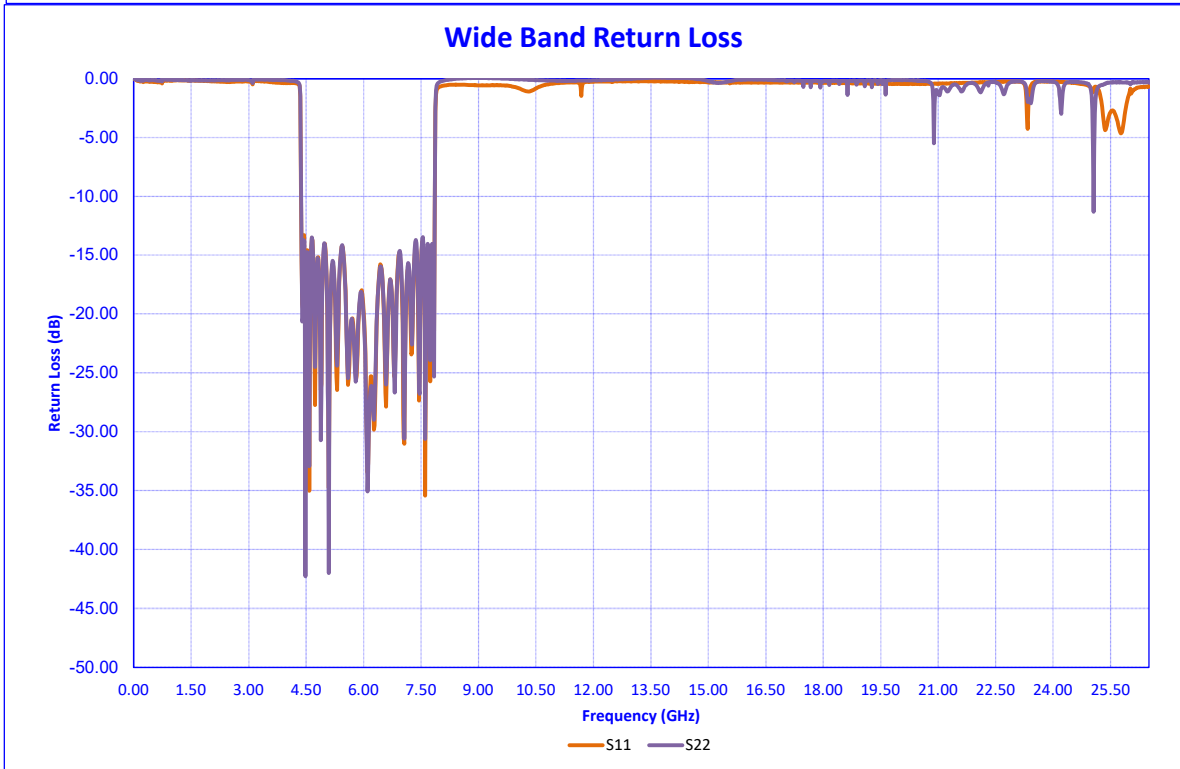
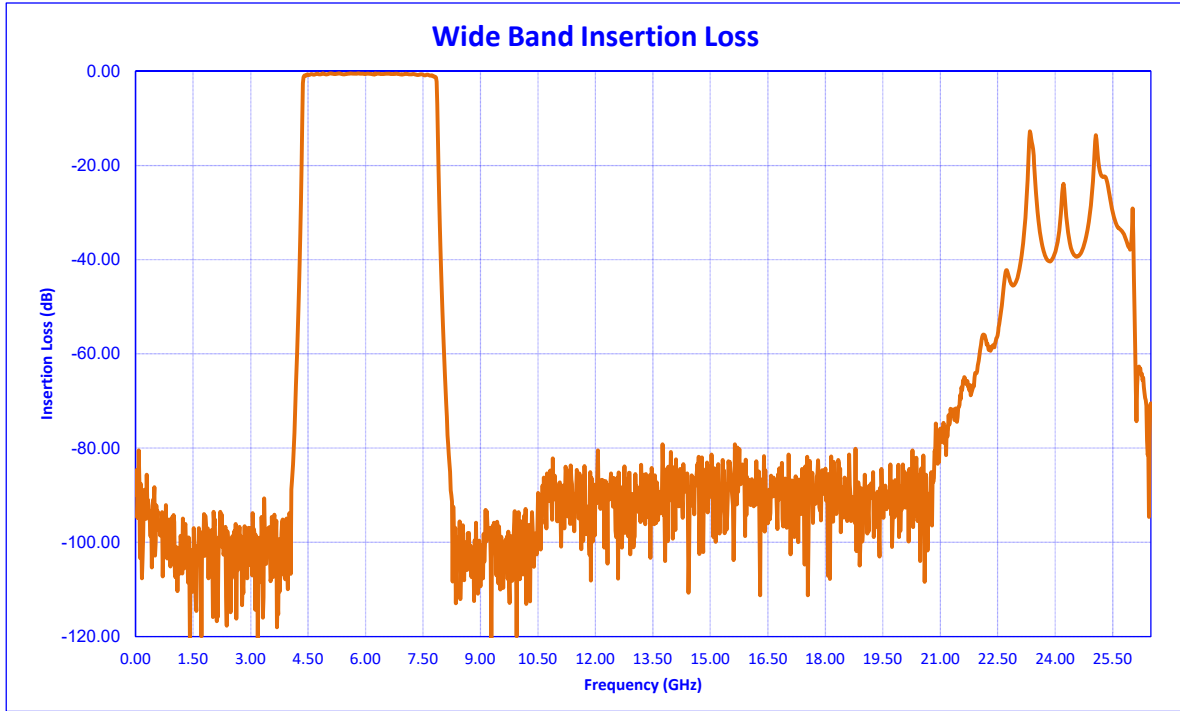
QA/QC Approval: _____ Date: _____

7311-F Grove Road Frederick, MD 21704 USA Phone: (301)662-5019 Fax: (301)662-1731
 Email: sales@pmi-rf.com



TYPICAL CHARACTERISTICS ON BPF-4D4G7D8G-3400-SFF

SN1





TYPICAL CHARACTERISTICS ON BPF-4D4G7D8G-3400-SFF

SN1

