

**TYPICAL CHARACTERISTICS
ON
BPF-3D25G-87D1M-SFF**

PMI MODEL: BPF-3D25G-87D1M-SFF IS A BAND PASS FILTER WITH SMA FEMALE CONNECTORS IN/OUT. THIS UNIT HAS A CENTER FREQUENCY OF 3250 MHz AND AN INSERTION LOSS OF 1.1 dB MAX.



**REPORTED BY: V. PRATAP
TESTED BY: E. KRETZ
DATE: 8/20/2025**

TYPICAL CHARACTERISTICS ON BPF-3D25G-87D1M-SFF

PRODUCT FEATURE

DESCRIPTION:

PMI MODEL: BPF-3D25G-87D1M-SFF IS A BAND PASS FILTER WITH SMA FEMALE CONNECTORS IN/ OUT. THIS UNIT HAS A CENTER FREQUENCY OF 3250 MHz AND AN INSERTION LOSS OF 1.1 dB MAX.

SPECIFICATIONS @ 25°C:

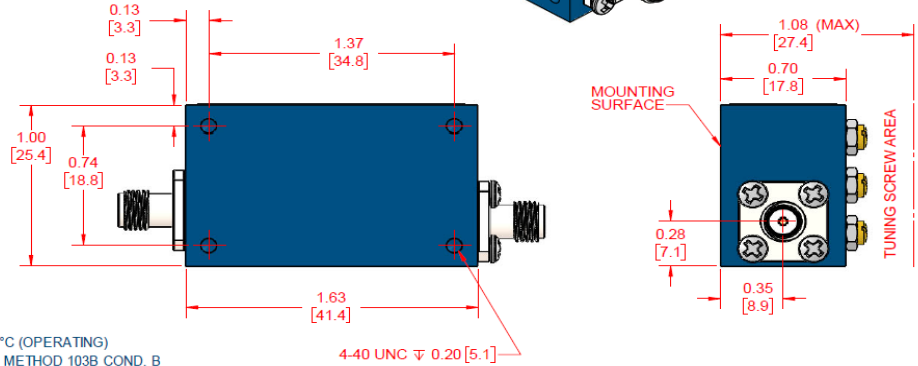
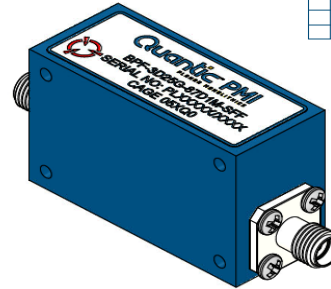
- PASSBAND FREQUENCY:..... 3206.45 MHz TO 3293.55 MHz
- INSERTION LOSS:..... 1.1 dB MAX
- RETURN LOSS:..... 14 dB MIN
- REJECTION @ DC TO 3000 MHz:..... 66 dBc MIN
- REJECTION @ 3500 MHz TO 7000 MHz:..... 69 dBc MIN
- INPUT POWER:..... 10 W MAX
- CONNECTORS:..... SMA FEMALE
- FINISH:..... PAINTED BLUE

ENVIRONMENTAL RATINGS:

- TEMPERATURE:..... -40°C TO +70°C (OPERATING)
- HUMIDITY:..... MIL-STD-202, METHOD 103B COND. B
- SHOCK:..... MIL-STD-202, METHOD 213B COND. B
- VIBRATION:..... MIL-STD-202, METHOD 204D COND. B
- ALTITUDE:..... MIL-STD-202, METHOD 105C COND. B
- TEMPERATURE CYCLE:..... MIL-STD-202, METHOD 107D COND. A

NOTE: SPECIFICATIONS WILL VARY OVER TEMPERATURE
NOTE: THE ABOVE SPECIFICATIONS ARE SUBJECT TO CHANGE OR REVISION

ZONE	REV.	DESCRIPTION	DATE	APPROVED
	A1	ORIGINAL RELEASE	6/20/2024	



4-40 UNC ∇ 0.20 [5.1]

PMI CONFIDENTIAL AND PROPRIETARY

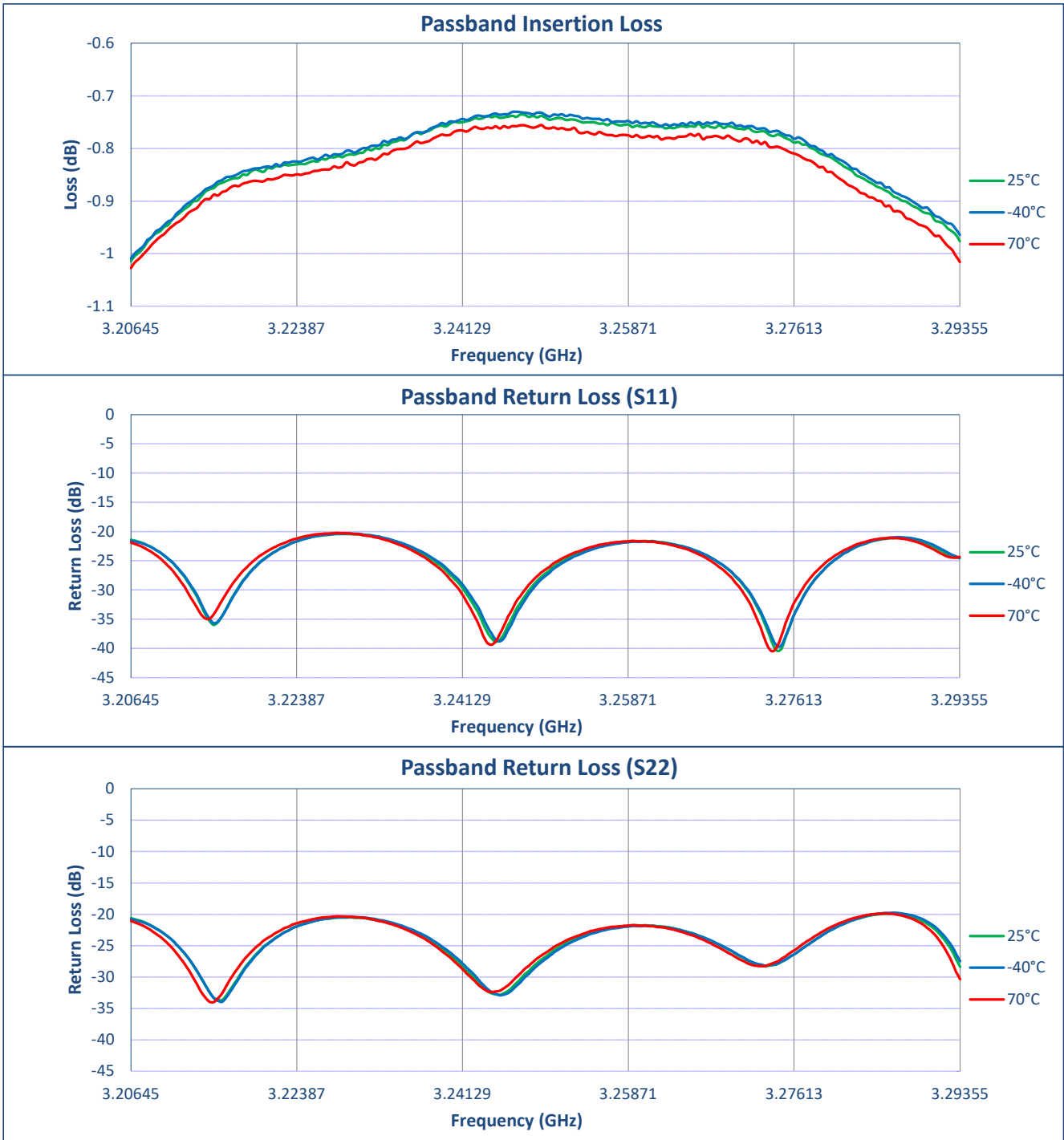
APPROVALS		DATE	TITLE	
DRAWN	VP	6/20/2024	OUTLINE	
DESIGNED			BPF-3D25G-87D1M-SFF	
CHECKED			SIZE	REV
			B	A1
			SCALE	SHEET
			2:1	1 OF 1

**TYPICAL CHARACTERISTICS
ON
BPF-3D25G-87D1M-SFF**

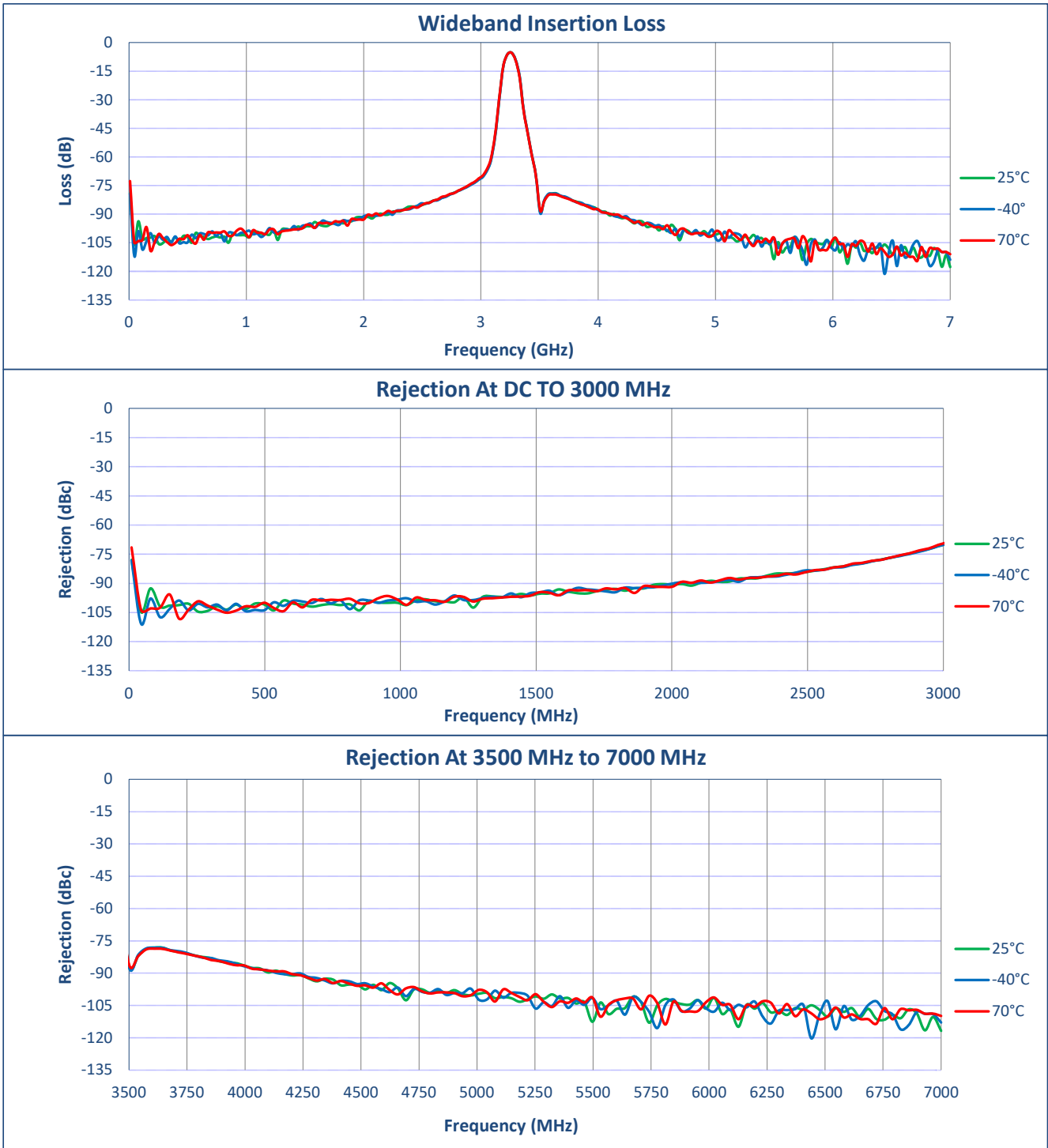
PRODUCT SPECIFICATIONS

TEST ITEM	PARAMETERS	SPECIFIED VALUE	TEST RESULTS		
			-40°C	+25°C	+70°C
1	Passband Frequency Range	3206.45 MHz to 3293.55 MHz	3206.45 MHz to 3293.55 MHz		
2	Insertion Loss (Passband)	1.1 dB Max.	1.01 dB	1.01 dB	1.03 dB
3	Return Loss	14 dB Min.	19.75 dB	19.89 dB	19.88 dB
4	Rejection (DC to 3000 MHz)	66 dBc Min.	69.5 dBc	69.3 dBc	68.7 dBc
5	Rejection (3500 MHz to 7000 MHz)	69 dBc Min.	78.2 dBc	78.1 dBc	78.6 dBc
6	Input Power	10W	10W	10W	10W

**TYPICAL CHARACTERISTICS
ON
BPF-3D25G-87D1M-SFF**



**TYPICAL CHARACTERISTICS
ON
BPF-3D25G-87D1M-SFF**



TYPICAL CHARACTERISTICS ON BPF-3D25G-87D1M-SFF

