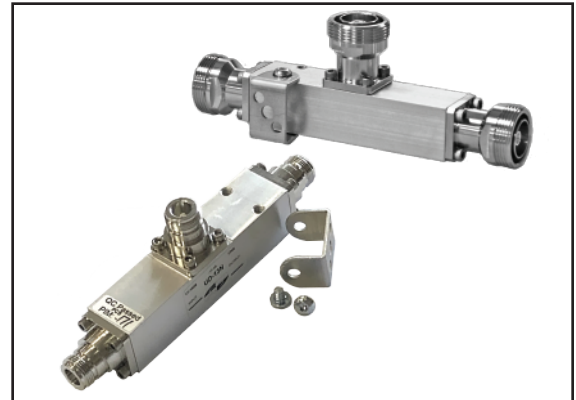


DAS TAPPERS: BI-DIRECTIONAL UNEQUAL DIVIDERS 350-960 MHz WITH DC CONTINUITY TO ALL PORTS

UD-A11A-XX Low Loss Power Tappers/Unequal Dividers/Signal Samplers

Made in USA

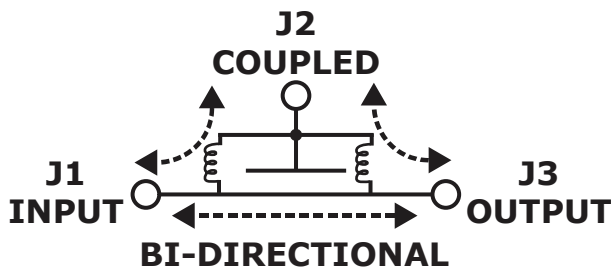
Common Specifications	
Frequency Range:	350 - 960 MHz
Maximum Input Power:	300 Watts Avg., 3kW Peak, any port
Ohmic/Dissipative Insertion Loss:	0.17 dB J1 ↔ J3
Impedance:	50 Ohms
Connectors:	Female standard, Male available, any combination
DC Continuity:	All Ports, 1A Max J1 ↔ J2, 10A Max J1 ↔ J3
Material and Finish:	Aluminum 6061, non-machined raw extruded mill finish, clear iridate
Environmental:	IP67, Approved for outdoor use
Weight:	6 Oz Type N, 8 Oz Din
Mounting:	Tapped holes-Bracket and screws supplied



NOTE: Return Loss not specified for port J2

Typical Part Number		
UD-A11A-05XX Part Number Connector ID	Connector:	Connector ID:
	Type N	N
	7-16 DIN	D
	4.1-9.5 MINIDIN	D41
	4.3-10.0	D43
	NEX10	NEX

R&D Microwaves Unequal Power Dividers (re-active splitters) utilize a unique airline distributed capacitor construction with a DC inductor by-pass that provides the lowest insertion loss, input Return Loss, high power, and exceptional low PIM performance. The UD series are available in 1 dB coupling value increments up to 13 dB, providing split ratios from 2:1 up to 19:1. The units are provided with high torque connectors that are flange mounted to the housing chassis with O-rings for sealing for a robust and reliable connection. Mounting brackets and screws are supplied for easy wall mounting applications. All units achieve an IP67 environmental rating for outdoor use.

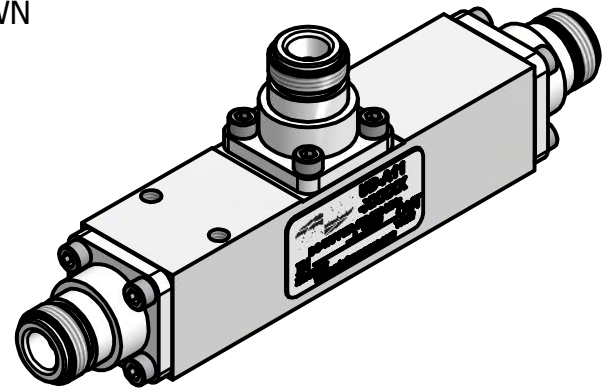
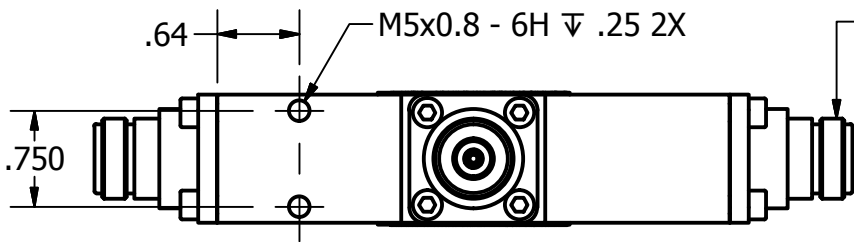


Part Number	Coupling (dB)	Split Ratio J3:J2	Coupling (dB)		Return Loss J1 (dB)
			J1 ↔ J2	J1 ↔ J3	
UD-A11A-05	5	2:1/3dB	4.8	1.75	19.0
UD-A11A-06	6	3:1/4.8dB	6.0	1.26	19.8
UD-A11A-07	7	4:1/6dB	7.0	1.00	19.8
UD-A11A-08	8	5.3:1/7.25dB	8.0	0.75	19.8
UD-A11A-09	9	7.0:1/8.5dB	9.0	0.59	19.8
UD-A11A-10	10	9.0:1/9.5dB	10.0	0.46	20.8
UD-A11A-11	11	12:1/10.6dB	11.0	0.36	20.8
UD-A11A-12	12	15:1/12dB	12.0	0.28	20.8
UD-A11A-13	13	19:1/13dB	13.0	0.22	23.1

2

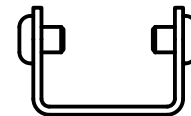
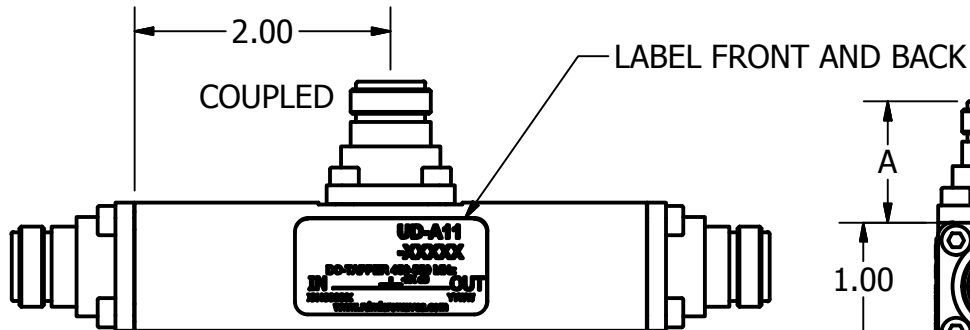


1

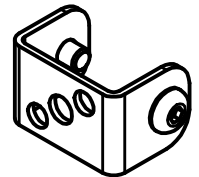
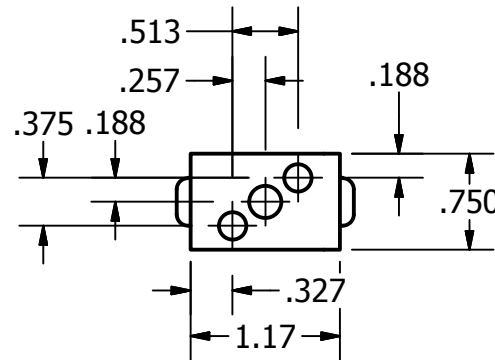
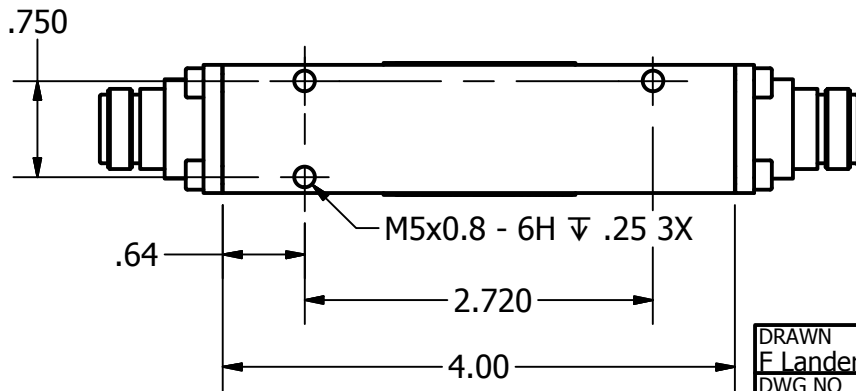


B

B



SUPPLIED WITH MOUNTING BRACKET AND 2 SCREWS IN A BAG.



A

A

DRAWN F.Landeros	6/30/2026
DWG NO UD-A11A-XXrev1.3	
UNLESS OTHERWISE SPECIFIED: ALL UNITS ARE IN inches [mm] TOLERANCE: X.XX \pm 0.01 X.XXX \pm 0.005	



TITLE
UD-A11A SERIES OUTLINE DRAWING

HOLE TOLERANCE: X.XXX \pm .003
LENGTH TOLERANCE: X.XXX \pm .010
LENGTH TOLERANCE: X.XX \pm .030



SIZE A	MODEL NO UD-A11A-XX	REV 1.3
SCALE 2 : 3	PROPERTY OF R&D MICROWAVES LLC	SHEET 1 OF 1

2



1