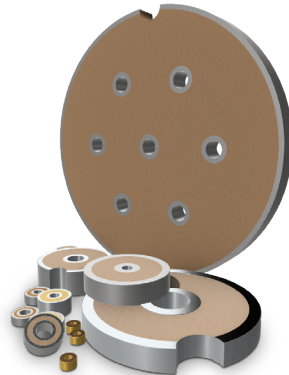


Feed-Through
Capacitors

MLC Discoidal Chip

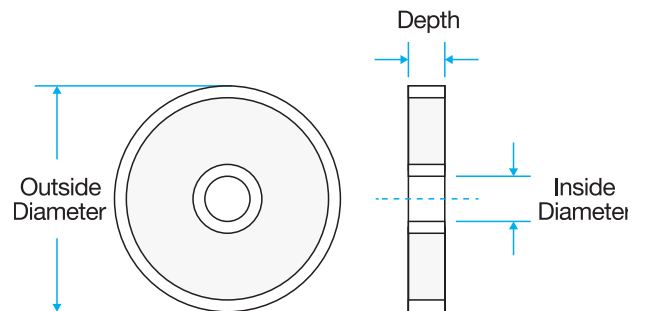


Features

- Designed to meet or exceed all the requirements of MIL-PRF-15733, MIL-PRF-28861 and MILPRF-31033
- Multilayer construction with through hole mounting
- Low impedance to ground resulting in optimum EMI suppression
- High frequency performance
- Ultra-low ESR
- Chassis or bulkhead mounted, either individually or in a cylindrical can, provides excellent isolation of the input signal from the output of the capacitor or filter
- High capacitance density
- Wide voltage range: 25V–3000V
- Suitable for high voltage applications in power supplies, lighting systems and high voltage circuits
- Temperature stability
- Broad range of capacitance values 10pF–7.2μF
- Sizes: 0502–6429
- Dielectrics NPO, X7R
- RoHS compliant

Product Overview

Discoidal feed-through capacitors using multilayer construction exhibit very low impedance to ground, resulting in optimum EMI suppression. The alternate-layered construction provides very low series resistance and series inductance, which allows for low impedance at high frequencies.



Dimensions

	0502	0703	0904	1404	2105	2705	3505	3905	6006	
Outside Diameter	0.050 ±0.004	0.070 ±0.004	0.095 ±0.005	0.145 ±0.010	0.210 ±0.010	0.270 ±0.010	0.345 ±0.010	0.390 ±0.010	0.600 ±0.015	
Inside Diameter	0.020 ±0.004	0.030 ±0.004	0.038 ±0.004	0.038 ±0.004	0.050 ±0.005	0.050 ±0.004	0.050 ±0.004	0.050 ±0.005	0.060 ±0.005	
Depth	0.035	0.035	0.060	0.060	0.080	0.100	0.100	0.120	0.150	
TC	WVDC	Maximum Capacitance Available								
NPO	50V	470pF	820pF	2,700pF	10,000pF	47,000pF	0.1uF	0.22uF	0.27uF	.360uF
	100V	390pF	680pF	2,200pF	9,100pF	39,000pF	0.091uF	0.18uF	0.22uF	.330uF
	200V	330pF	560pF	1,800pF	8,200pF	33,000pF	0.082uF	0.15uF	0.18uF	.270uF
	500V	270pF	470pF	1,500pF	6,600pF	27,000pF	0.068uF	0.12uF	0.15uF	.220uF
X7R	50V	10,000pF	15,000pF	50,000pF	0.022uF	0.91uF	2.2uF	4.2uF	4.5uF	7.20uF
	100V	10,000pF	15,000pF	47,000pF	0.02uF	0.82uF	2.0uF	3.9uF	4.2uF	6.80uF
	200V	4,700pF	10,000pF	33,000pF	0.15uF	0.56uF	1.2uF	2.7uF	3.3uF	4.70uF
	500V	2,200pF	8,000pF	22,000pF	0.01uF	0.39uF	1.0uF	2.2uF	2.5uF	3.30uF

Custom Sizes

Available with outside diameters >0.050" and special inside diameters. Contact the factory for other variations that include size, voltage, and terminations.

Part Ordering

D	G	3505	X7R	105	V	P
Discoidal	Working Voltage	Physical Size	Temperature Characteristic	Capacitance Code	Tolerance	Termination
	L= 25V G= 50V B= 100V R= 200V H= 250V S= 500V K= 630V T= 1000V W= 2000V X= 3000V		X7R NPO	R05= 0.05pF 0R2= 0.20pF 1R0= 1.0pF 2R7= 2.7pF 270= 27pF 271= 270pF 103= 10000pF	J= (+/-) 5% K= (+/-) 10% M= (+/-) 20% V= (+/-) GMV Z= +80% / -20% P= +100% / -0% S= -0% / +30%	P= Platinum Silver G= Gold Over Nickel