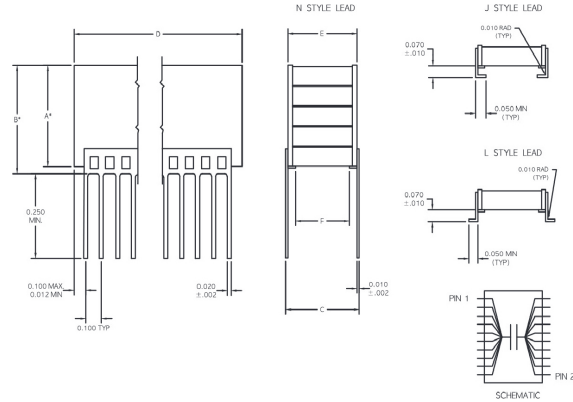


Switch Mode Power
Supply Filter Capacitors

SMPS



Product Overview

UTC's broad line of switch mode power supply (SMPS) capacitor assemblies are ideal in today's high frequency input and output filtering, as well as high capacitance discharge circuits and high temperature filtering and decoupling. These parts have low equivalent series resistance (ESR) as well as low equivalent series inductance (ESL).

They are frequently used to replace tantalum and electrolytic capacitors in demanding applications. Our engineering staff is ready to address your need for application specific products meeting your unique requirements.

Dimensions

Case Code	C±.025	D		E(max)	Number of leads per side
		Min.	Max.		
1	.450	1.950	2.075	.500	20
2	.800	1.450	1.535	.870	15
3	.450	.950	1.075	.500	10
4	.400	.350	.425	.440	4
5	.250	.224	.275	.300	3
6	1.250	1.950	2.075	1.350	20

Maximum Capacitance for each Case-Values in uF

Case Code	1				2				3			
	50V	100V	200V	500V	50V	100V	200V	500V	50V	100V	200V	500V
X7R	100	56.0	27.0	12.0	150	82.0	39.0	18.0	47.0	27.0	12.0	5.6
NPO	4.7	3.3	1.8	0.82	5.6	4.7	2.7	1.2	2.2	1.8	1.0	0.39

Case Code	4				5				6			
	50V	100V	200V	500V	50V	100V	200V	500V	50V	100V	200V	500V
X7R	15.0	8.2	3.9	1.8	5.6	3.3	1.5	0.68	270	180	120	39.0
NPO	0.56	0.47	0.27	0.12	0.27	0.22	0.1	0.047	15.0	12.0	5.6	2.2

SMPS Ordering Terminology

P	B	4	N	1	X7R	475	K	B
SMPS Capacitor Family	Voltage	Case Code	Lead Style	Coating	TC	Capacitance	Tolerance	Test Level
MegaCap Type	G= 50V R= 200V B= 100V S= 500V	(see dimension chart)	N= Straight (thru hole) L= Leads formed out J= Leads formed in M= Without leads	1= Uncoated 2= Coated	X7R BX BR BQ BP NPO	(expressed in Pf) First two digits are significant, third digit is number of zeros.	J= ±5% M= ±20% K= ±10%	A= Electrical Screening Only B= MIL-PRF-49470 Group A C= HiRel Group B or C X= Special Screening

CAGE CODE 0YBX7
Available as: MILPRF49470 B/T Levels | 87106 DSCC DWG | 88011 DSCC DWG