



Model WMPD02-2-4-X-B2 Power Divider

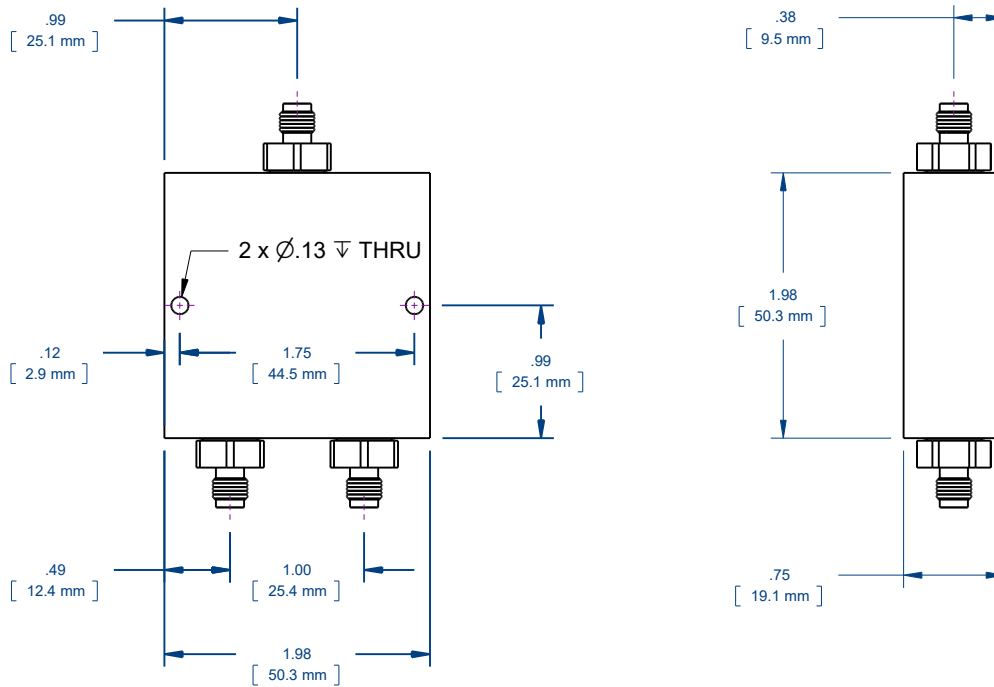
2-way Microstrip, 2-4GHz, SMA or N-Female

RoHS
Compliant

UNLESS OTHERWISE SPECIFIED:
 DIMENSIONS ARE IN INCHES
 [mm] SHOWN FOR CONVENIENCE
 TOLERANCES ON:
 2 PL DECIMALS: ± .03
 3 PL DECIMALS: ± .015
 ANGLES: ± 1°

TEST DATA
 ON
 NEXT PAGE

Connectors	Order Part Number
SMA-Female	WMPD02-2-4-S-B2
N-Female	WMPD02-2-4-N-B2
Other	Special, Consult Factory



Electrical Specifications	Min	Typ	Max	Unit	Notes
Frequency Range	2		4	GHz	
Impedance		50		Ohms	
Insertion Loss			0.4	dB	Above 3.01 dB loss due to splitting.
Amplitude Unbalance			0.25	dB	
Phase Unbalance			2	deg	
Isolation	20			dB	
Common Port VSWR			1.25	:1	
Split Ports VSWR			1.2	:1	
Input Power			30	W	Coherent splitting into load VSWR 1.20:1 max.
Mechanical Specifications	Min	Typ	Max	Unit	Notes
Operating Temperature	-55		+85	°C	Tested at +25 °C.
Storage Temperature	-55		+125	°C	
Relative Humidity			85	%	Non-condensing.
Operating Environment					Indoor use only.
Enclosure Material					Aluminum Alloy 6061 and 5052
Enclosure Finish					RoHS Compliant Clear Chemical Film per MIL-DTL-5541 Class 3
Connectors Material					Body: Stainless Steel 303 Contact Pin: Beryllium Copper, Gold Plate Insulator: PTFE
Solder Alloy					Sn 96.5, Ag 3.0, Cu 0.5

Specifications subject to change without notice.
 This document shall not form part of a contract.

SIZE
A

CAGE CODE
78YZ0

DRWG NO.
SPEC-WMPD02-2-4-X-B2

REV.
0

SCALE 1 : N/A

SHEET

Model WMPD02-2-4-X-B2 Power Divider

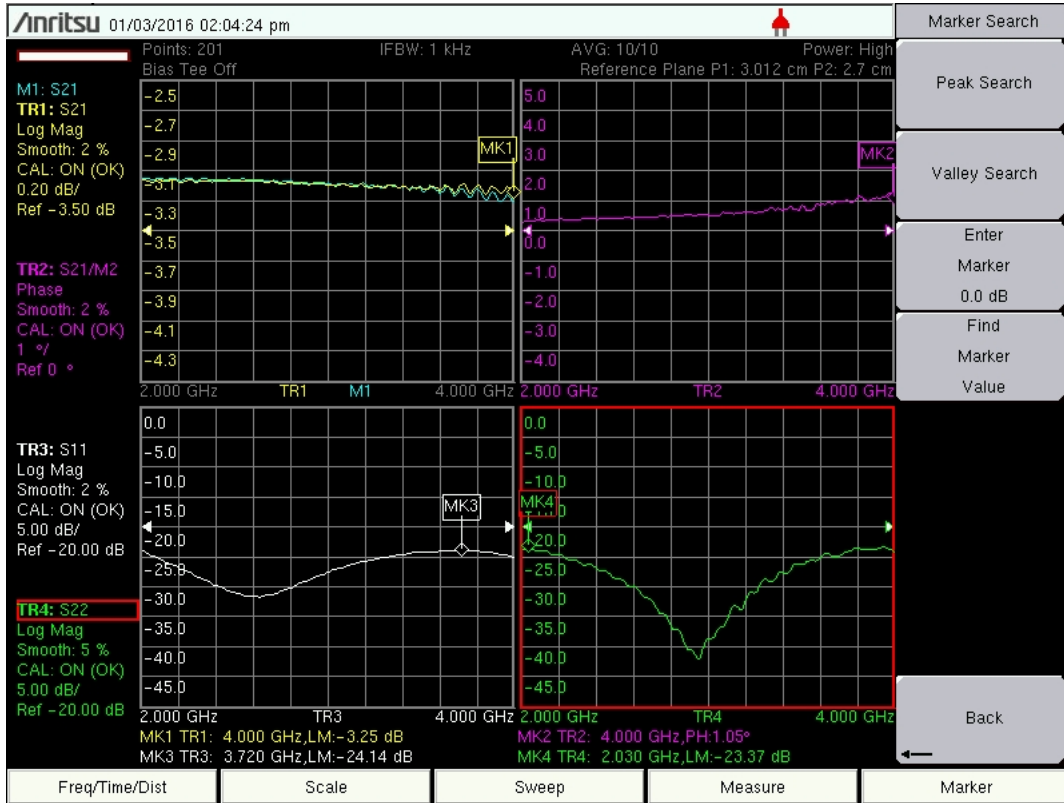
2-way Microstrip, 2-4GHz, SMA or N-Female

RoHS
Compliant

==TYPICAL TEST DATA PERFORMANCE==
 Actual unit to unit performance may vary.

Insertion Loss
Amplitude Balance

Phase Balance



Isolation

