



## Model WMPD04-0.5-6-X-A1 Power Divider

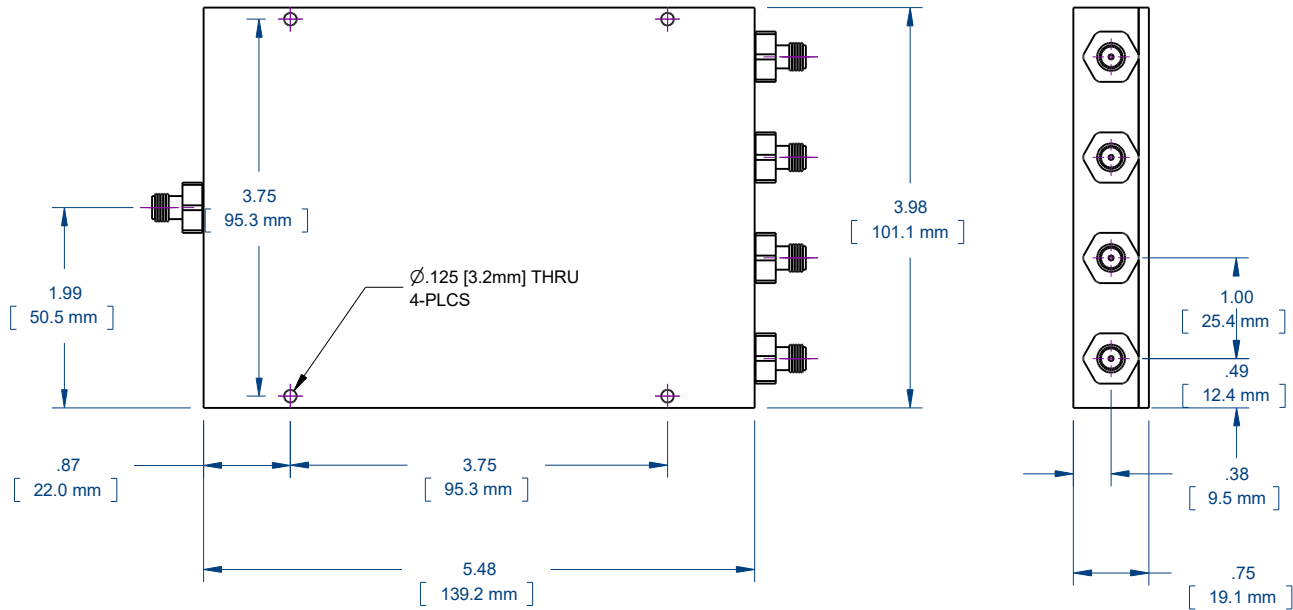
4-way Microstrip, 0.5-6GHz, N or SMA-Female

 RoHS  
 Compliant

UNLESS OTHERWISE SPECIFIED:  
 DIMENSIONS ARE IN INCHES  
 [mm] SHOWN FOR CONVENIENCE  
 TOLERANCES ON:  
 2 PL DECIMALS: ± .03  
 3 PL DECIMALS: ± .015  
 ANGLES: ± 1°

Model No.  
 WMPD04-0.5-6-S-A1 SMA-Female  
 WMPD04-0.5-6-N-A1 N-Female

Replaces old models. For more information:  
 Request Product change notice PCN-1002.



Specifications	Min	Typ	Max	Unit	Notes
Frequency Range	0.5		6.0	GHz	
Impedance		50		Ohms	Design to meet.
Insertion Loss (above 6.02 dB)		0.9	1.4	dB	
Amplitude Unbalance		0.25	0.4	dB	
Phase Unbalance		2	6	deg	
Isolation (0.6-6.0GHz)	18	23		dB	16dB min at 500-600 MHz.
Common Port VSWR		1.3	1.45	:1	
Split Ports VSWR		1.2	1.25	:1	
Input Power as Coherent Splitter			30	W	Load VSWR 1.20:1 max.
Combining Power, Coherent			7.5	W/port	Load VSWR 1.20:1 max.
Combining Power, Non-Coherent			0.5	W/port	Load VSWR 1.20:1 max.
Operating Temperature	-55		+85	°C	
Relative Humidity			85	%	Non-condensing.
Operating Environment	Indoor use only.				Weatherproofing optional.
Enclosure Material / Finish	Aluminum 6061 and 5052 Alloys.				Clear Chem Film per MIL-DTL-5541 Class 3
Connectors Material	Body: Stainless Steel 303, Passivated. Insulator: PTFE. Contact: BeCu, Gold-Plated.				
Solder Alloys Used	Sn 96.5, Ag 3.0, Cu 0.5				

REV	DESCRIPTION	DATE	APPROVED
0	Replacement of WMPD04-0.5-6-X	1-1-2018	ETW
1	ECN 1285	2-8-2018	ETW

Specifications subject to change without notice.  
 This document shall not form part of a contract.

SIZE <b>A</b>	CAGE CODE 78YZ0	DRWG NO. SPEC-WMPD04-0.5-6-X-A1	REV. 1
SCALE 1 : N/A		SHEET	