



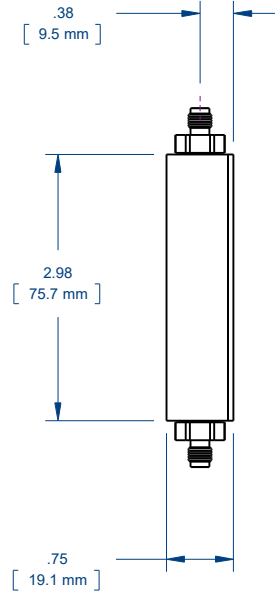
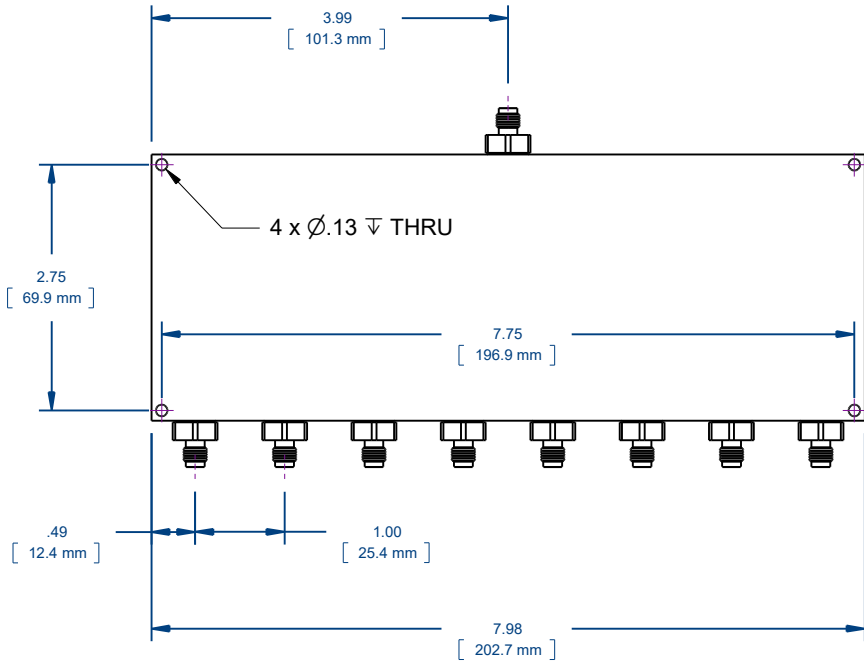
Model WMPD08-1-2-X-B2 Power Divider

8-way Microstrip, 1-2GHz, SMA or N-Female

RoHS
Compliant

UNLESS OTHERWISE SPECIFIED:
 DIMENSIONS ARE IN INCHES
 [mm] SHOWN FOR CONVENIENCE
 TOLERANCES ON:
 2 PL DECIMALS: ± .03
 3 PL DECIMALS: ± .015
 ANGLES: ± 1°

| Connectors | Order Part Number |
|------------|--------------------------|
| SMA-Female | WMPD08-1-2-S-B2 |
| N-Female | WMPD08-1-2-N-B2 |
| Other | Special, Consult Factory |



| Electrical Specifications | Min | Typ | Max | Unit | Notes |
|---------------------------|-----|-----|------|------|---|
| Frequency Range | 1 | | 2 | GHz | |
| Impedance | | 50 | | Ohms | |
| Insertion Loss | | | 1.6 | dB | Above 9.03 dB loss due to splitting. |
| Amplitude Unbalance | | | 0.8 | dB | |
| Phase Unbalance | | | 6 | deg | |
| Isolation | 20 | | | dB | |
| Common Port VSWR | | | 1.35 | :1 | |
| Split Ports VSWR | | | 1.25 | :1 | |
| Input Power | | | 30 | W | Coherent splitting into load VSWR 1.20:1 max. |
| Mechanical Specifications | Min | Typ | Max | Unit | Notes |
| Operating Temperature | -55 | | +85 | °C | Tested at +25 °C. |
| Storage Temperature | -55 | | +125 | °C | |
| Relative Humidity | | | 85 | % | Non-condensing. |
| Operating Environment | | | | | Indoor use only. |
| Enclosure Material | | | | | Aluminum Alloy 6061 and 5052 |
| Enclosure Finish | | | | | RoHS Compliant Clear Chemical Film per MIL-DTL-5541 Class 3 |
| Connectors Material | | | | | Body: Stainless Steel 303 Contact Pin: Beryllium Copper, Gold Plate Insulator: PTFE |
| Solder Alloy | | | | | Sn 96.5, Ag 3.0, Cu 0.5 |

Specifications subject to change without notice.
 This document shall not form part of a contract.

SIZE
A

CAGE CODE
78YZ0

DRWG NO.
SPEC-WMPD08-1-2-X-B2

REV.
0

SCALE 1 : N/A

SHEET