



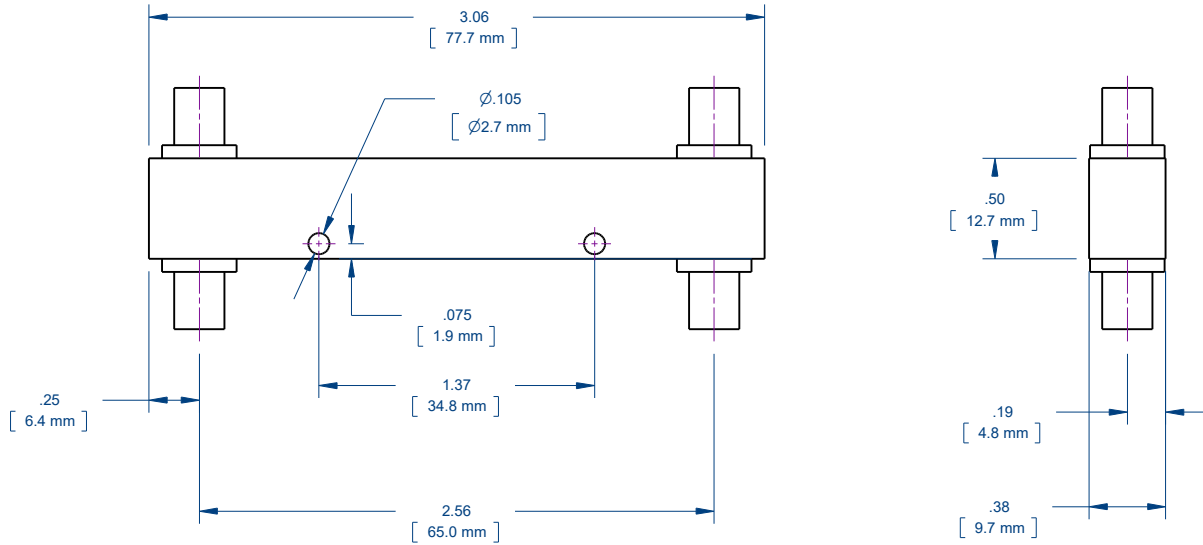
Made in U.S.A.

90-degree Quadrature Hybrid

Stripline, 0.5-1GHz, SMA-Female

RoHS
Compliant

UNLESS OTHERWISE SPECIFIED:
 DIMENSIONS ARE IN INCHES
 [mm] SHOWN FOR CONVENIENCE
 TOLERANCES ON:
 2 PL DECIMALS: ± .03
 3 PL DECIMALS: ± .015
 ANGLES: ± 1°



Electrical Specifications	Min	Typ	Max	Unit	Notes
Frequency Range	0.5		1	GHz	
Impedance		50		Ohms	By design.
Coupling Nominal Value		3.1		dB	Obtained from VNA marker mean value.
Coupling Flatness			±0.6	dB	Obtained from VNA marker peak-to-peak value / 2.
Phase Unbalance		±2		deg	Centered at 90 degree phase shift between outputs.
Isolation	25			dB	
VSWR (All Ports)			1.2	:1	
Input Power (Avg, CW)			50	W	Coherent splitting into load VSWR 1.20:1 max.

Mechanical Specifications	Min	Typ	Max	Unit	Notes
Operating Temperature	-55		+85	°C	Tested at +25 °C.
Relative Humidity			85	%	Non-condensing.
Operating Environment	Indoor use only.				
Enclosure Material	Aluminum Alloy 6061-T651				
Enclosure Finish	RoHS Complaint Clear Chemical Film per MIL-DTL-5541 Class 3				
Connectors Material	Body: Stainless Steel, Passivate Contact Pin: Beryllium Copper, Gold Plate Insulator: PTFE				
Solder Alloy	Sn 96.5, Ag 3.0, Cu 0.5				
Weight	1.2 oz nominal.				

REV	DESCRIPTION	DATE	APPROVED
0	Engineering release.	3-8-2018	ETW

Specifications subject to change without notice.
 This document shall not form part of a contract.

SIZE A	CAGE CODE 78YZ0	DRWG NO. SPEC-WMQH-0.5-1-S	REV. 0
SCALE 1 : N/A		SHEET	