



Resistive Power Divider

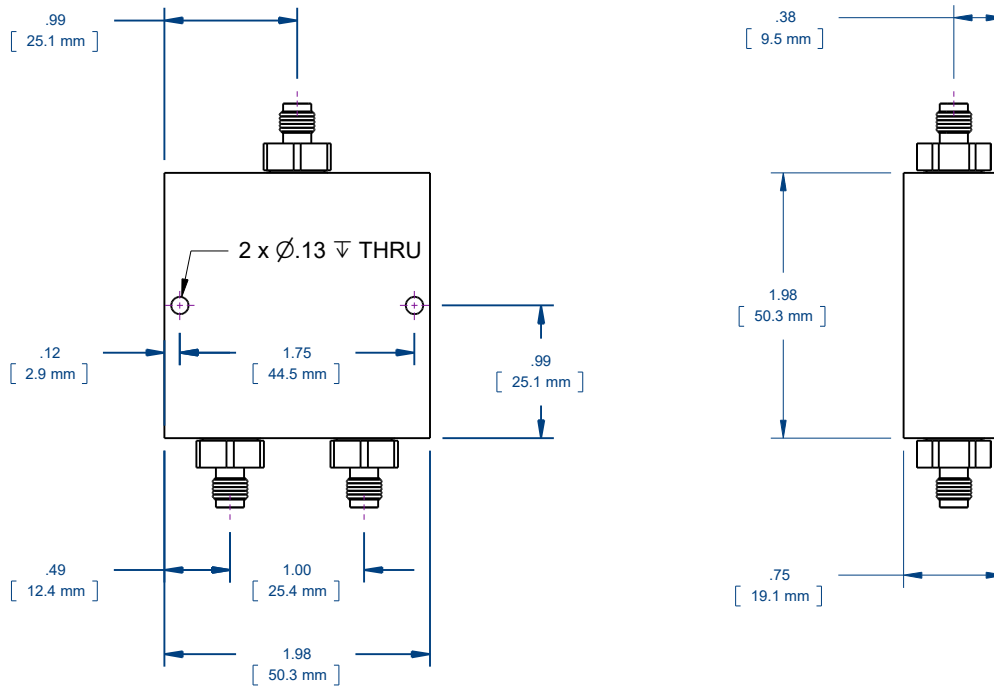
2-way Microstrip, DC-4.2GHz, SMA or N-Female

RoHS
Compliant

UNLESS OTHERWISE SPECIFIED:
 DIMENSIONS ARE IN INCHES
 [mm] SHOWN FOR CONVENIENCE
 TOLERANCES ON:
 2 PL DECIMALS: ± .03
 3 PL DECIMALS: ± .015
 ANGLES: ± 1°

- Features:**
- * Wide bandwidth from DC.
 - * Versatile lab instrument.
 - * Can be used in 5G applications.

Connectors	Order Part Number
SMA-Female	WMRD02-0-4.2-S-B2
N-Female	WMRD02-0-4.2-N-B2
Other	Special, Consult Factory



Electrical Specifications	Min	Typ	Max	Unit	Notes
Frequency Range	0		4.2	GHz	
Impedance		50		Ohms	Design to meet.
Insertion Loss			1.0	dB	Above 6 dB loss due to splitting.
Amplitude Unbalance			0.5	dB	
Phase Unbalance			5	deg	
Isolation	6			dB	
Common Port VSWR			1.5	:1	
Split Ports VSWR			1.5	:1	
Input Power			1	W	Coherent splitting into load VSWR 1.20:1 max.
Mechanical Specifications	Min	Typ	Max	Unit	Notes
Operating Temperature	-55		+85	°C	Tested at +25 °C.
Storage Temperature	-55		+125	°C	
Relative Humidity			85	%	Non-condensing.
Operating Environment					Indoor use only.
Enclosure Material					Aluminum Alloy 6061 and 5052
Enclosure Finish					RoHS Compliant Clear Chemical Film per MIL-DTL-5541 Class 3
Connectors Material					Body: Stainless Steel 303 Contact Pin: Beryllium Copper, Gold Plate Insulator: PTFE
Solder Alloy					Sn 96.5, Ag 3.0, Cu 0.5

Specifications subject to change without notice.
 This document shall not form part of a contract.

SIZE A	CAGE CODE 78YZ0	DRWG NO. SPEC-WMRD02-0-4.2-X-B2	REV. 0
SCALE 1 : N/A		SHEET	