



Resistive Power Divider

3-way Microstrip, DC-4.2GHz, SMA or N-Female

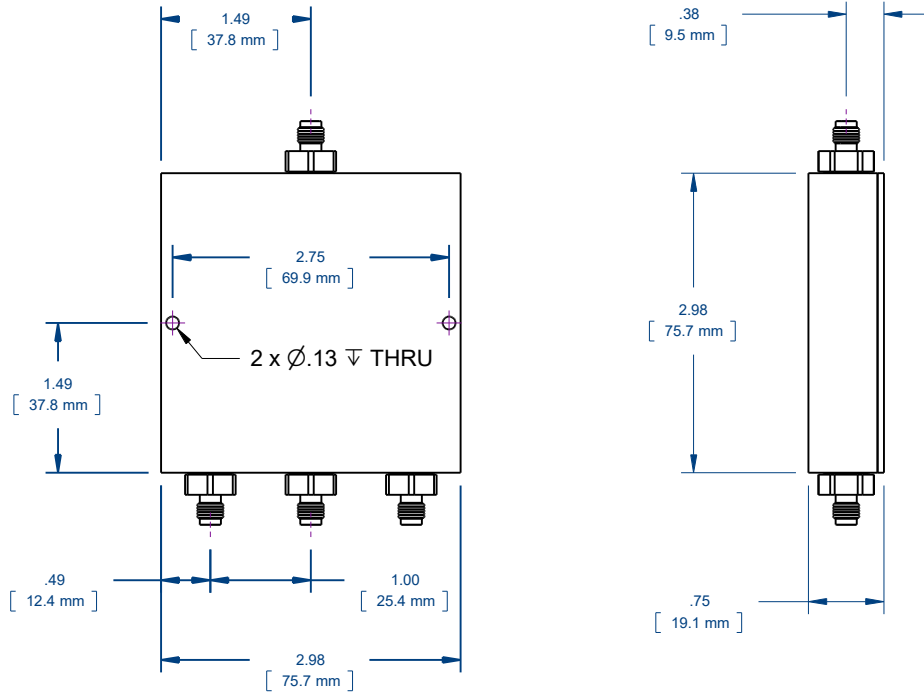
RoHS
Compliant

UNLESS OTHERWISE SPECIFIED:
DIMENSIONS ARE IN INCHES
[mm] SHOWN FOR CONVENIENCE
TOLERANCES ON:
2 PL DECIMALS: ± .03
3 PL DECIMALS: ± .015
ANGLES: ± 1°

Features:

- * Wide bandwidth to DC.
- * Can be used in 5G applications.

Connectors	Order Part Number
SMA-Female	WMRD03-0-4.2-S-B2
N-Female	WMRD03-0-4.2-N-B2
Other	Special, Consult Factory



Electrical Specifications	Min	Typ	Max	Unit	Notes
Frequency Range	0		4.2	GHz	
Impedance		50		Ohms	By design.
Insertion Loss			1.2	dB	Above 9.54 dB theoretical loss due to splitting.
Amplitude Unbalance			0.8	dB	
Phase Unbalance			6	deg	
Isolation	9.5			dB	
Common Port VSWR			1.5	:1	
Split Ports VSWR			1.5	:1	
Input Power			1	W	Coherent splitting into load VSWR 1.20:1 max.

Mechanical Specifications	Min	Typ	Max	Unit	Notes
Operating Temperature	-55		+85	°C	Tested at +25 °C.
Storage Temperature	-55		+125	°C	Design to meet.
Relative Humidity			85	%	Non-condensing.
Operating Environment	Indoor use only.				
Enclosure Material	Aluminum Alloy 6061 and 5052				
Enclosure Finish	RoHS Complaint Clear Chemical Film per MIL-DTL-5541 Class 3				
Connectors Material	Body: Stainless Steel 303; Contact Pin: Beryllium Copper, Gold Plate; Insulator: PTFE				
Solder Alloy	Sn 96.5, Ag 3.0, Cu 0.5				

Specifications subject to change without notice.
This document shall not form part of a contract.

SIZE A	CAGE CODE 78YZ0	DRWG NO. SPEC-WMRD03-0-4.2-X-B2	REV. 0
SCALE 1 : N/A		SHEET	