

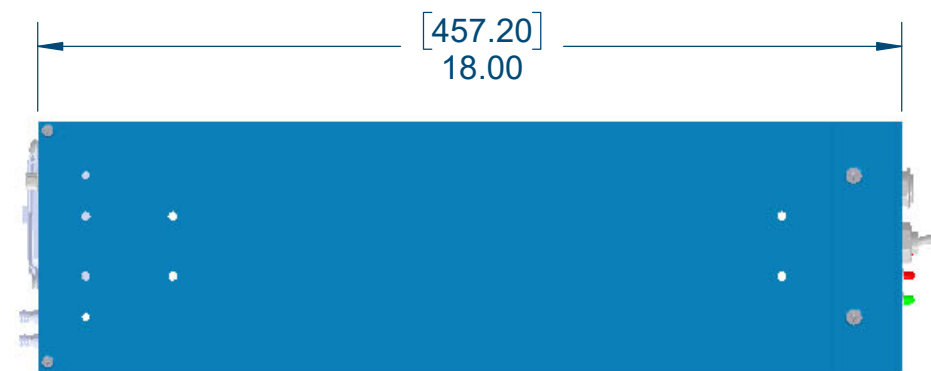
DESCRIPTION:

PMI MODEL NUMBER PA-50-DC6G-SFF-X8 IS A CHASSIS CONTAINING 16 AMPLIFIERS WITH THE ABILITY TO INDIVIDUALLY TERMINATE UNUSED INPUT PORTS INTERNALLY INTO 50 OHMS. THE MINIMUM GAIN IS 50 dB WITH AN OUTPUT PSAT OF +33 dBm.

ZONE	REV.	DESCRIPTION	DATE	APPROVED
	A1	ORIGINAL RELEASE	9/9/2025	

SPECIFICATIONS:

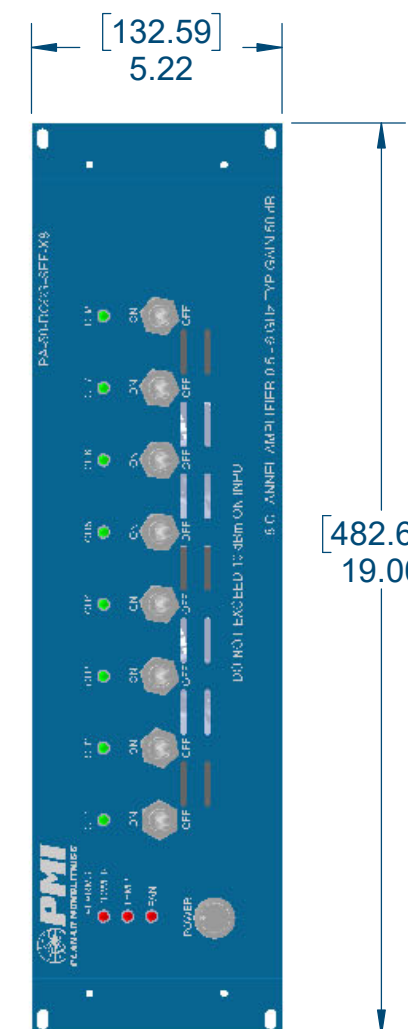
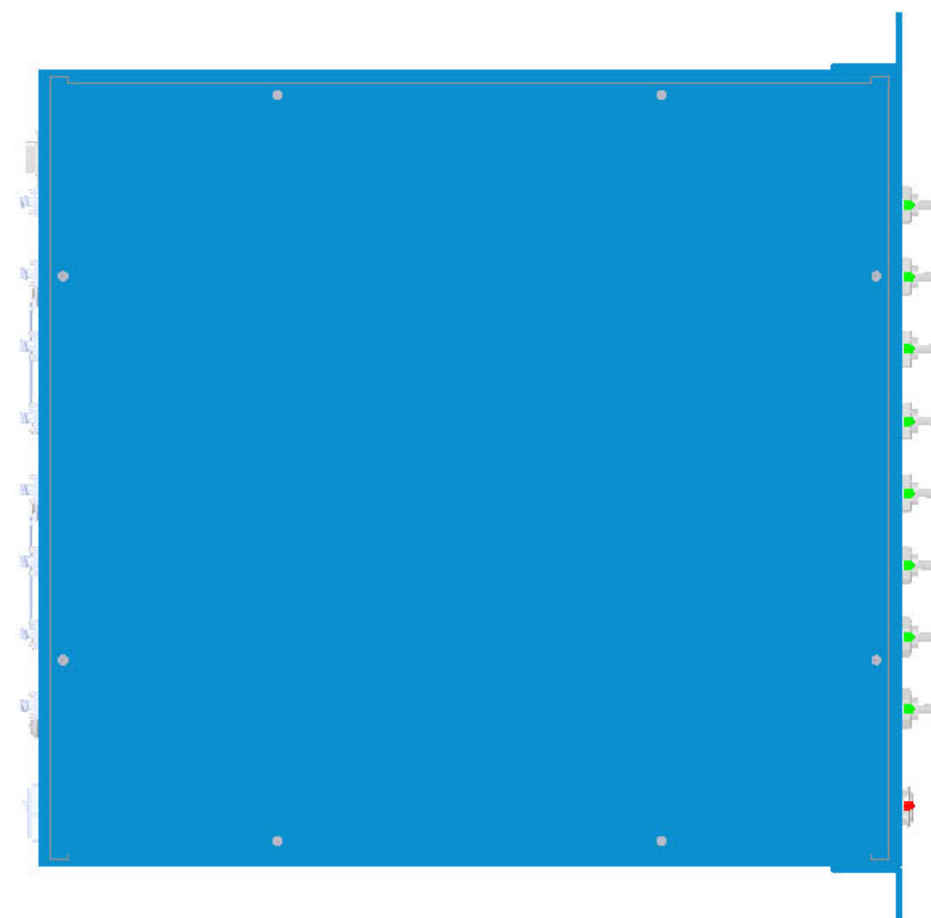
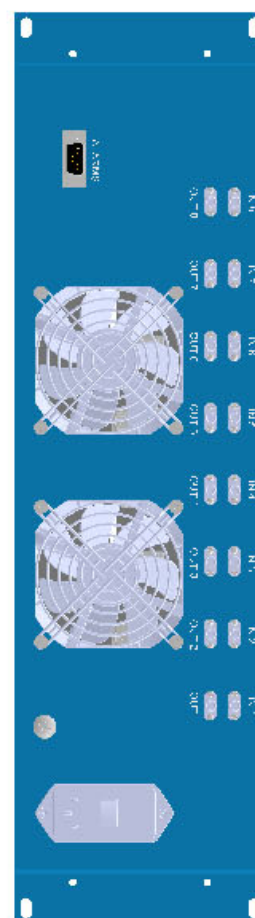
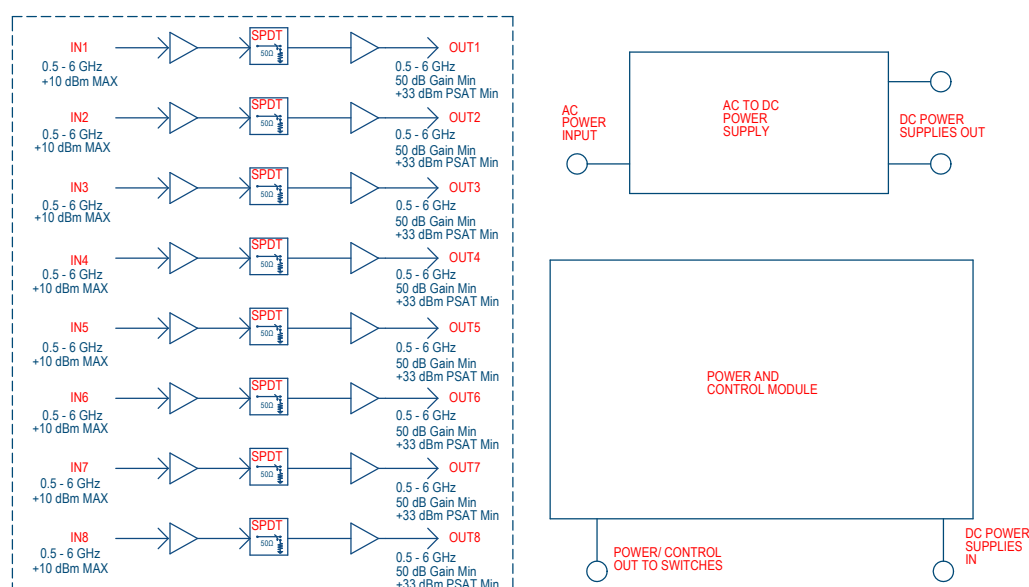
- FREQUENCY RANGE:..... 0.5 TO 6 GHz
- NUMBER OF CHANNELS:..... 8 (8 INPUTS, 8 OUTPUTS)
- MAXIMUM INPUT POWER:..... +10 dBm
- GAIN (WITH 0 dB ATTENUATION):..... 50 dB NOMINAL
- PSAT:..... +33 dBm MINIMUM
- INPUT SPDT SWITCH:..... THROUGH OR INPUT TERMINATED INTO 50 OHM
- CONNECTORS:..... RF IN/ OUT: SMA FEMALE
- POWER SUPPLY:..... 100-240 VAC 50/60 Hz
- SIZE:..... 3U 19" RACK MOUNT CHASSIS 20" DEEP MAXIMUM
- FINISH:..... POWDER COATED BLUE



ENVIRONMENTAL RATINGS:

- TEMPERATURE:..... 10°C TO +30°C (OPERATING)

CONCEPTUAL BLOCK DIAGRAM:



PMI CONFIDENTIAL AND PROPRIETARY

NOTE: SPECIFICATIONS WILL VARY OVER TEMPERATURE
 NOTE: THE ABOVE SPECIFICATIONS ARE SUBJECT TO CHANGE OR REVISION

APPROVALS		DATE	TITLE			
DRAWN	M.LAULIS	9/9/2025	OUTLINE			
REDRAWN			PA-50-DC6G-SFF-X8			
ISSUED			SIZE	FSCM NO.	DWG NO.	REV.
			B	05XQ0	27053300	A1
UNLESS OTHERWISE SPECIFIED DIMENSIONS ARE IN INCHES TOLERANCES ARE:			SCALE	SHEET 1 OF 1		
FRACTIONS	DECIMALS	ANGLES	1:8			
±	.XX ± 0.02	±				
	.XXX ± 0.01					

Quantic PMI
 PLANAR MONOLITHICS
 7309-A GROVE ROAD FREDERICK MARYLAND 21704 USA
 TEL: (301) 662-5019, FAX: (301) 662-1731
 WEB: WWW.QUANTICPMI.COM, EMAIL: SALES@QUANTICPMI.COM
 ISO 9001 CERTIFIED