

DESCRIPTION:

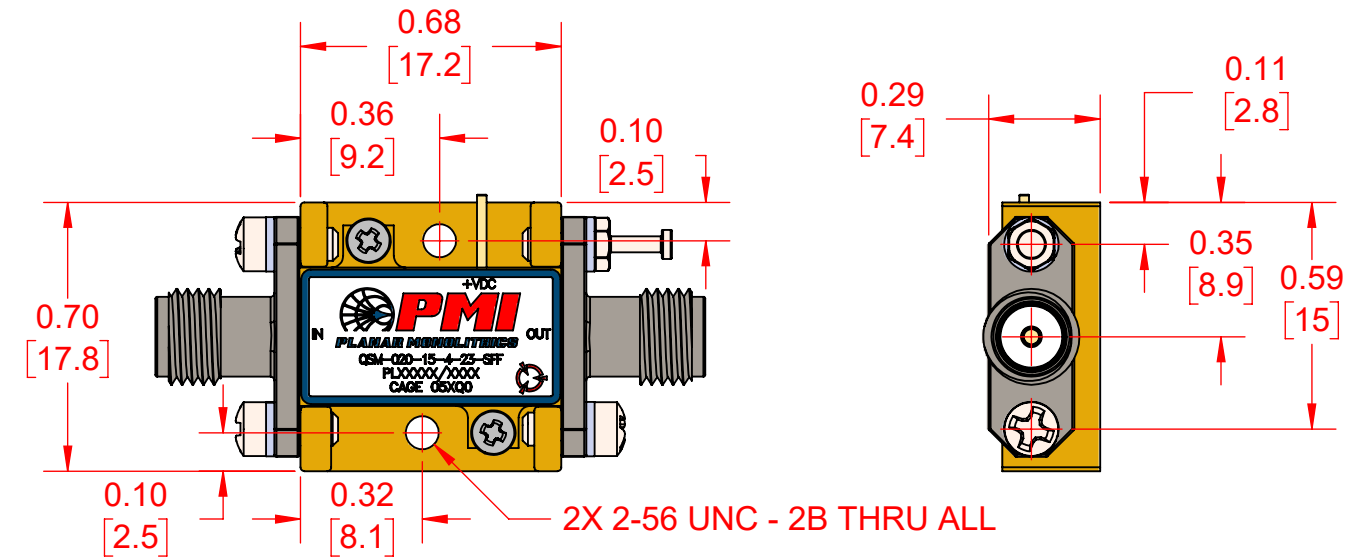
PMI MODEL NUMBER: QSM-020-15-4-23-SFF IS A 0.5 TO 18 GHz AMPLIFIER. THIS AMPLIFIER IS SUPPLIED IN HOUSING THAT CAN BE USED AS AN SMA CONNECTORIZED OR A SURFACE MOUNT COMPONENT.

ZONE	REV.	DESCRIPTION	DATE	APPROVED
	A1	ORIGINAL RELEASE	9/1/2023	
	B1	ECN # 25-0081	3/17/2025	
	C1	ECN #26-0119	5/26/2026	

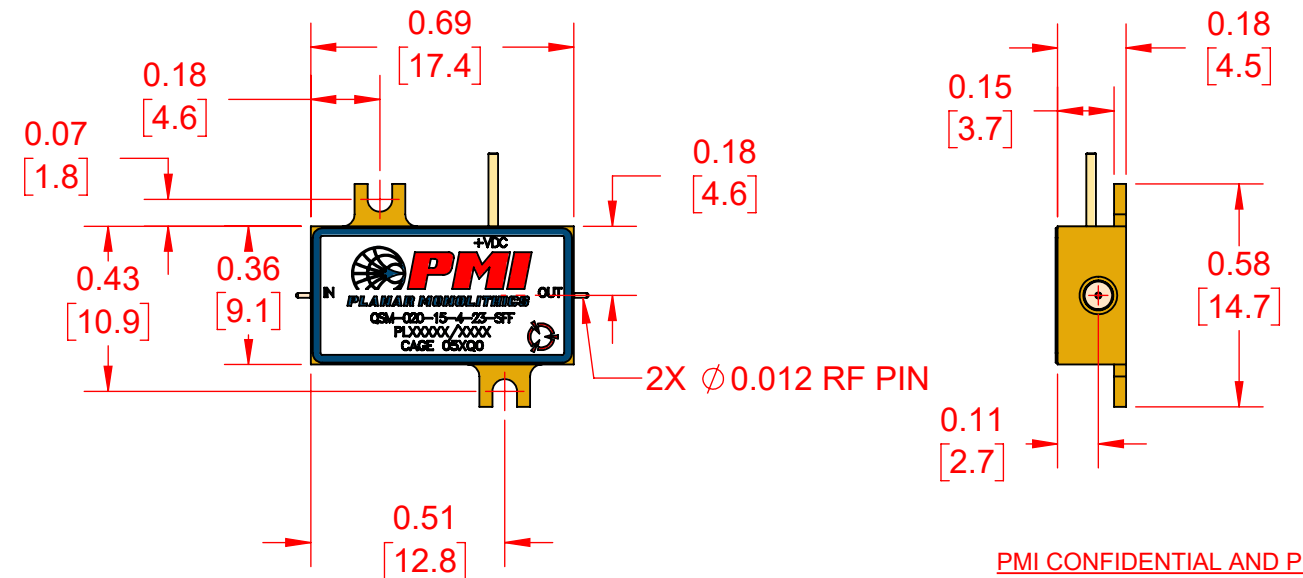
SPECIFICATIONS:

- FREQUENCY RANGE:..... 0.5 TO 18 GHz
- GAIN:..... 16 dB TYP, 14 dB MIN
- GAIN FLATNESS:..... ±2.0 dB MAX
- NOISE FIGURE:..... 6 dB MAX ≥2GHz, 10dB MAX <2GHz
- OP1dB:..... 22 dBm TYP, 18 dBm MIN
- Psat:..... 26 dBm TYP, 24 dBm MIN
- HARMONICS:..... -23 dBc MIN @-5dBm INPUT POWER
-10 dBc MIN @7.5dBm INPUT POWER
-9 dBc MIN @20dBm INPUT POWER
- OIP3:..... +25 dBm MIN
- MAX RF INPUT POWER:..... +24 dBm CW MAX
- VSWR (INPUT/OUTPUT):..... 2.0:1 MAX
- DC VOLTAGE SUPPLY:..... NO RF: +12V to +15V @200 mA MAX Idq
@Psat: +12V to +15V @350 mA MAX
- CONNECTORS:..... SMA FEMALE
- FINISH:..... GOLD PLATED

HOUSING WITH CARRIER



HOUSING WITHOUT CARRIER (SURFACE MOUNT)



ENVIRONMENTAL RATINGS:

- TEMPERATURE:..... -55°C TO +85°C (OPERATING)
-55°C TO +100°C (STORAGE)
- HUMIDITY:..... MIL-STD-202, METHOD 103 COND. B
- SHOCK:..... MIL-STD-202, METHOD 213 COND. B
- ALTITUDE:..... MIL-STD-202, METHOD 105 COND. B
- TEMPERATURE CYCLE:..... MIL-STD-202, METHOD 107 COND. A

NOTE: SPECIFICATIONS WILL VARY OVER TEMPERATURE
NOTE: THE ABOVE SPECIFICATIONS ARE SUBJECT TO CHANGE OR REVISION

PMI CONFIDENTIAL AND PROPRIETARY

APPROVALS DRAWN R. Sirk REDRAWN I.Cossio ISSUED		DATE 9/1/2023	TITLE OUTLINE QSM-020-15-4-23-SFF		SIZE B	FSCM NO. 05XQ0	DWG NO. 27047200	REV. C1
UNLESS OTHERWISE SPECIFIED DIMENSIONS ARE IN INCHES TOLERANCES ARE: FRACTIONS DECIMALS ANGLES ± .XX ± 0.02 ± .XXX ± 0.01			WEB: WWW.QUANTICPMI.COM, EMAIL: SALES@QUANTICPMI.COM TEL: (301) 662-5019, FAX: (301) 662-1731 7309-A GROVE ROAD, FREDERICK, MARYLAND 21704 USA ISO 9001 CERTIFIED		SCALE 2:1		SHEET 1 OF 1	