

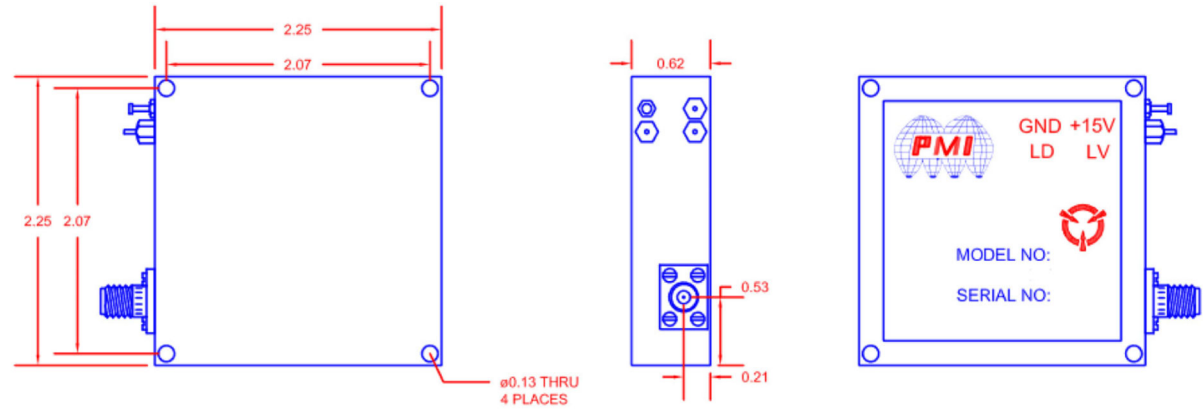
DESCRIPTION:

PMI MODEL NUMBER PLDRO-1D645G-13DBM-INT-SFF IS A 1.645 GHz OSCILLATOR FEATURING AN INTERNAL REFERENCE, HIGH ACCURACY, AND +13 dBm OUTPUT POWER.

REVISIONS				
ZONE	REV.	DESCRIPTION	DATE	APPROVED
	-	PRELIMINARY	06/22/26	

SPECIFICATIONS:

- FREQUENCY: 1.645 GHz
- REFERENCE: INTERNAL
- WARM UP TIME: 5 MINUTES MAX
- FREQUENCY ACCURACY: ±1 PPM MAX @ 25°C
- FREQUENCY STABILITY: ±2 PPM MAX OVER TEMP
- OUTPUT LEVEL: +13 dBm MIN
- SPURIOUS: -80 dBc MAX
- HARMONICS: -20 dBc MAX
- LOAD VSWR: 1.5:1
- PHASE NOISE (@ 25°C): -102 dBc/Hz MAX @ 100 Hz
 -126 dBc/Hz MAX @ 1 kHz
 -131 dBc/Hz MAX @ 10 kHz
 -131 dBc/Hz MAX @ 100 kHz
 -140 dBc/Hz MAX @ 1 MHz
- SUPPLY VOLTAGE: +15 VDC ± 10%
- CURRENT: 450 mA TYP
 850 mA MAX
- LOCK DETECT: TTL HIGH = LOCK
- CONNECTORS: SMA (F)
- FINISH: NICKEL PLATED



ENVIRONMENTAL RATINGS

- **TEMPERATURE:** -40°C TO +70°C (OPERATING)
 -50°C TO +80°C (STORAGE)
- **HUMIDITY:** MIL-STD-202, METHOD 103 COND. B
- **SHOCK:** MIL-STD-202, METHOD 213 COND. B
- **VIBRATION:** MIL-STD-202, METHOD 204 COND. B
- **ALTITUDE:** MIL-STD-202, METHOD 105 COND. B
- **TEMPERATURE CYCLE:** MIL-STD-202, METHOD 107 COND. A

PMI CONFIDENTIAL AND PROPRIETARY

PLANAR MONOLITHICS INDUSTRIES, INC.

7309-A GROVE ROAD
 FREDERICK, MARYLAND 21704 USA
 TEL: 301-662-5019 FAX: 301-662-1731
 WEBSITE: www.pmi-rf.com
 E-MAIL: sales@pmi-rf.com
 ISO 9001 CERTIFIED



NOTE: SPECIFICATIONS WILL VARY OVER OPERATING TEMPERATURE
 NOTE: THE ABOVE SPECIFICATIONS ARE SUBJECT TO CHANGE OR REVISION

ALL DIMENSIONS ARE IN INCHES
 TOLERANCES:
 X.XX ±0.020
 X.XXX ±0.010
 WEIGHT: 2.75 oz.

APPROVALS		DATE	TITLE		
DRAWN AG		06/22/26	PRODUCT FEATURE		
CHECKED			PLDRO-1D645G-13DBM-INT-SFF		
ISSUED			SIZE	FSCM NO.	DWG NO.
			A	05XQ0	PRELIMINARY
SCALE N:S				SHEET	1 OF 1