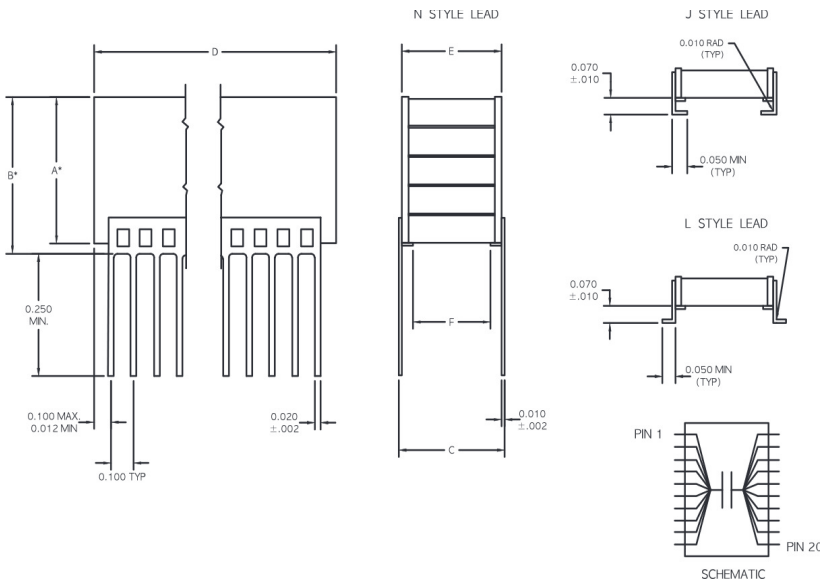


# SMPS- Switch Mode Power Supply Filter Capacitors

UTC's broad line of switch mode power supply (SMPS) capacitor assemblies are ideal in today's high frequency input and output filtering, as well as high capacitance discharge circuits and high temperature filtering and decoupling. These parts have low equivalent series resistance (ESR) as well as low equivalent series inductance (ESL).

They are frequently used to replace tantalum and electrolytic capacitors in demanding applications. Our engineering staff is ready to address your need for application specific products meeting your unique requirements.



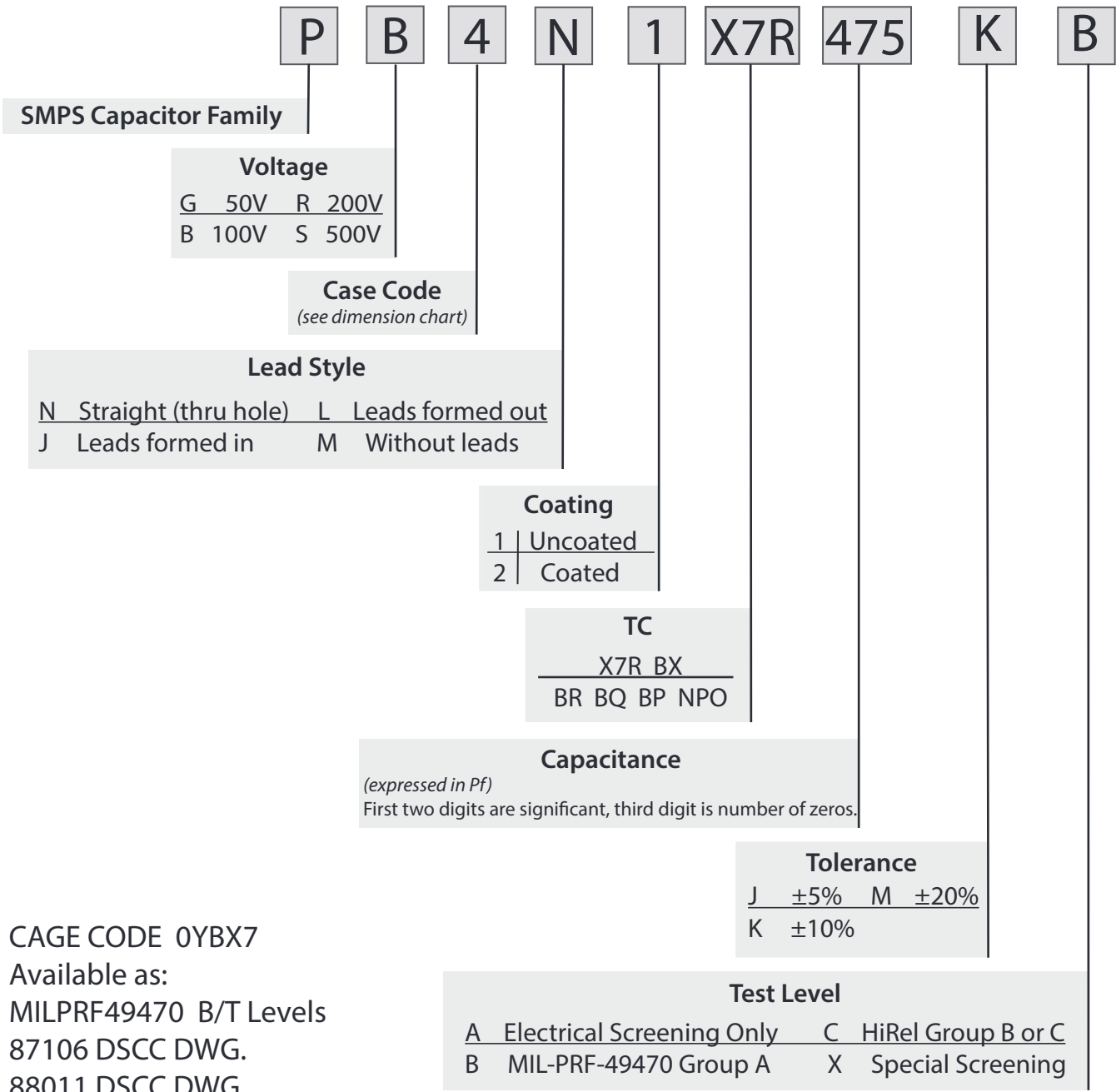
Case Code	C±.025	D		E(max)	Number of leads per side
		Min.	Max.		
1	.450	1.950	2.075	.500	20
2	.800	1.450	1.535	.870	15
3	.450	.950	1.075	.500	10
4	.400	.350	.425	.440	4
5	.250	.224	.275	.300	3
6	1.250	1.950	2.075	1.350	20

## Maximum Capacitance for each Case-Values in uF

Case Code	1				2				3			
Voltage	50V	100V	200V	500V	50V	100V	200V	500V	50V	100V	200V	500V
X7R	100	56.0	27.0	12.0	150	82.0	39.0	18.0	47.0	27.0	12.0	5.6
NPO	4.7	3.3	1.8	0.82	5.6	4.7	2.7	1.2	2.2	1.8	1.0	0.39

Case Code	4				5				6			
Voltage	50V	100V	200V	500V	50V	100V	200V	500V	50V	100V	200V	500V
X7R	15.0	8.2	3.9	1.8	5.6	3.3	1.5	0.68	270	180	120	39.0
NPO	0.56	0.47	0.27	0.12	0.27	0.22	0.1	0.047	15.0	12.0	5.6	2.2

# SMPS Ordering Terminology



CAGE CODE 0YBX7  
 Available as:  
 MILPRF49470 B/T Levels  
 87106 DSCC DWG.  
 88011 DSCC DWG.