

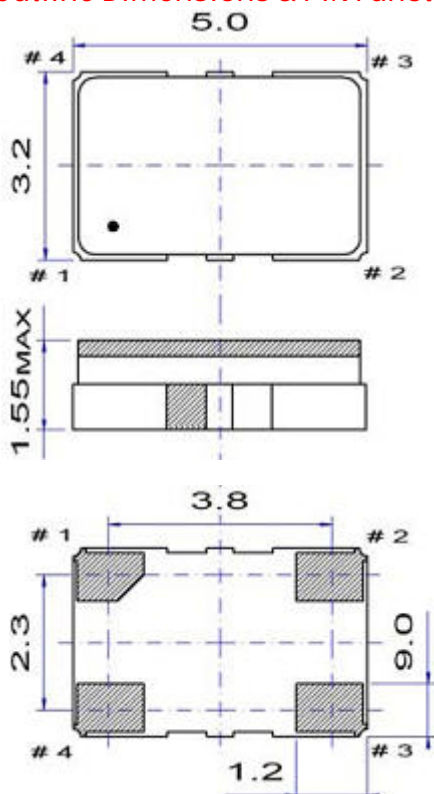
Specification

Nominal Frequency Fo	25.0000 MHz	
Frequency stability :	±4.6 ppm	over all
Inclusive frequency stability vs. temperature, tolerance @+25°C, aging 15 years, supply & load variation		
Frequency stability vs. temperature	≤ ±0.28 ppm	over -40 ~ +85 °C
Short term aging	≤ ±0.004 ppm	over 24 hours
Holdover stability including supply change of ±5 % and aging	≤ ±0.37 ppm	over 24 hours
Frequency tolerance ex factory	≤ ±0.5 ppm	@+25°C
Supply voltage	+3.3 V	± 5 %
Current consumption	< 6 mA	
Output waveform	CMOS	
Output level	V _{OH} ≥ 0.9 Vdc	V _{OL} ≤ 0.1 Vdc
Output load	15 pF	
Start-up time	< 6 ms	
Tri-state function	pin #9 high or open pin #9 low	pin #6 → oscillation pin #6 → high impedance
Phase noise @ 20 MHz carrier frequency	< -90 dBc/Hz < -120 dBc/Hz < -135 dBc/Hz < -145 dBc/Hz	@ 10 Hz @ 100 Hz @ 1 kHz @ 10 kHz
Operating temperature range	-40 ~ +85 °C	
Storage temperature range	-55 ~ +125 °C	
Packaging unit	tape & reel	1'000 pieces

Application

Network synchronisation

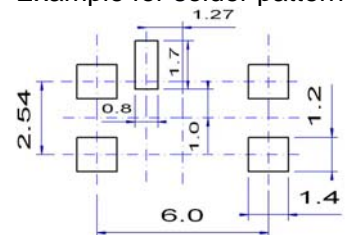
Outline Dimensions & PIN Function & Solder Pattern



Pin function

- # 1 GND
- # 2 GND
- # 3 Output
- # 4 Vdc

Example for solder pattern



Do not design any conductive path between the pattern

Example for IR reflow soldering temperature

