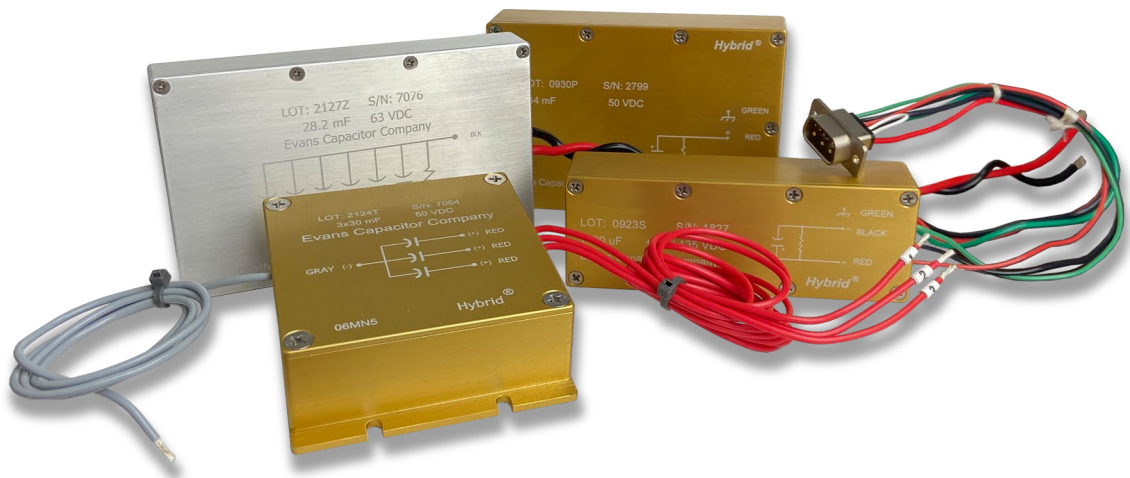


Quantic™ Evans



Capacitor Banks Product Datasheet

08.03.2022

Product Overview

Evanscap capacitor bank assemblies are available with either 3 or 6 internal capacitors. The internal capacitors shall utilize sintered tantalum anodes and ruthenium oxide coated cathodes operating in aqueous electrolyte. The components shall be potted and hermetically sealed in a welded tantalum case with a glass-to-metal anode terminal seal. The capacitors are potted in an aluminum housing with a screw-attached cover. All required bleed resistors are included.

Electrical Specifications

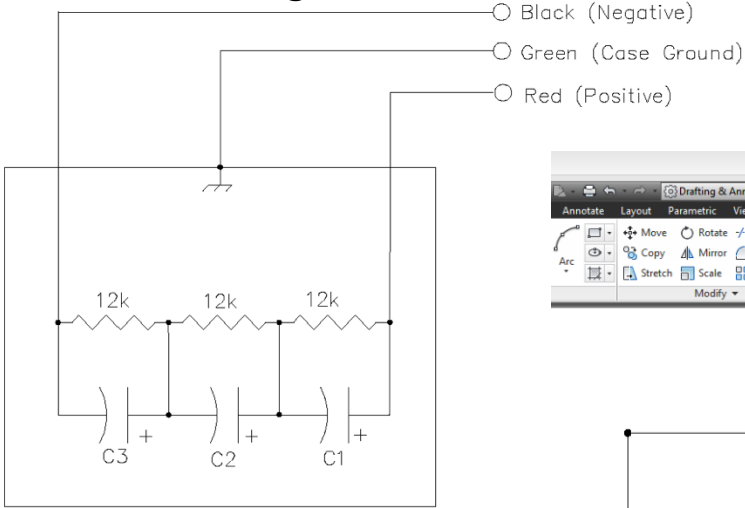
Rated Voltage Range	10VDC to 700VDC
Capacitance Range	1,100uF to 900,000uF
Life (@85°C)	Contact Factory for Informtaion

Mechanical Specifications

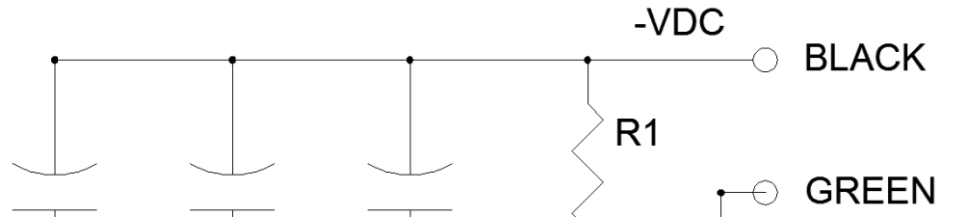
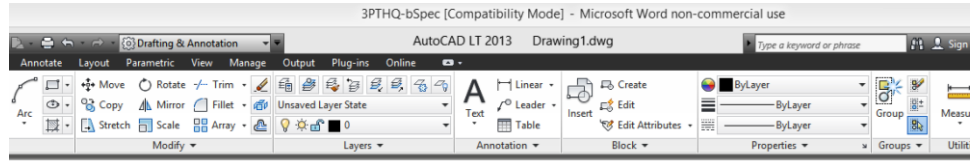
Test	Method	Condition	Remarks
Shock	MIL-STD-202 METHOD 213	G	Tested for 11ms at 50g
Vibration	MIL-STD-202 METHOD 204	D	12 sweeps/axis, 20g peak
	MIL-STD-202 METHOD 214	I, Letter D	1.5 hours/axis, 12g peak
Moisture Resistance	MIL-STD-202 METHOD 106		6V Polarity

Solderability	To ANSI J-STD-002
Operating Temperature Range	-55°C to +85°C
Storage Temperature Range	-62°C to +130°C

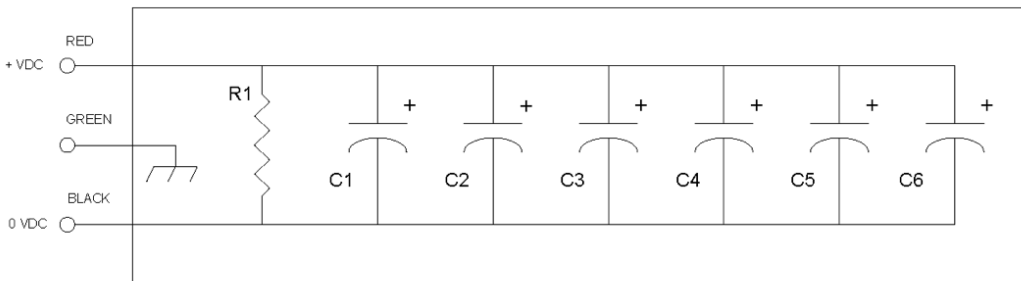
3STHQ3 Wiring Schematic



3PTHQ3 Wiring Schematic

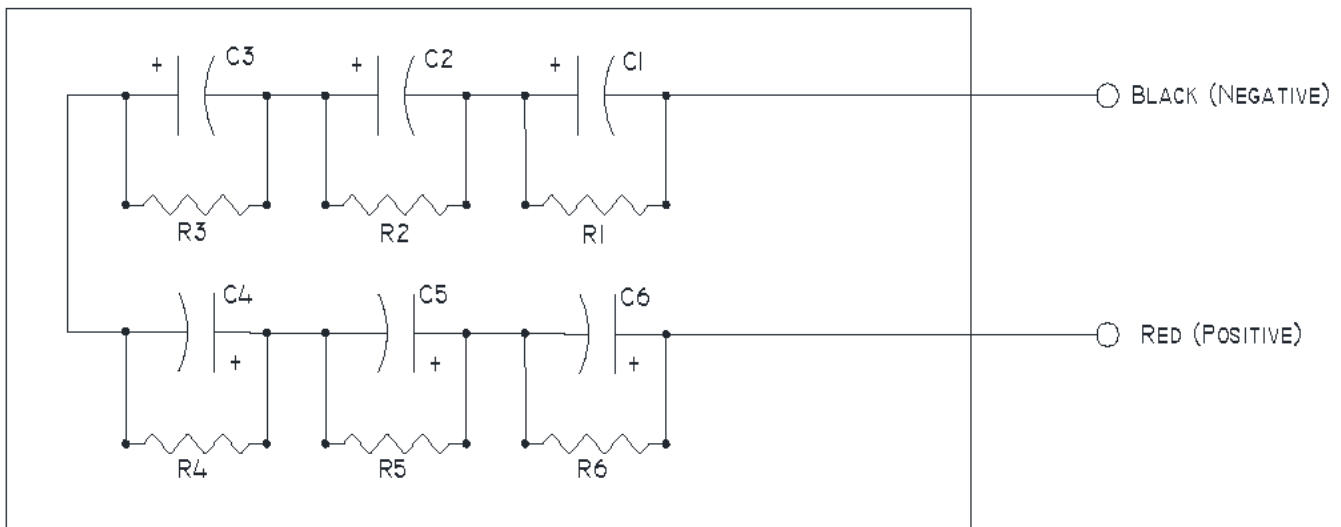


6PTHQ3 Wiring Schematic

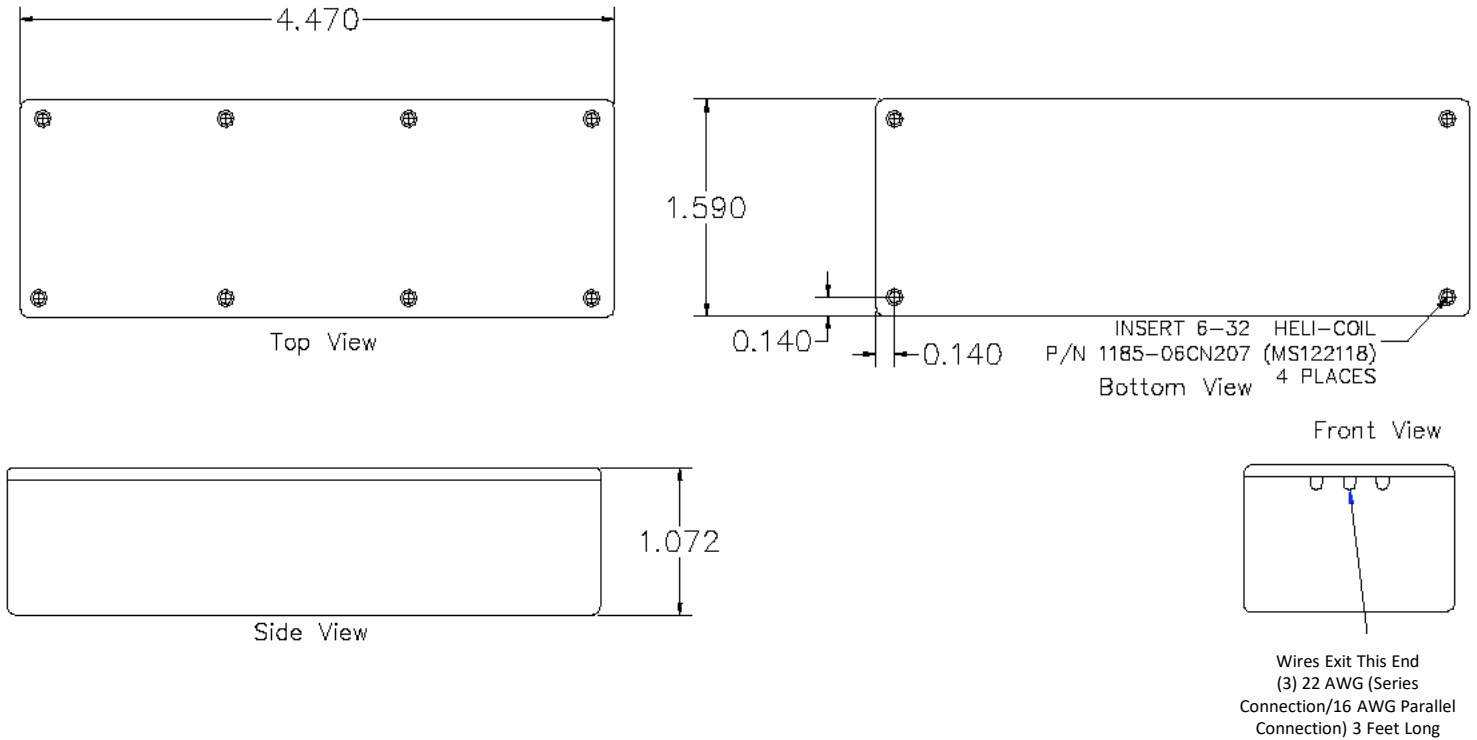


C1 - C6: P/N THQ3 series capacitors
R1: 2K ohm, 2W

6STHQ3 Wiring Schematic



2D Drawing - 3 Pack Assembly



2D Drawing - 6 Pack Assembly

