

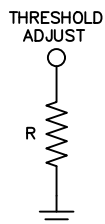
## DESCRIPTION

PMI MODEL TD-30T-218-FC-HS OPT052 IS A HIGH SPEED THRESHOLD DETECTOR DESIGNED TO OPERATE OVER THE 0.5 TO 2.0 GHz FREQUENCY RANGE. IT HAS AN EXTERNAL ADJUSTMENT TO VARY THE THRESHOLD LEVEL FROM -10 dBm TO -20 dBm, WITH AN INPUT FLATNESS OF TYPICALLY  $\pm 1.0$  dB AND VSWR OF LESS THAN 3.0:1. THIS UNIT COMES IN A VERY SMALL SIZE WITH FIELD REMOVABLE SMA CONNECTORS FOR SURFACE MOUNTING OR TYPICAL COAXIAL CONNECTION.

## SPECIFICATIONS

- FREQUENCY RANGE: 0.5 GHz TO 2.0 GHz MINIMUM
- VSWR: 3.0:1 MAXIMUM
- DYNAMIC RANGE: -20 dBm TO -10 dBm MINIMUM, (-20 dBm TO +5 dBm TYPICAL)
- INPUT FLATNESS:  $\pm 2.0$  dB MAXIMUM, ( $\pm 1.0$  dB TYPICAL)
- RESPONSE TIME: 100 ns MAXIMUM, (50 ns TYPICAL)
- OUTPUT: TTL
- POWER SUPPLY: +12V @ 100 mA MAXIMUM
- CONNECTORS:
  - RF: REMOVABLE SMA (FEMALE)
  - OUTPUT: REMOVABLE SMA (FEMALE)
  - THRESHOLD ADJUST: SOLDER PIN
- SIZE: 0.80" x 0.62" x 0.40"
- WEIGHT: 0.50 OUNCE
- FINISH: PAINTED GRAY

NOTE: THE THRESHOLD ADJUST PIN REQUIRES AN EXTERNAL RESISTOR TO GROUND. RESISTOR VALUES FOR -20 dBm AND -10 dBm WILL BE SUPPLIED WITH THE FINAL DATASHEET.



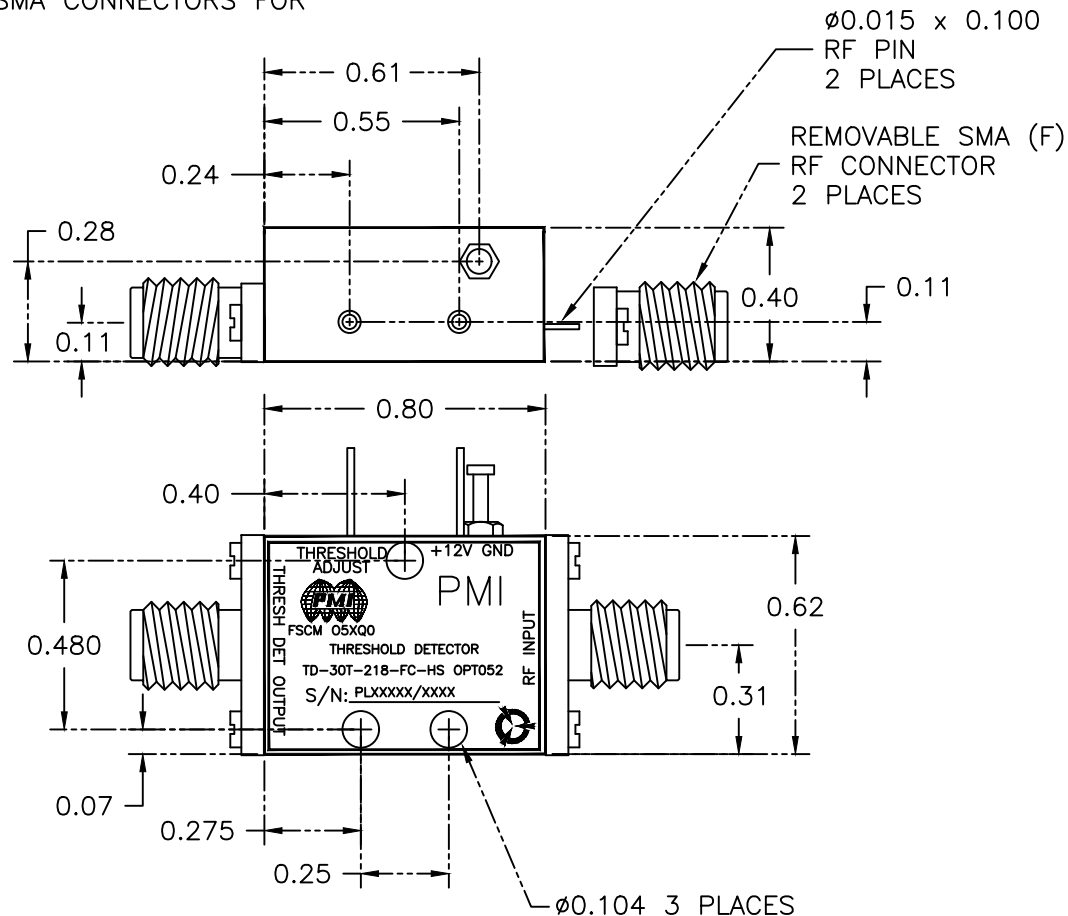
## ENVIRONMENTAL RATINGS:

- TEMPERATURE: -55°C TO +85°C (OPERATING)  
-65°C TO +125°C (STORAGE)
- HUMIDITY: MIL-STD-202F, METHOD 103B COND. B
- SHOCK: MIL-STD-202F, METHOD 213B COND. B
- VIBRATION: MIL-STD-202F, METHOD 204D COND. B
- ALTITUDE: MIL-STD-202F, METHOD 105C COND. B
- TEMPERATURE CYCLE: MIL-STD-202F, METHOD 107D COND. A

NOTE: SPECIFICATIONS WILL VARY OVER OPERATING TEMPERATURE  
NOTE: THE ABOVE SPECIFICATIONS ARE SUBJECT TO CHANGE OR REVISION

ALL DIMENSIONS ARE IN INCHES  
TOLERANCES:  
X.XX  $\pm 0.020$   
X.XXX  $\pm 0.010$

REVISIONS				
ZONE	REV.	DESCRIPTION	DATE	APPROVED
	A	ORIGINAL RELEASE	7/14/09	



## PLANAR MONOLITHICS INDUSTRIES, INC.

7311-F GROVE ROAD  
FREDERICK, MARYLAND 21704 USA  
TEL: 301-662-5019 FAX: 301-662-1731  
WEBSITE: [www.pmi-rf.com](http://www.pmi-rf.com)  
E-MAIL: [sales@pmi-rf.com](mailto:sales@pmi-rf.com)  
ISO 9001:2000 CERTIFIED

APPROVALS		DATE	TITLE		
DRAWN <i>KM</i>		7/14/09	PRODUCT FEATURE		
CHECKED			TD-30T-218-FC-HS OPT052		
ISSUED			0.5 - 2.0 GHz THRESHOLD DETECTOR		
SIZE	FSCM NO.	DWG NO.	REV.		
A	05XQ0	27011201	A		
SCALE N:S			SHEET 1 OF 1		