

DESCRIPTION:

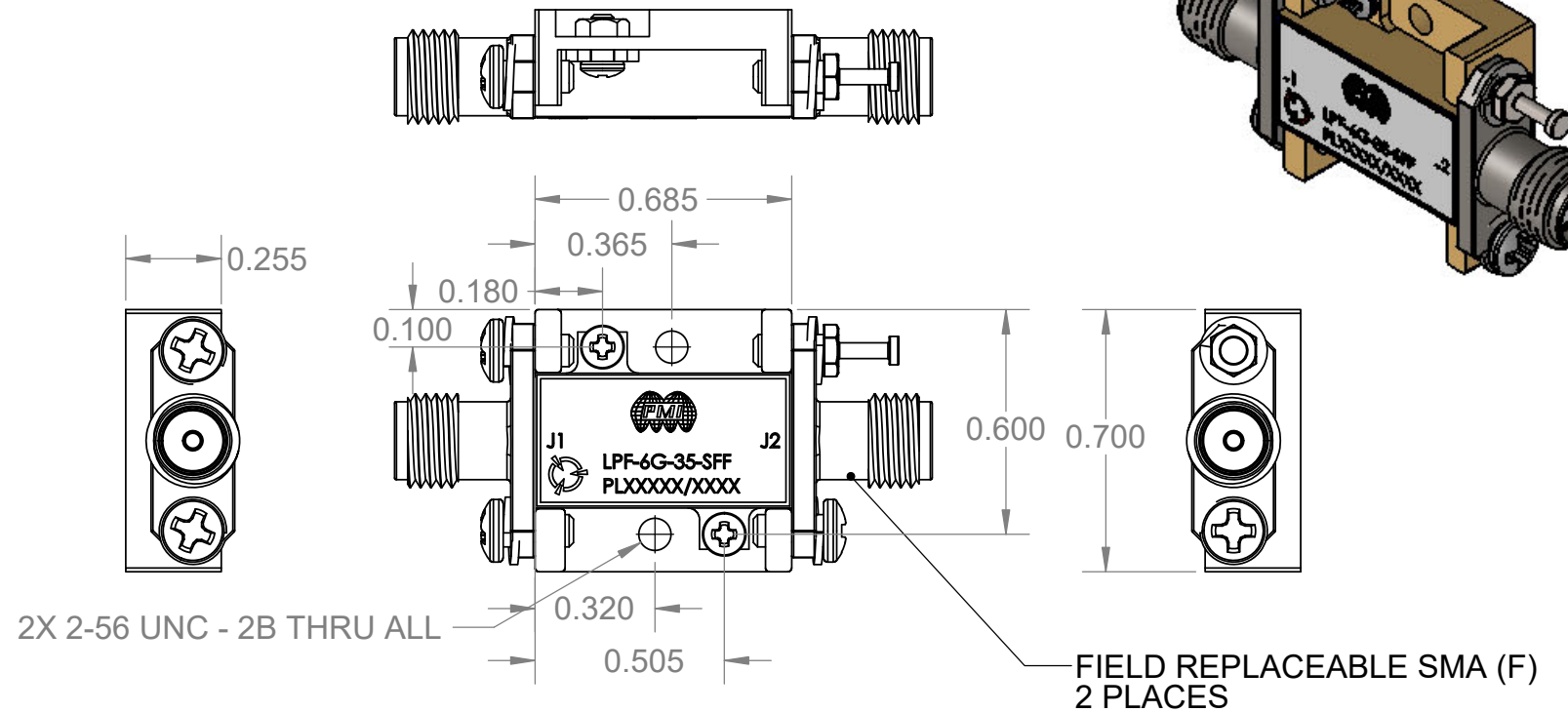
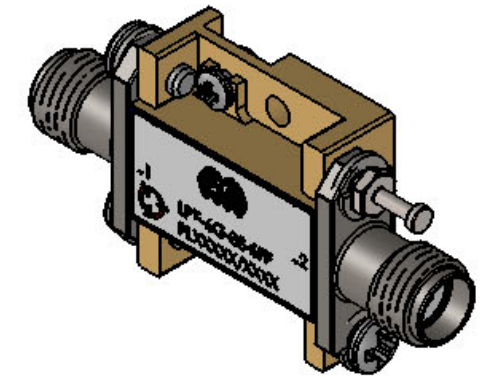
PLANAR MONOLITHICS INDUSTRIES MODEL NUMBER LPF-6G-35-SFF IS A LOWPASS FILTER WHICH OPERATES DC TO 18 GHz. THE PASSBAND IS FROM DC TO 4400 MHz MINIMUM AND THE FILTER HAS THE FOLLOWING SPECIFICATIONS.

ZONE	REV.	DESCRIPTION	DATE	APPROVED
	A1	ORIGINAL RELEASE	7/28/2020	
	B1	ECN # 25-0081	3/17/2025	

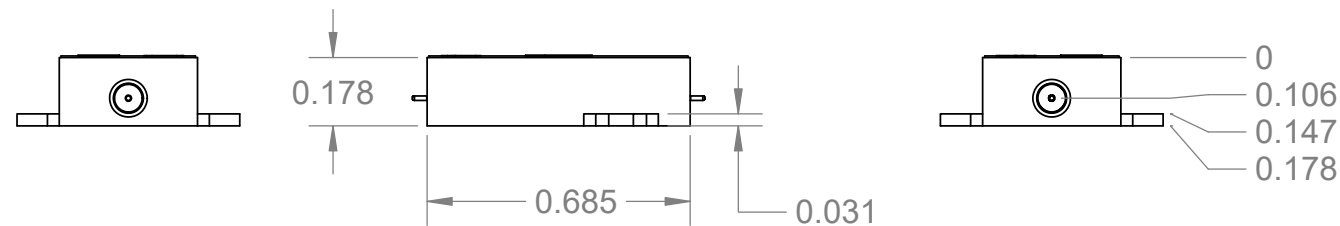
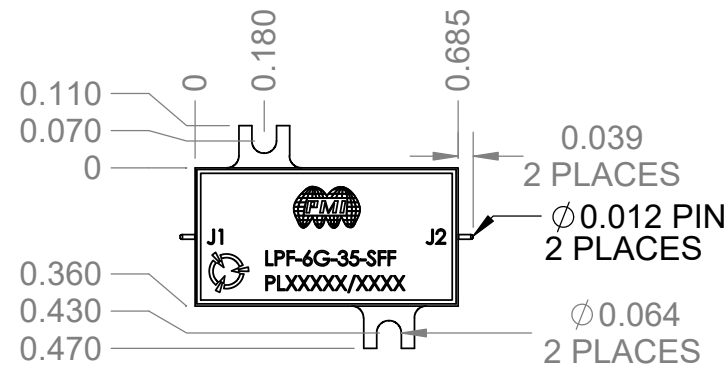
SPECIFICATIONS:

PASSBAND FREQUENCY RANGE:..... DC TO 4400 MHz MINIMUM
 -3 dB CUT-OFF FREQUENCY:..... 6950 MHz MAXIMUM
 PASSBAND INSERTION LOSS:..... 2 dB MAXIMUM
 PASSBAND VSWR:..... 2.0:1 MAXIMUM
 REJECTION:..... -35 dBc MINIMUM 9 - 18 GHz

- CONNECTORS:..... SMA FEMALE (FIELD REPLACEABLE)
- SIZE:..... 0.685" X 0.70" X 0.255"
- FINISH:..... GOLD PLATED



CARRIER AND CONNECTORS CAN BE REMOVED



ENVIRONMENTAL RATINGS:

- TEMPERATURE:..... -45°C TO +85°C (OPERATING)
 -65°C TO +150°C (STORAGE)

NOTE: THE ABOVE SPECIFICATIONS ARE SUBJECT TO CHANGE OR REVISION SPECIFICATIONS MAY VARY OVER TEMPERATURE

PMI CONFIDENTIAL AND PROPRIETARY

PLANAR MONOLITHICS INDUSTRIES, INC.
 7311-F GROVE ROAD
 FREDERICK, MARYLAND 21704 USA
 TEL: (301)-862-5019, FAX: (301)-662-1731
 WEB: www.pmi-rf.com, EMAIL: sales@pmi-rf.com
 ISO 9001 CERTIFIED

APPROVALS		DATE	TITLE			
DRAWN	D. DURBIN	7/28/2020	Lowpass Filter			
REDRAWN			LPF-6G-35-SFF			
ISSUED			SIZE	FSCM NO.	DWG NO.	REV.
			B	05XQ0	27039660	B1
			SCALE 2:1	SHEET 1 OF 1		

UNLESS OTHERWISE SPECIFIED
 DIMENSIONS ARE IN INCHES
 TOLERANCES ARE:
 FRACTIONS DECIMALS ANGLES
 ± .XX ± 0.02 ±
 .XXX ± 0.01