

ZONE	REV.	DESCRIPTION	DATE	APPROVED
	A1	ORIGINAL RELEASE	7/29/2020	
	B1	ECN # 25-0081	3/17/2025	

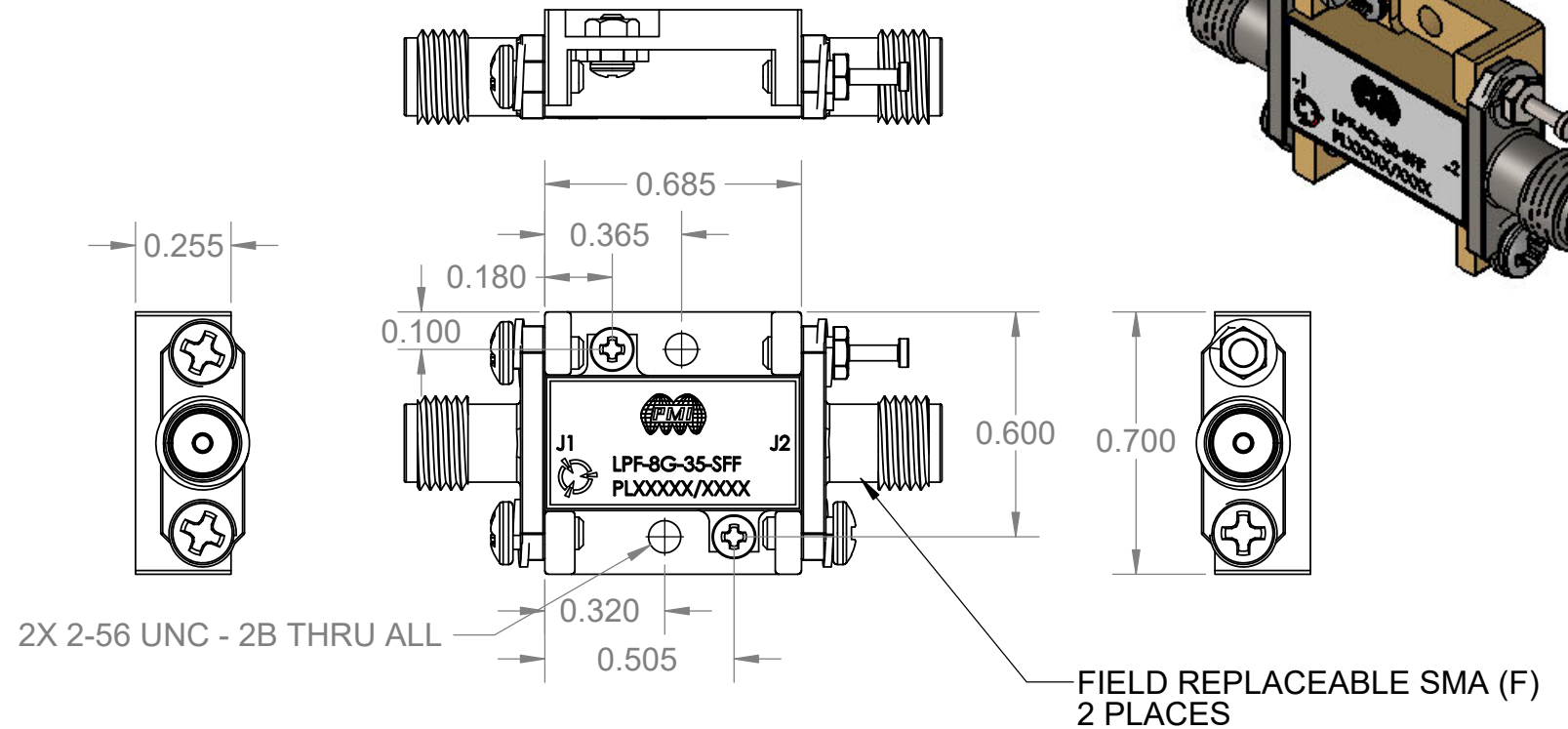
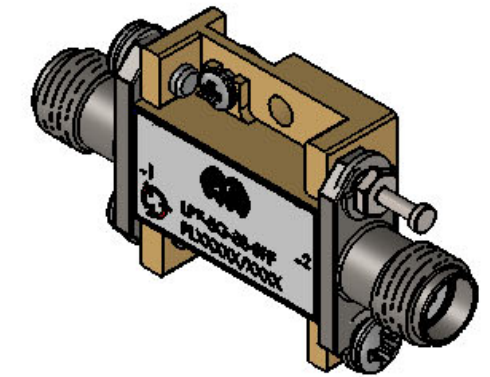
DESCRIPTION:

PLANAR MONOLITHICS INDUSTRIES MODEL NUMBER LPF-8G-35-SFF IS A LOWPASS FILTER WHICH OPERATES DC TO 18 GHz. THE PASSBAND IS FROM DC TO 6400 MHz MINIMUM AND THE FILTER HAS THE FOLLOWING SPECIFICATIONS.

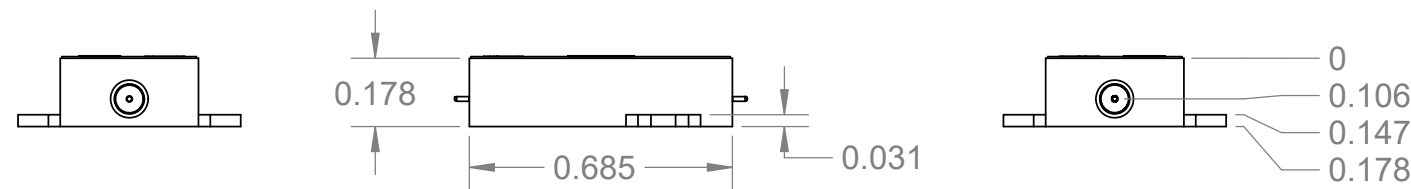
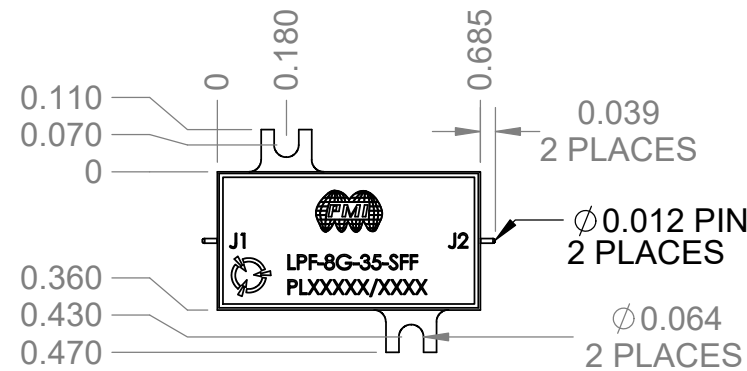
SPECIFICATIONS:

PASSBAND FREQUENCY RANGE:..... DC TO 6400 MHz MINIMUM
 -3 dB CUT-OFF FREQUENCY:..... 8500 MHz MAXIMUM
 PASSBAND INSERTION LOSS:..... 2 dB MAXIMUM
 PASSBAND VSWR:..... 2.0:1 MAXIMUM
 REJECTION:..... -35 dBc MINIMUM 9.5 - 18 GHz

- CONNECTORS:..... SMA FEMALE (FIELD REPLACEABLE)
- SIZE:..... 0.685" X 0.70" X 0.255"
- FINISH:..... GOLD PLATED



CARRIER AND CONNECTORS CAN BE REMOVED




ENVIRONMENTAL RATINGS:

- TEMPERATURE:..... -45°C TO +85°C (OPERATING)
 -65°C TO +150°C (STORAGE)

NOTE: THE ABOVE SPECIFICATIONS ARE SUBJECT TO CHANGE OR REVISION
 SPECIFICATIONS MAY VARY OVER TEMPERATURE

PMI CONFIDENTIAL AND PROPRIETARY

APPROVALS DRAWN D. DURBIN REDRAWN ISSUED		DATE 7/29/2020	PLANAR MONOLITHICS INDUSTRIES, INC.  7311-F GROVE ROAD FREDERICK, MARYLAND 21704 USA TEL: (301)-862-5019, FAX: (301)-662-1731 WEB: www.pmi-rf.com, EMAIL: sales@pmi-rf.com ISO 9001 CERTIFIED			
TITLE Lowpass Filter LPF-8G-35-SFF			SIZE B	FSCM NO. 05XQ0	DWG NO. 27039680	REV. B1
UNLESS OTHERWISE SPECIFIED DIMENSIONS ARE IN INCHES TOLERANCES ARE: FRACTIONS DECIMALS ANGLES \pm .XX \pm 0.02 \pm \pm .XXX \pm 0.01			SCALE 2:1	SHEET 1 OF 1		