

ZONE	REV.	DESCRIPTION	DATE	APPROVED
	A1	ORIGINAL RELEASE	7/29/2020	
	B1	ECN # 25-0081	3/17/2025	

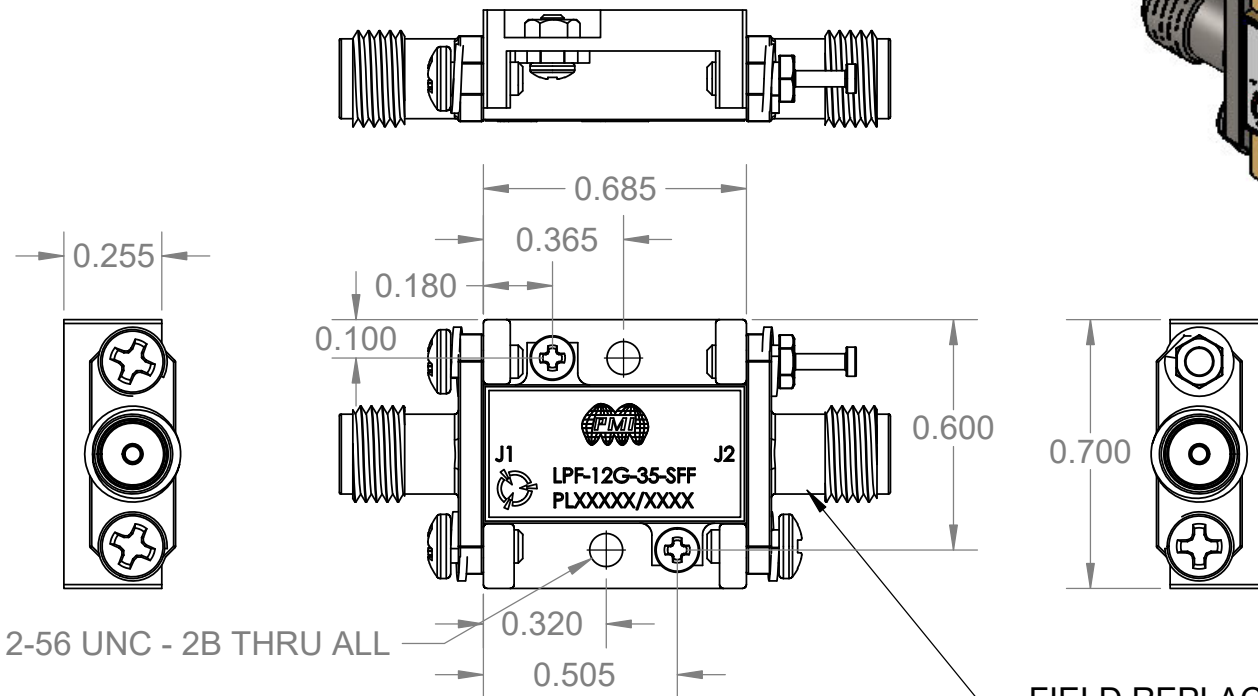
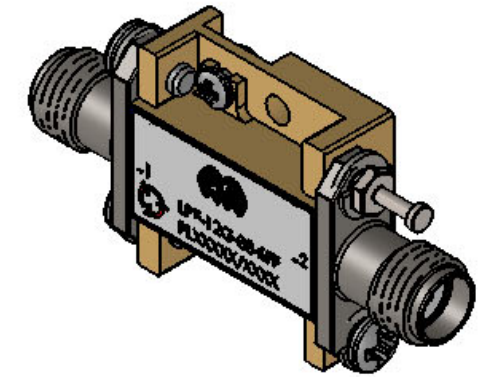
**DESCRIPTION:**

PLANAR MONOLITHICS INDUSTRIES MODEL NUMBER LPF-12G-35-SFF IS A LOWPASS FILTER WHICH OPERATES DC TO 18 GHz. THE PASSBAND IS FROM DC TO 10400 MHz MINIMUM AND THE FILTER HAS THE FOLLOWING SPECIFICATIONS.

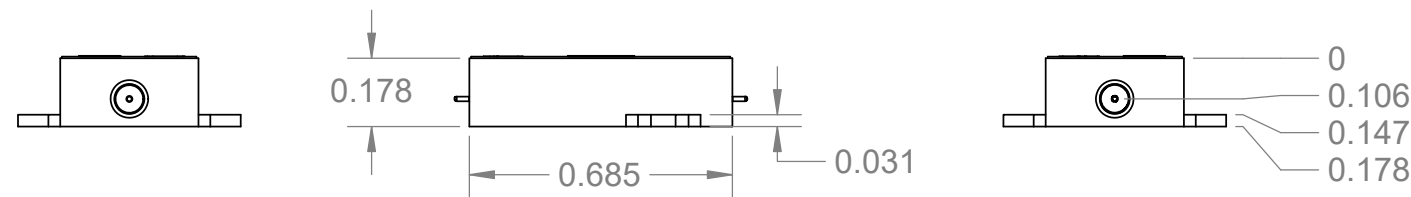
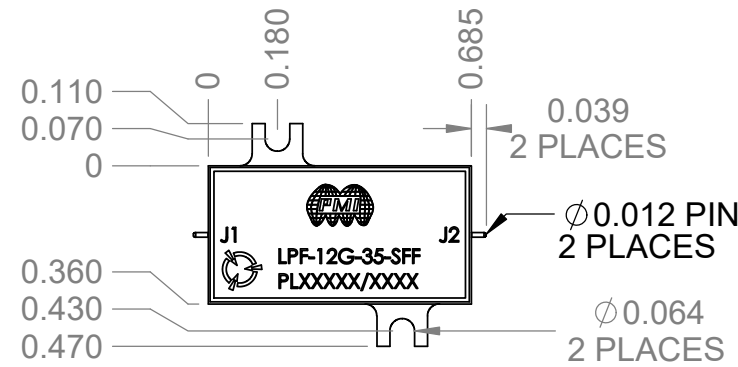
**SPECIFICATIONS:**

PASSBAND FREQUENCY RANGE:..... DC TO 10400 MHz MINIMUM  
 -3 dB CUT-OFF FREQUENCY:..... 12500 MHz MAXIMUM  
 PASSBAND INSERTION LOSS:..... 2 dB MAXIMUM  
 PASSBAND VSWR:..... 2.0:1 MAXIMUM  
 REJECTION:..... -35 dBc MINIMUM 16.5 - 18 GHz

- CONNECTORS:..... SMA FEMALE (FIELD REPLACEABLE)
- SIZE:..... 0.685" X 0.70" X 0.255"
- FINISH:..... GOLD PLATED



**CARRIER AND CONNECTORS CAN BE REMOVED**



2X 2-56 UNC - 2B THRU ALL

FIELD REPLACEABLE SMA (F) 2 PLACES

**ENVIRONMENTAL RATINGS:**

- TEMPERATURE:..... -45°C TO +85°C (OPERATING)  
 -65°C TO +150°C (STORAGE)

NOTE: THE ABOVE SPECIFICATIONS ARE SUBJECT TO CHANGE OR REVISION SPECIFICATIONS MAY VARY OVER TEMPERATURE

PMI CONFIDENTIAL AND PROPRIETARY

**PLANAR MONOLITHICS INDUSTRIES, INC.**  
 7311-F GROVE ROAD  
 FREDERICK, MARYLAND 21704 USA  
 TEL: (301)-862-5019, FAX: (301)-662-1731  
 WEB: www.pmi-rf.com, EMAIL: sales@pmi-rf.com  
 ISO 9001 CERTIFIED

APPROVALS		DATE	TITLE			
DRAWN	D. DURBIN	7/29/2020	Lowpass Filter			
REDRAWN			LPF-12G-35-SFF			
ISSUED			SIZE	FSCM NO.	DWG NO.	REV.
			B	05XQ0	27039720	B1
			SCALE 2:1	SHEET 1 OF 1		

UNLESS OTHERWISE SPECIFIED  
 DIMENSIONS ARE IN INCHES  
 TOLERANCES ARE:  
 FRACTIONS DECIMALS ANGLES  
 ± .XX ± 0.02 ±  
 .XXX ± 0.01