

**DESCRIPTION:**

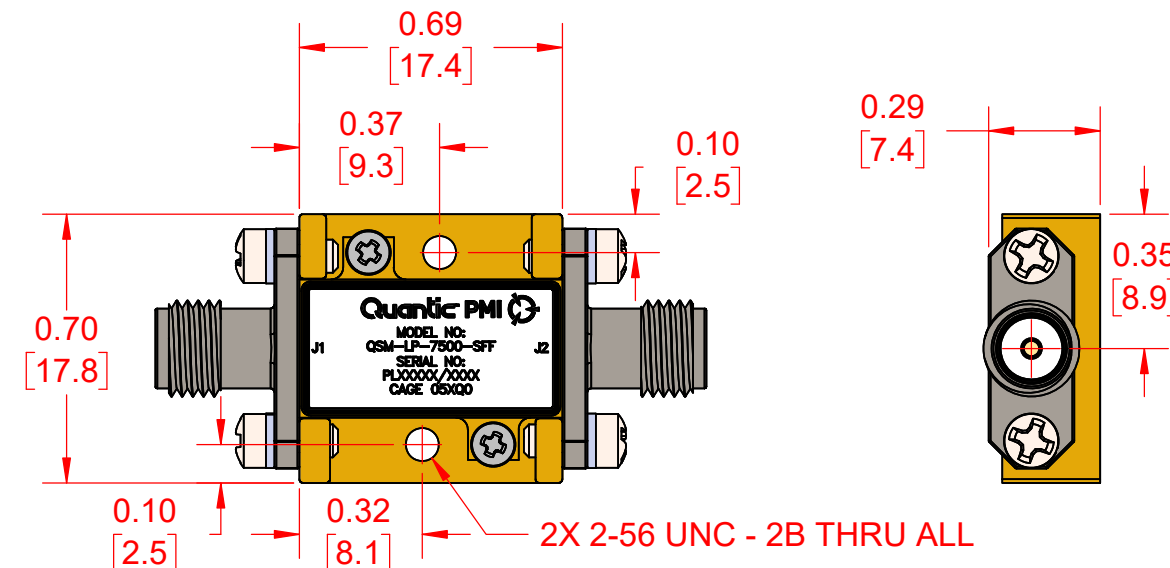
PMI MODEL NUMBER QSM-LP-7500-SFF IS A LOWPASS FILTER WITH SMA FEMALE CONNECTORS IN AND OUT.

ZONE	REV.	DESCRIPTION	DATE	APPROVED
	A1	ORIGINAL RELEASE	7/23/2024	
	B1	ECN # 25-0081	3/17/2025	

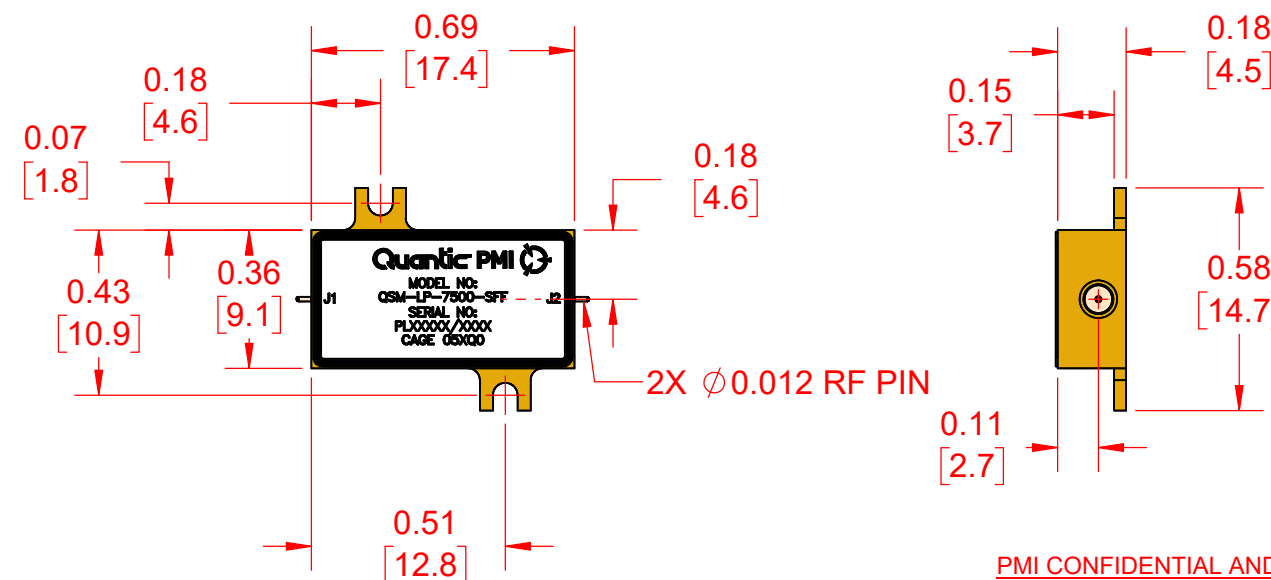
**SPECIFICATIONS:**

- FREQUENCY RANGE:..... DC TO 14.0 GHz
- PASSBAND:..... DC TO 7.5 GHz
- 3 dB CUTOFF:..... 8.0 GHz MIN
- VSWR (PASSBAND):..... 2.0:1 MAX
- INSERTION LOSS (PASSBAND):..... 3 dB MAX
- REJECTION AT 9.5 to 14 GHz:..... -35 dBc MIN
- CONNECTORS:..... SMA FEMALE CONNECTORS
- FINISH:..... GOLD PLATED

**HOUSING WITH CARRIER**



**HOUSING WITHOUT CARRIER (SURFACE MOUNT)**



**ENVIRONMENTAL RATINGS:**

- TEMPERATURE:..... -55°C TO +85°C (OPERATING)  
-65°C TO +125°C (STORAGE)
- HUMIDITY:..... MIL-STD-202, METHOD 103B COND. B
- SHOCK:..... MIL-STD-202, METHOD 213B COND. B
- VIBRATION:..... MIL-STD-202, METHOD 204D COND. B
- TEMPERATURE CYCLE:..... MIL-STD-202, METHOD 107D

NOTE: SPECIFICATIONS WILL VARY OVER TEMPERATURE  
NOTE: THE ABOVE SPECIFICATIONS ARE SUBJECT TO CHANGE OR REVISION

PMI CONFIDENTIAL AND PROPRIETARY

APPROVALS DRAWN <b>R. SIRK</b> REDRAWN ISSUED		DATE 7/23/2024		<b>Quantic PMI</b> PLANAR MONOLITHICS 7309-A GROVE ROAD FREDERICK MARYLAND 21704 USA TEL: (301) 662-5019, FAX: (301) 662-1731 WEB: WWW.QUANTICPMI.COM, EMAIL: SALES@QUANTICPMI.COM ISO 9001 CERTIFIED	
		TITLE OUTLINE QSM-LP-7500-SFF			
UNLESS OTHERWISE SPECIFIED DIMENSIONS ARE IN INCHES TOLERANCES ARE: FRACTIONS DECIMALS ANGLES ± .XX ± 0.02 ± XXX ± 0.01		SIZE B	FSCM NO. 05XQ0	DWG NO. 27049400	REV. B1
SCALE 2:1			SHEET 1 OF 1		