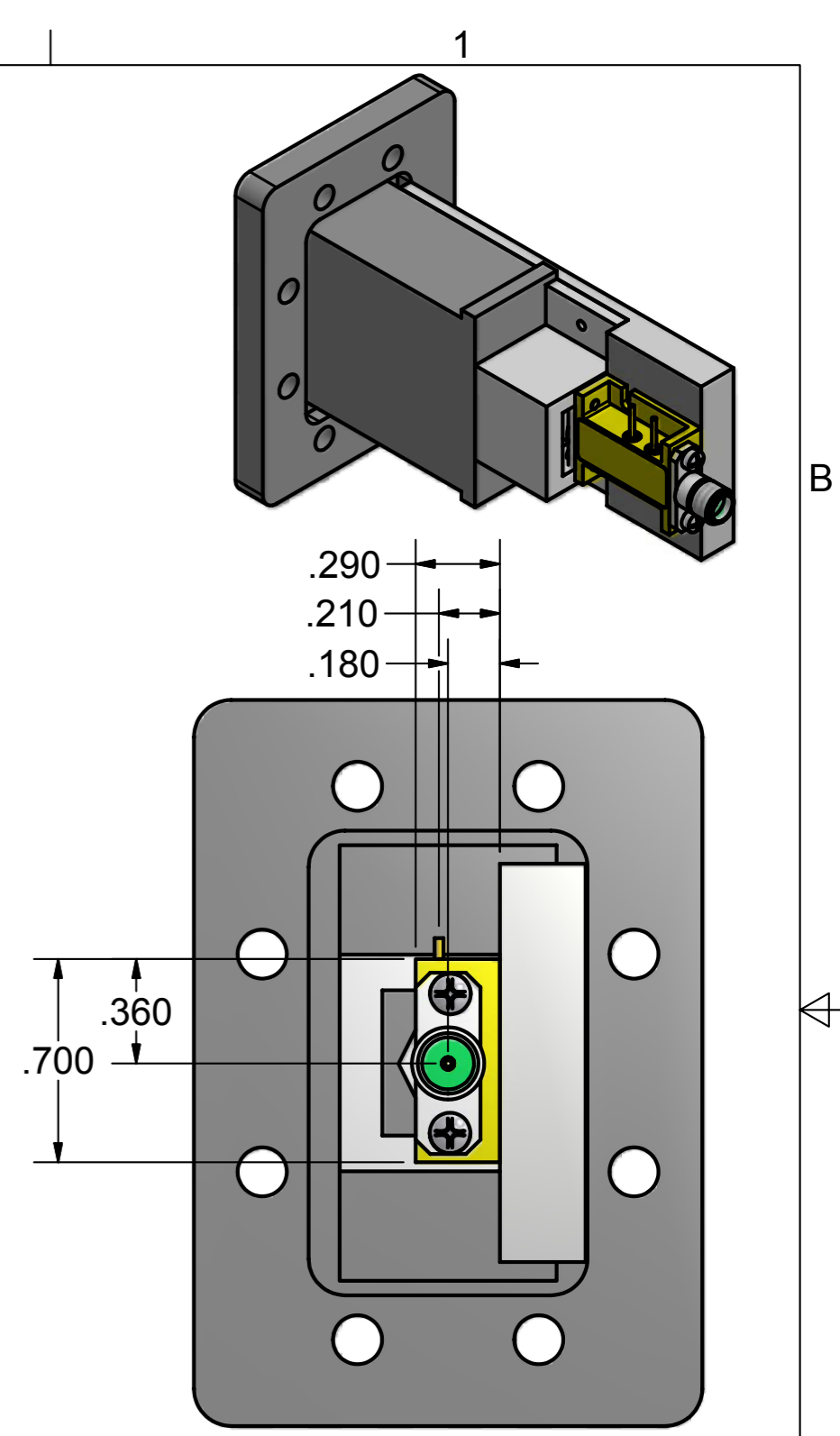
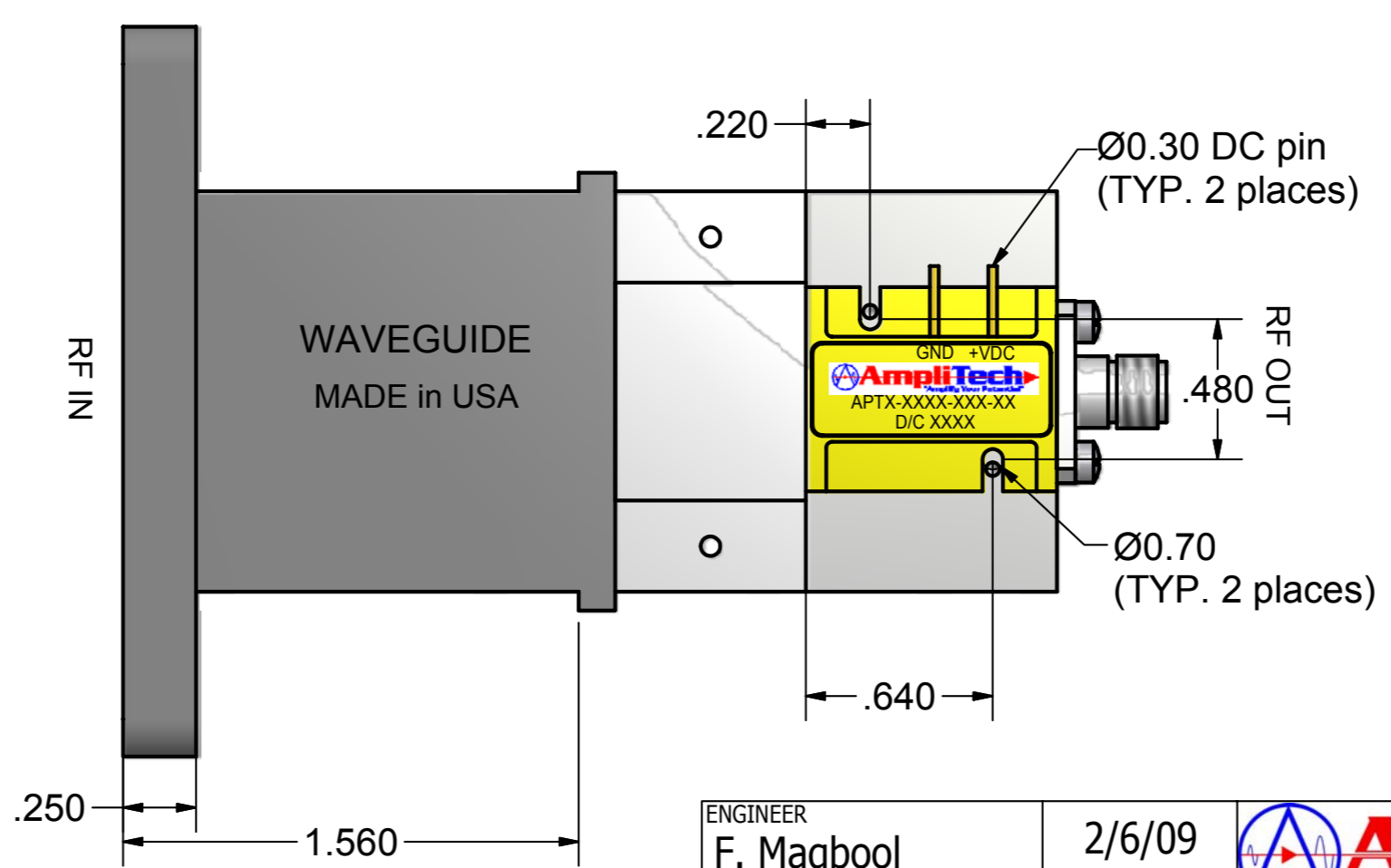
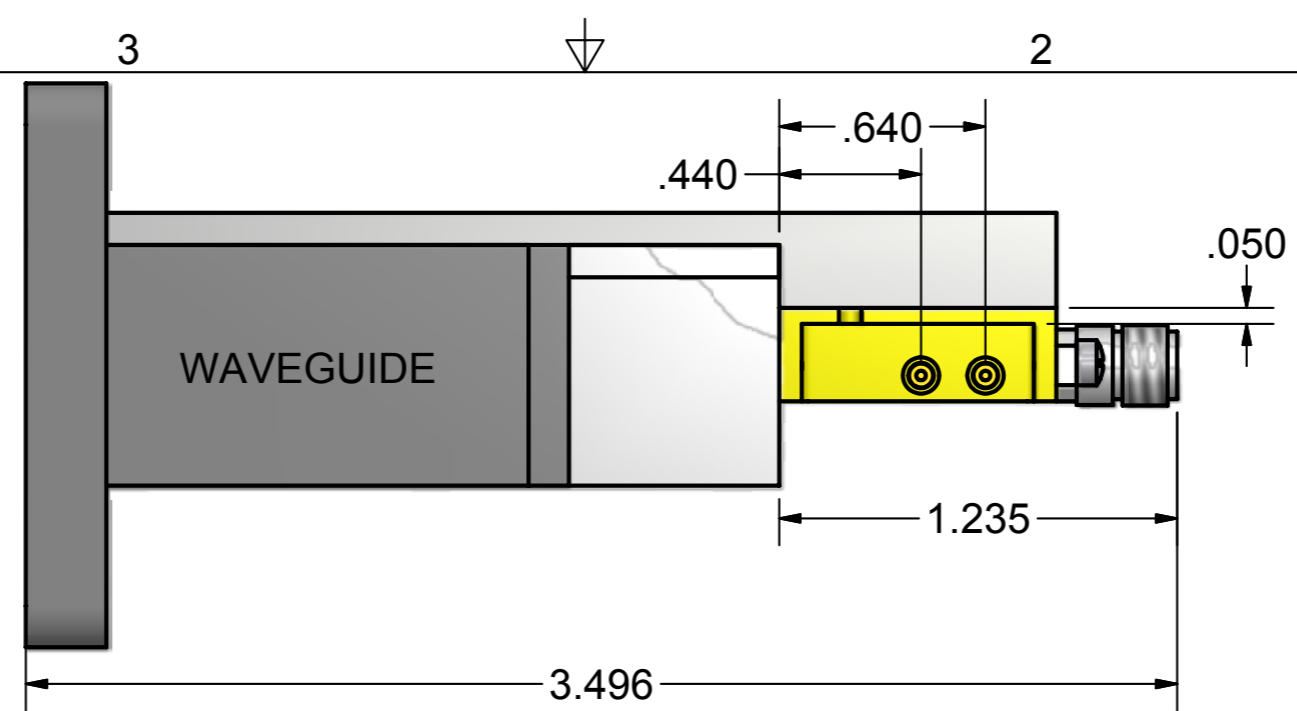
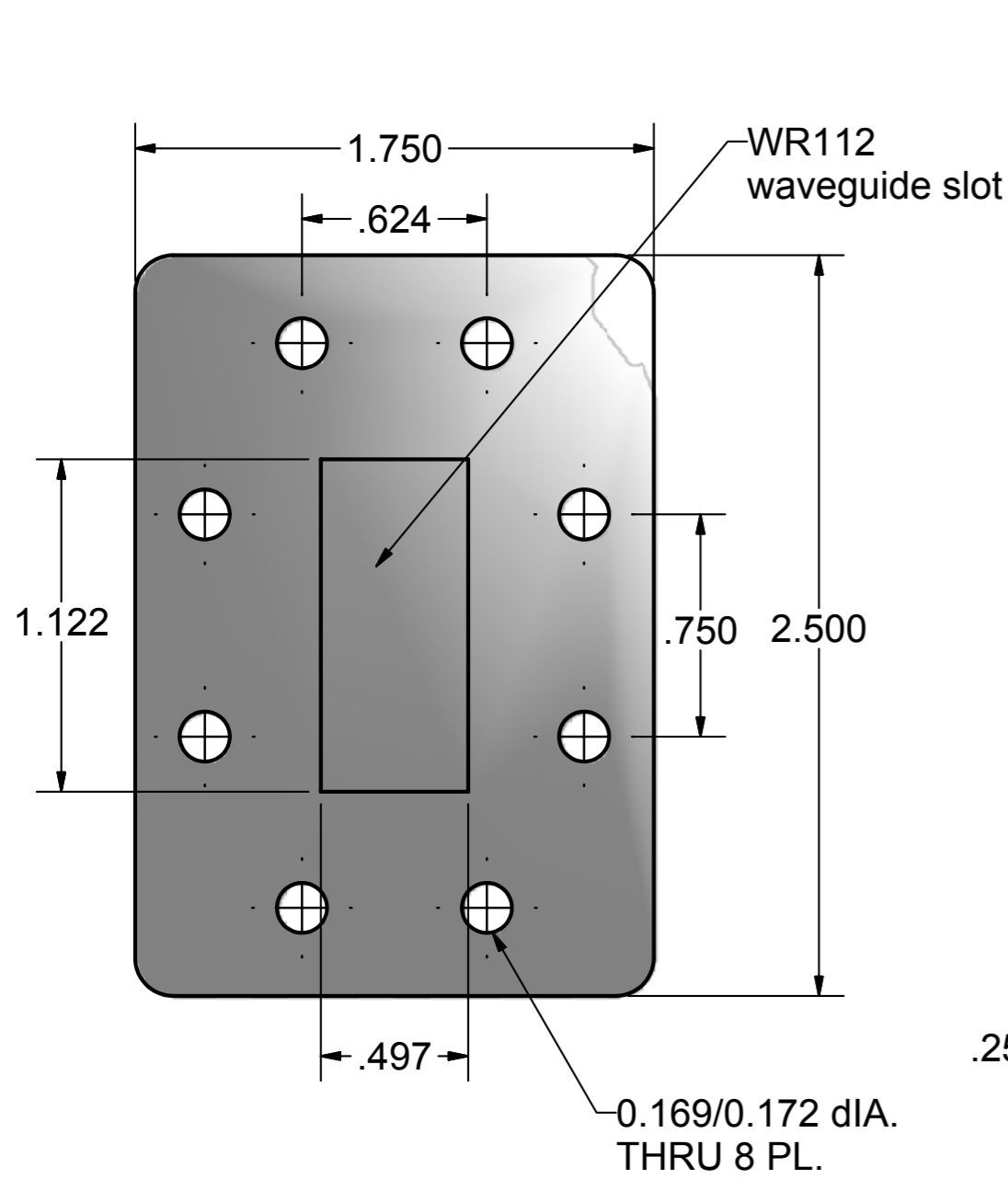


CPR112 END LAUNCH

Waveguide flange - common EXAMPLE
Other flange configurations possible
(grooved, choke, etc.)!!



ENGINEER	F. Maqbool	2/6/09
QA/checked	Amanda Tappin	2/6/09
MFG/checked	Richard Peterson	2/6/09
GEN. MANAGER/ approved	Richard Peterson	2/6/09
DRAWN	Shushanna Cherian	2/6/09
Unless otherwise specified, dimensions are INCHES		View: Overview - All

Amplitech Inc.
1373 Lincoln Ave
Holbrook NY 11741 USA

TITLE			
D6 + CPR112 OUTLINE PROPOSAL OPTION 1			
SIZE	CODE IDENT NO	DWG NO	REV
B	3CS43	ODD6WR112CPRG	A
SCALE		2:1	SHEET 1 OF 2

PROPRIETARY & CONFIDENTIAL PROPERTY of AMPLITECH, Inc. NO PORTION of this DRAWING/INFORMATION is to be USED or REPRODUCED WITHOUT WRITTEN PERMISSION.