



Features and Benefits

- Good Frequency Stability
- Ultra-Miniature SMD Package
- Good Phase Noise Response

Typical Applications

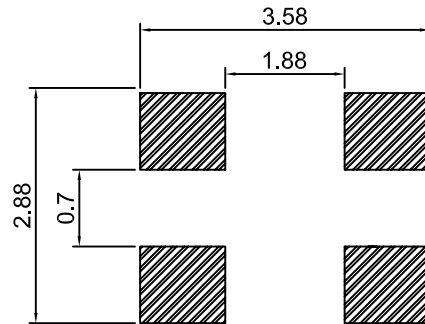
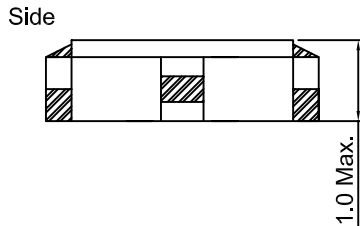
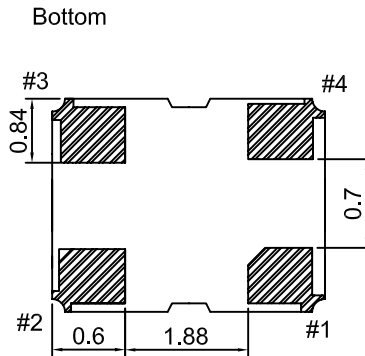
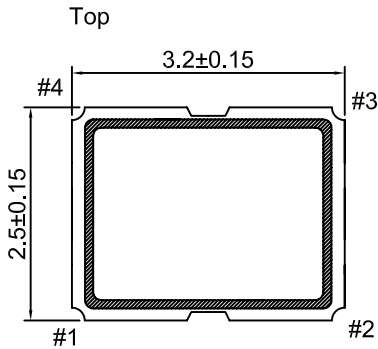
Wireless communication devices

Description

TCXO3225AO-25MHz-A-V offers low phase noise, all in a compact package to suit the different communication needs.

Mechanical Drawing & Pin Connections

Drawing No: MD1-\$\$\$* -1



Recommended soldering pattern

Pin Connections

Pin	Function
1	Control Voltage
2	GND
3	RF Output
4	Supply Voltage

Unit in mm
1mm = 0.0394 inches



Specifications

Oscillator Specification	Sym	Condition	Value			Unit	Note
			Min.	Typ.	Max.		
Operational Frequency	F_{nom}			25		MHz	
RF Output							
Signal Waveform			HCMOS				
Load		AC coupled		15		pf	
H-Level Voltage	V_H		2.64			V	
L- Level Voltage	V_L				0.5	V	
Duty Cycle			40		60	%	
Power Supply							
Supply Voltage	V_S	±5%		3.3		V	
Start-up Time					3	ms	
Current Consumption					6	mA	
Frequency Adjustment Range							
Absolute Pulling Range (APR)			±5		±15	ppm	
Control voltage	V_c		0.3	1.65	3	V	
Frequency Stability							
Frequency Accuracy		at 25°C±3°C			±1.5	ppm	At 1.65V
Vs Temperature		-40°C to 85°C		±2.5		ppm	
Vs Load		±5%		±0.3		ppm	
Vs Supply Voltage		±5%		±0.3		ppm	
Aging 1 st Year		at 25°C	-1		+1	ppm	
Environmental, Mechanical Conditions							
Operating temperature range			-40°C to 85°C				
Storage temperature range			-40°C to 85°C				