

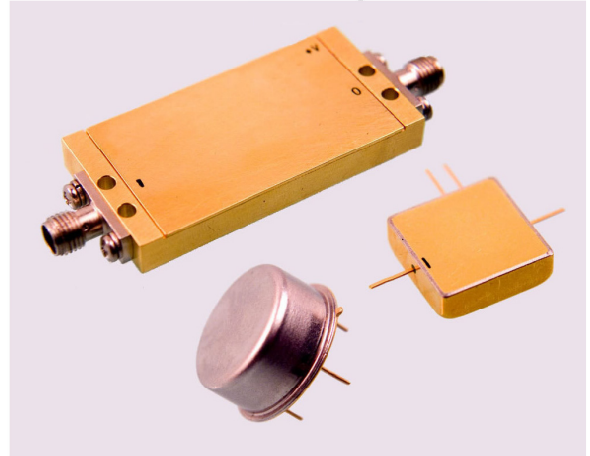
**Features: (typical values)**

- Low Distortion
- High Second Order IP2 ..... +70.0 dBm.
- High Third Order IP3 ..... +47.0 dBm.
- Low NF ..... 4.0 dB.
- Hermetic Package (Surface Mount available)

**Maximum Ratings**

Storage Temperature ..... -62°C to +125°C  
 DC Voltage ..... +20 volts  
 RF Input Power ..... +20.0 dBm.  
 Case Temperature ..... +90°C

**1-200 MHz  
 Push Pull Amplifier**



Specifications (Referenced to 50 ohms)

Parameter	Typical Conditions	Min Value	Max Value	Units
Frequency		1	200	MHz.
Gain	18	17.0	20.0	dB.
Gain Flatness	±0.5		±1.0	dB.
Gain Var. over temp	0.7			ΔdB.
Pout @ 1dB Comp	+30	+26		dBm.
Noise Figure	4.0		5.0	dB.
Reverse Isolation	22			dB.
IP <sub>3</sub> /IP <sub>2</sub> (two-tone)*	47/70	41/60		dBm.
HIP2 (2 <sup>nd</sup> harm.)	76	63		dBm.
VSWR In/Out	1.5:1		2.0:1	
Supply Required	+15/250		+18/280	v/mA.

Min. and max. values are from -55°C to +85°C

\*IP3 and IP2 are in band output intercept points

**OUTLINE WITH SMA-F**

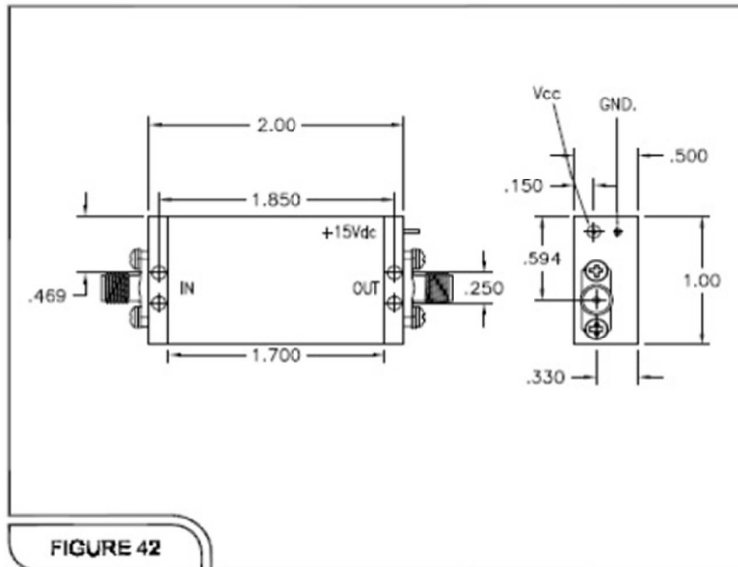


FIGURE 42

## Typical Performance Curves

■ -55°C    ◆ -+25°C    ▲ -+85°C

