

APTMP3-00400270-4024-D9-WB

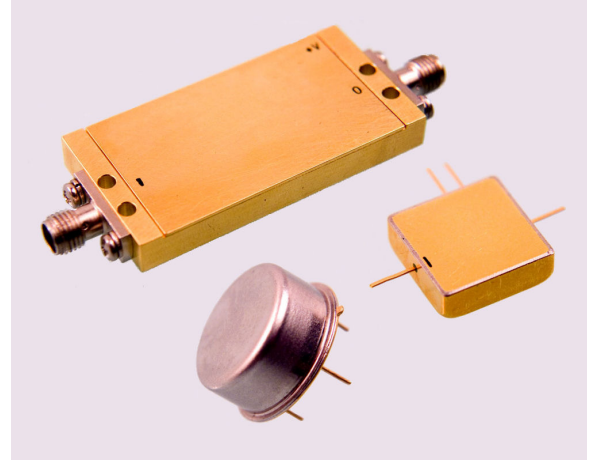
Features: (typical values)

- Wideband 400-2700 MHz
- High Second Order IP2 +55.0 dBm.
- High Third Order IP3 +40.0 dBm.
- High Gain..... +22 dB
- Low Noise + 4.0 dB

Maximum Ratings

- Storage Temperature -55°C to +125°C
- DC Voltage +17 volts
- RF Input Power +15.0 dBm.
- Case Temperature +95°C

**400-2700 MHz
Wideband Amplifier**

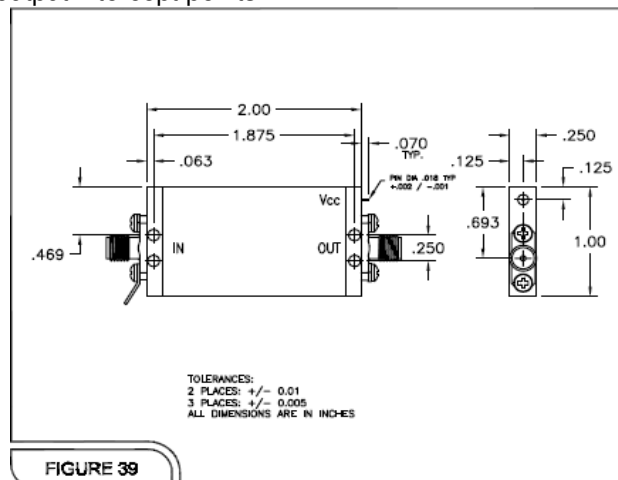


Specifications (Referenced to 50 ohms)

Parameter	Typical Conditions	Min Value	Max Value	Units
Frequency		400	2700	MHz.
Gain	22	20		dB.
Gain Flatness	±0.3		±1.0	dB.
Gain Var. over temp.	0.5			ΔdB.
Pout @ 1dB Comp	+24	+22		dBm.
Noise Figure	4.0		5.0	dB.
Reverse Isolation	30			dB.
IP ₃ /IP ₂ (two tone)*	40/55	35/50		dBm.
HIP2 (2 nd harm.)	60			dBm.
VSWR In/Out	1.5:1		2.0:1	Ratio
Supply Required	+15/200		+15V/250	v/mA

Min. and max. values are from 0°C to +85°C

*IP3 and IP2 are in band output intercept points



APTMP3-00400270-4024-D9-WB

Typical Performance Curves @

■ -0°C ◆ -+25°C ▲ -+85°C

